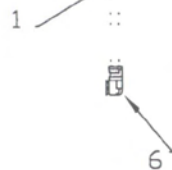
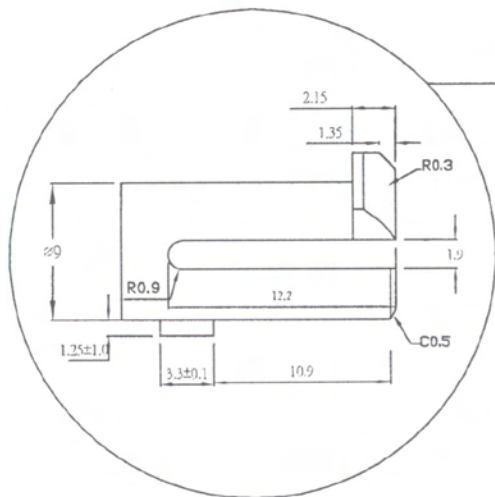
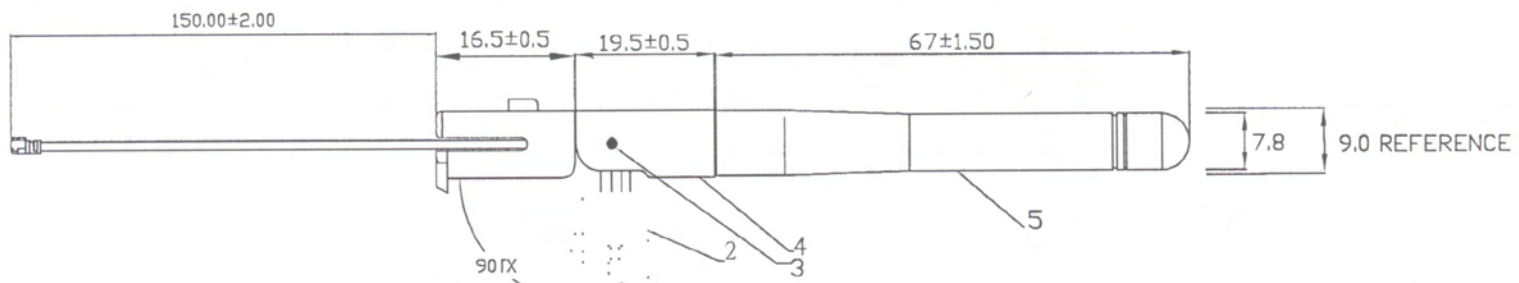
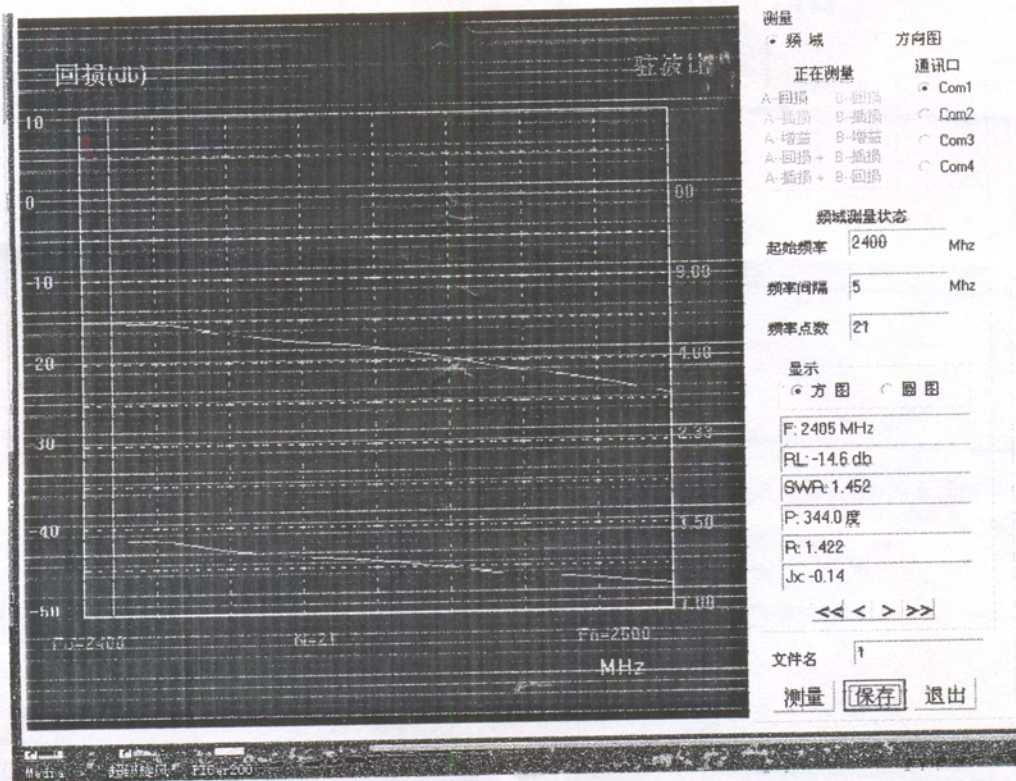


1.	WORKING FREQUENCY	2.400-2.500GHz
2.	ELECTRIC WAVE	$1/2 \lambda$: DIPOLE
3.	IMPEDANCE	50 Ohm , Nominal
4.	V.S.W.R	2.0 MAX
5.	GAIN	2.0 dBi
6.	RADIATION	0 mni
7.	POLARIZATION	VERTICAL
8.	POWER HANDLING	1 W MAX
9.	OPERATING TEMPERATURE	-20°C -- +70°C



驻波比 (SWR)



阻抗

