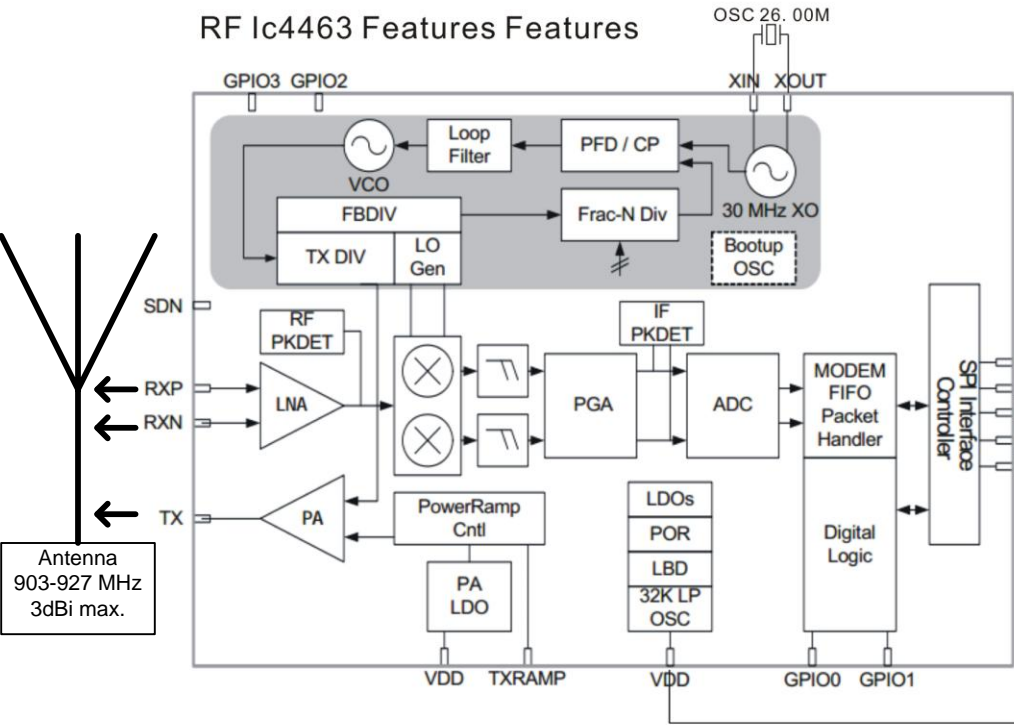


RF Ic4463 Features Features



MCU STM8L151G

