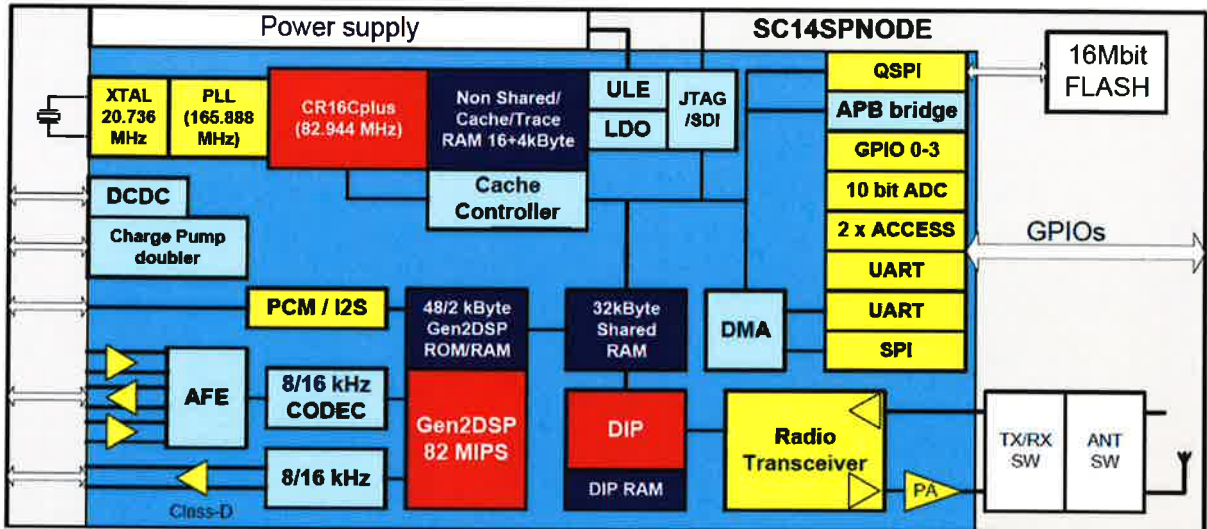


Block diagram SC14SPNODE;



Dated this 23 Day of October 20 13

By:  Frank van den Dungen
Signature Printed

Title: Program manager DECT ULE

On behalf of: Dialog Semiconductor

Telephone: +31736408249

