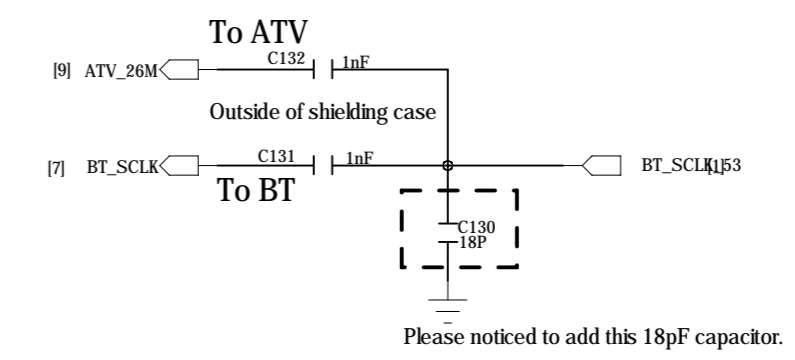
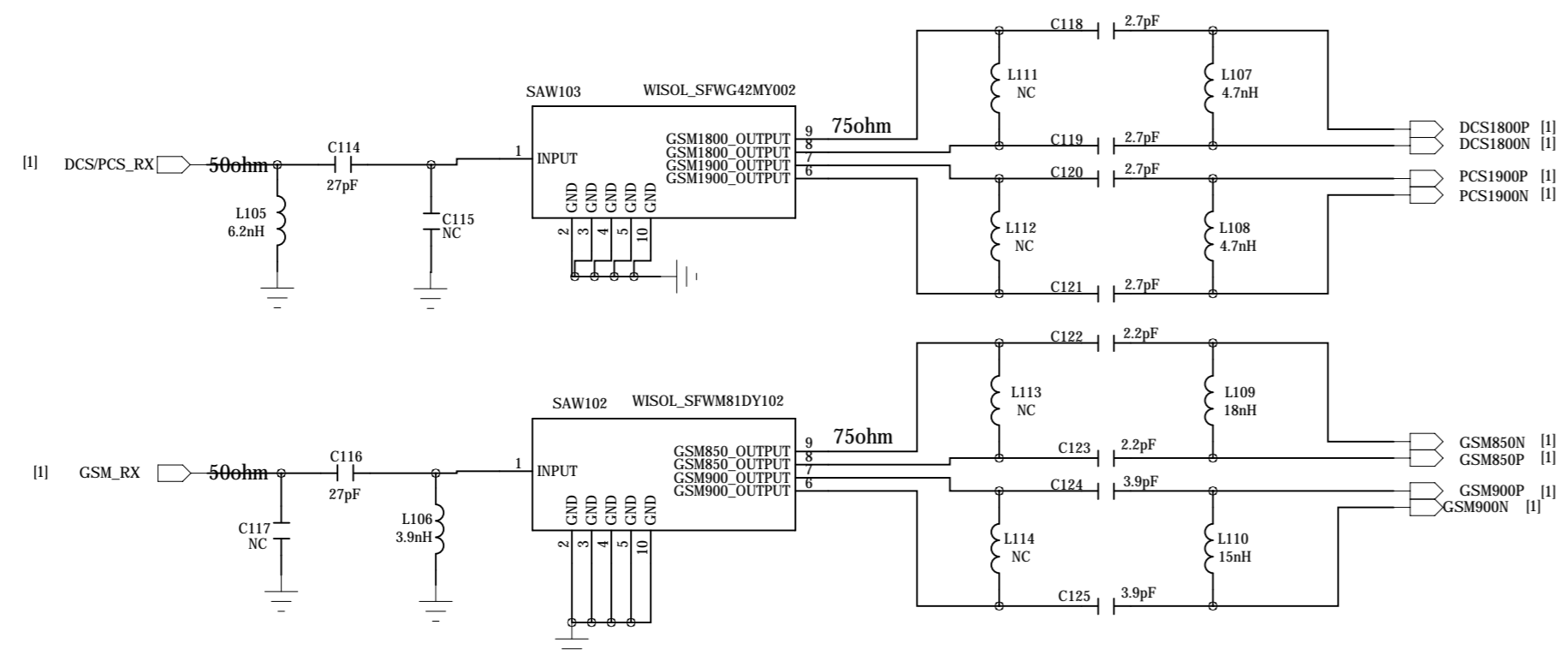
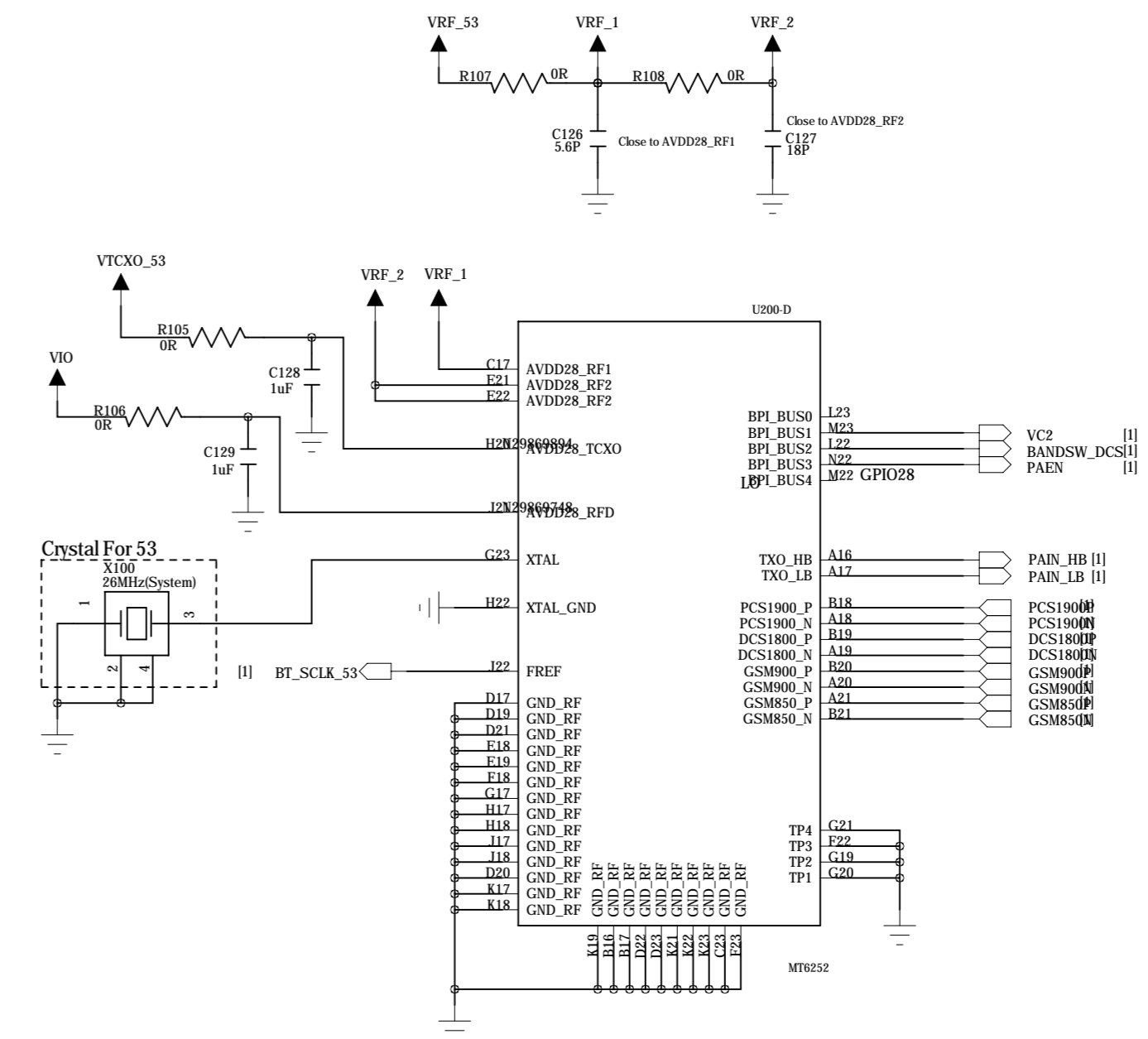
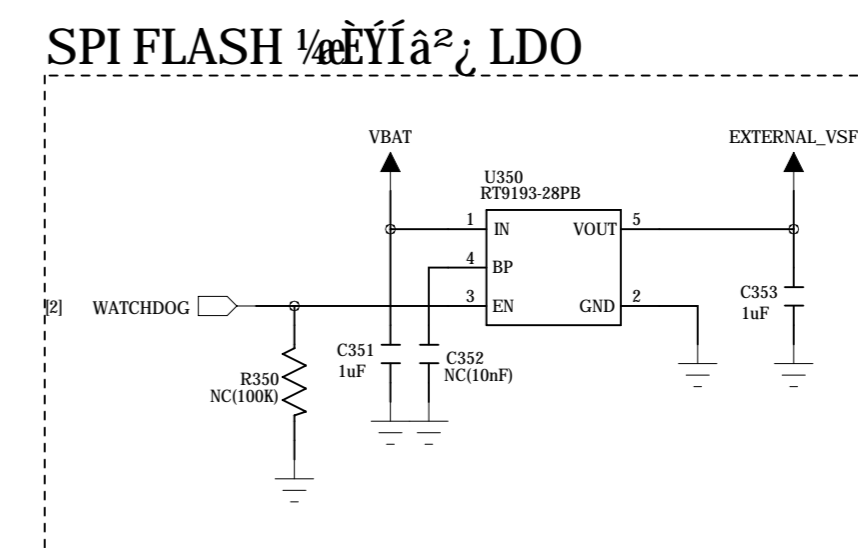
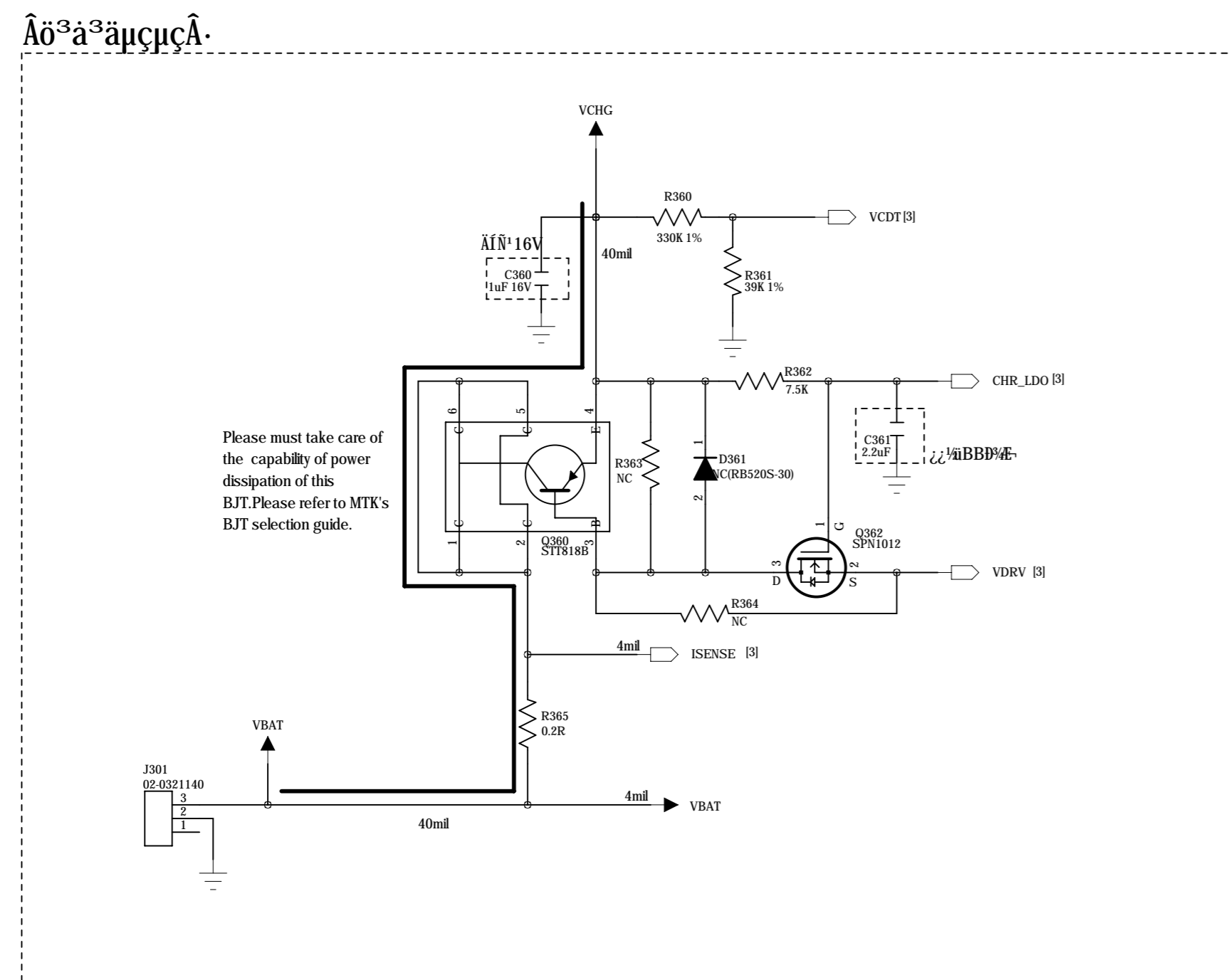
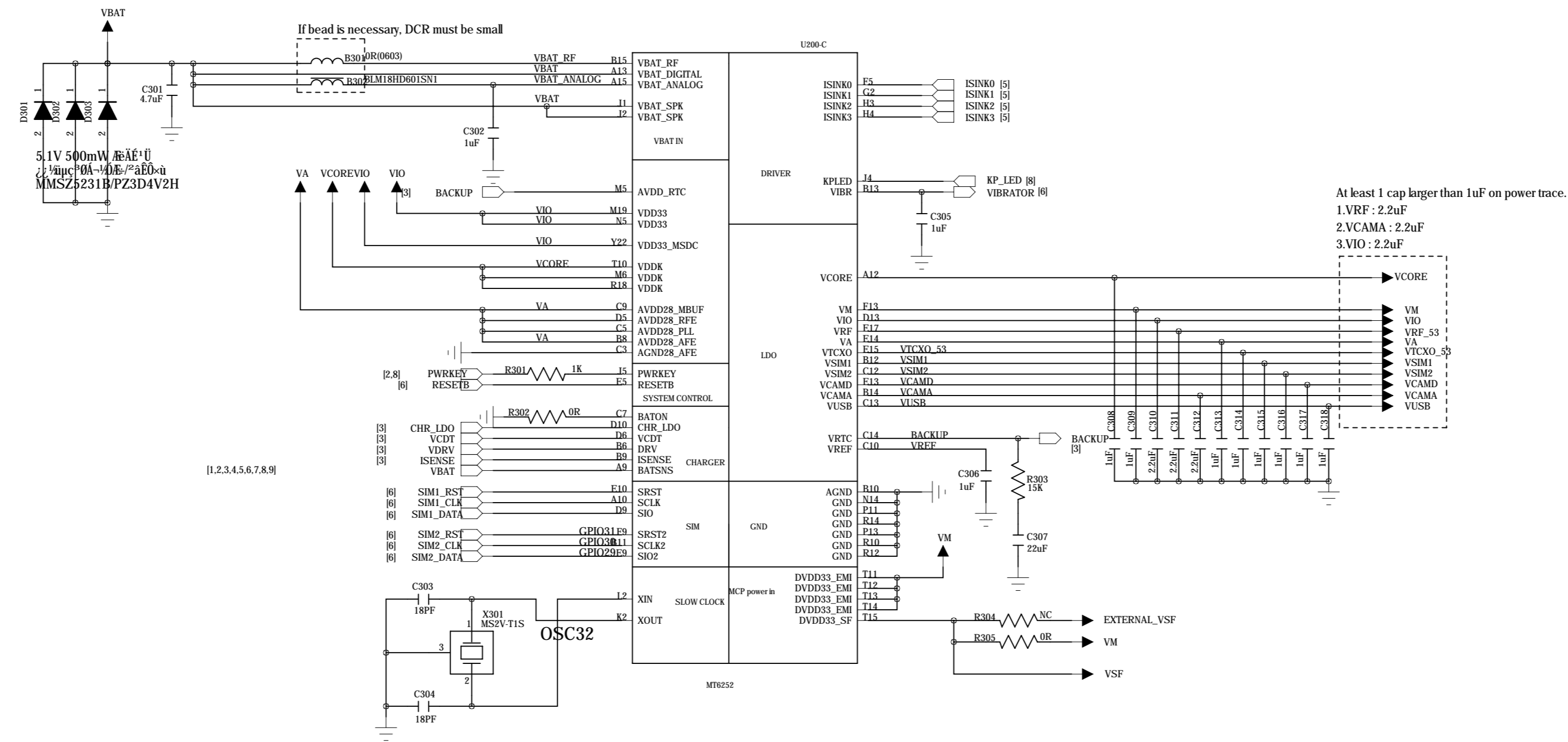


SH100



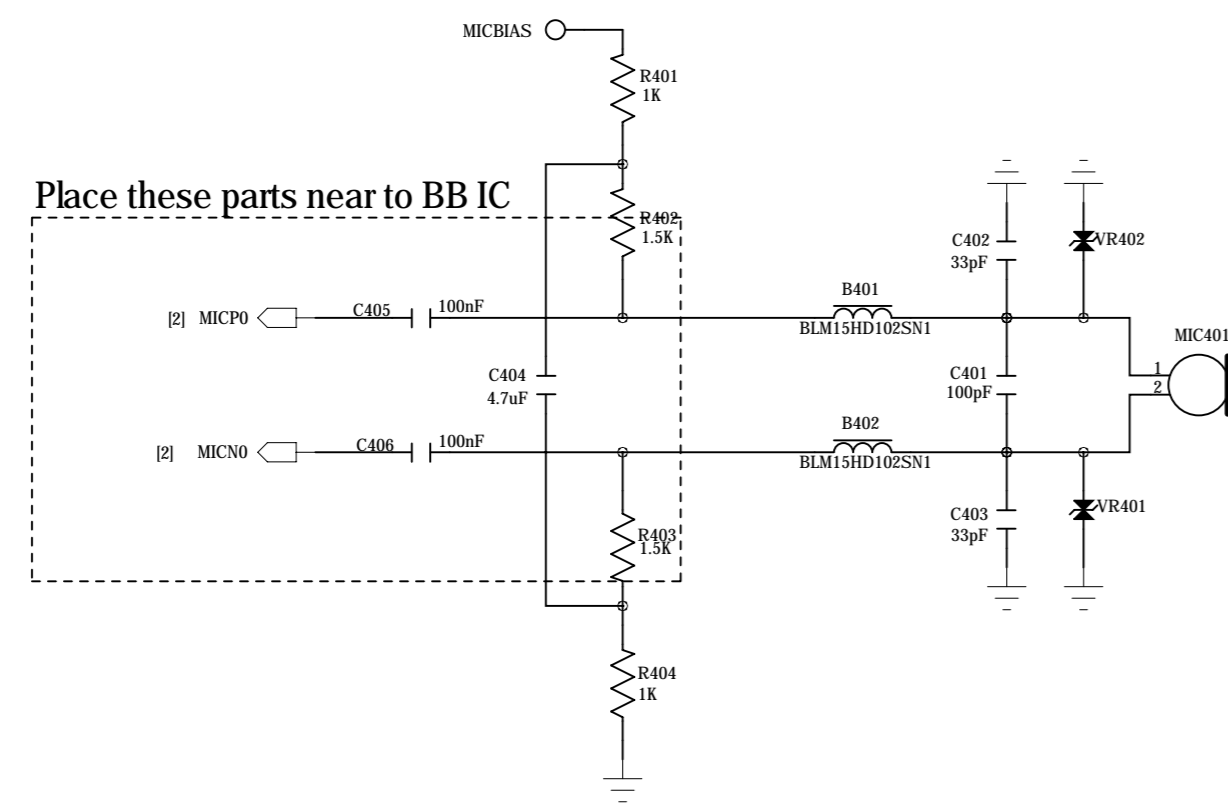
TITLE:	H501(6252)	REV:	V1.0
DOCUMENT NO.:	1.RF	SIZED:	A1
DEPARTMENT:	Hardware DEPT.		
COMPANY:	HAICHEN		
DESIGNER:	<He Haitao>	Last Saved Date:	<undefined>
SHEET:	1	OF	10



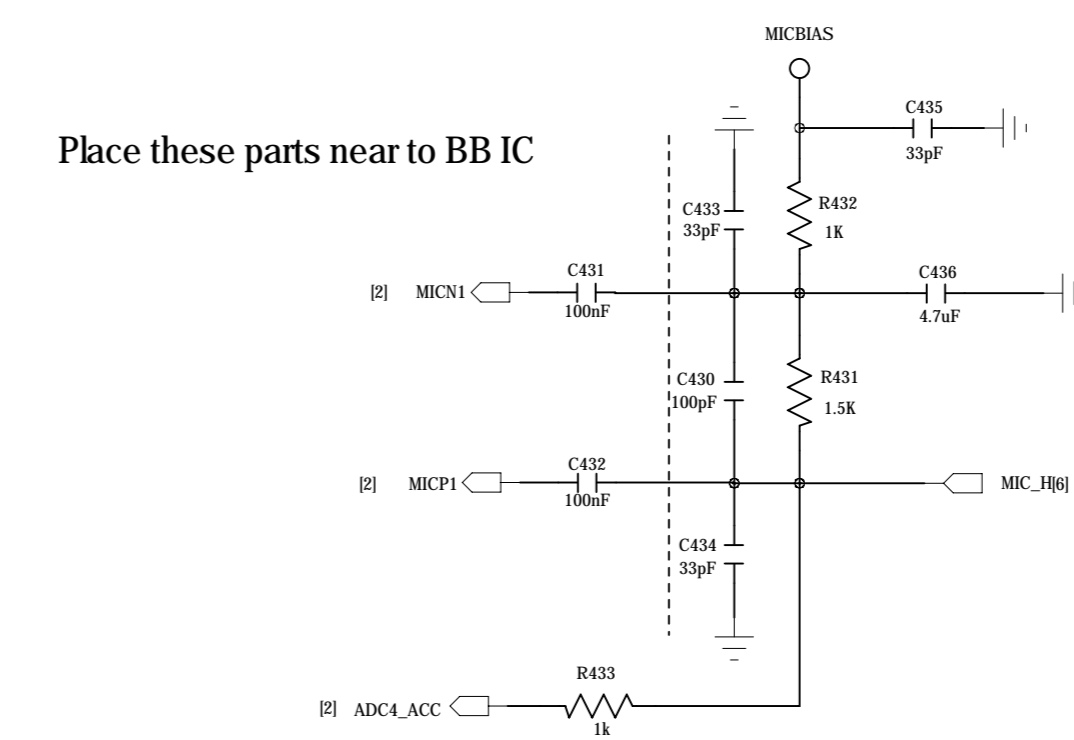


TITLE:	H501(6252)	REV:	V1.0
DOCUMENT NO.:	3.MT6252_POWER	SIZED:	A1
DEPARTMENT:	Hardware DEPT.		
COMPANY:	HAICHEN		
DESIGNER:	<He Haha>	Last Saved Date:	<undefind>
		SHEET:	3 OF 10

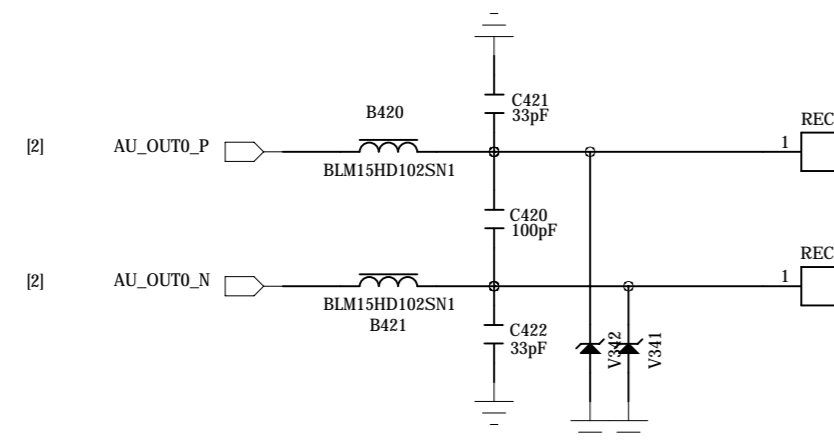
# MICROPHONE



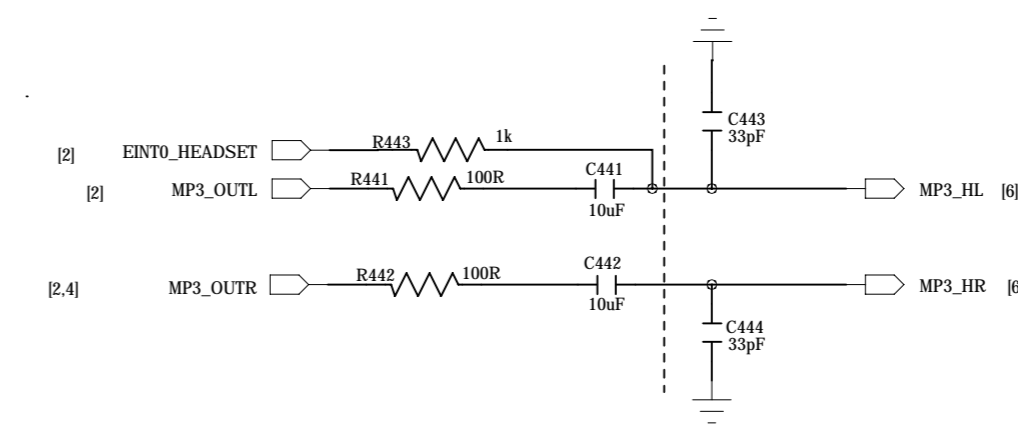
# HEADSET MICROPHONE



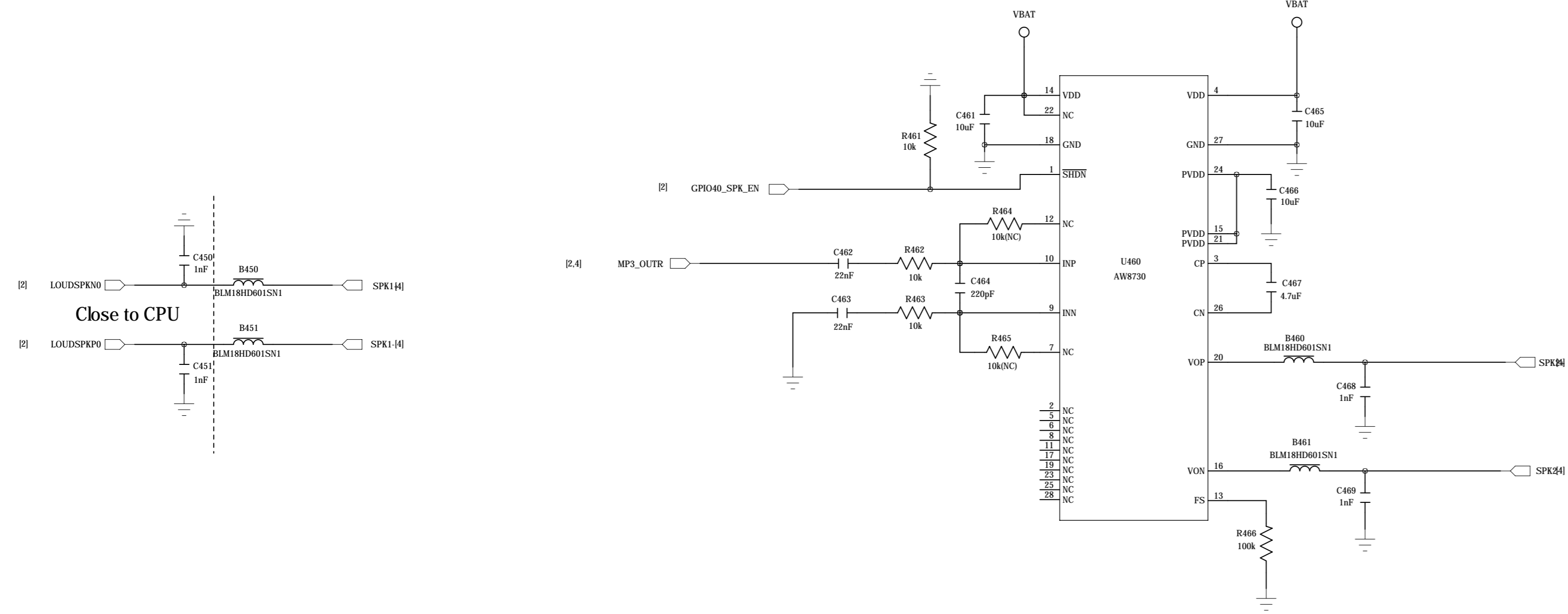
# Receiver



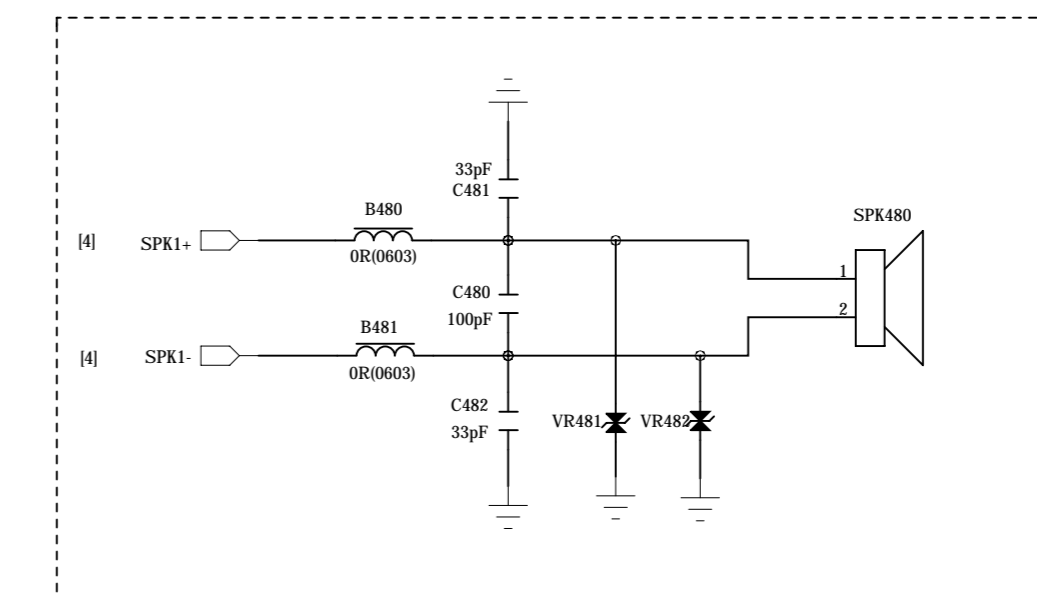
# HEADSET L/R



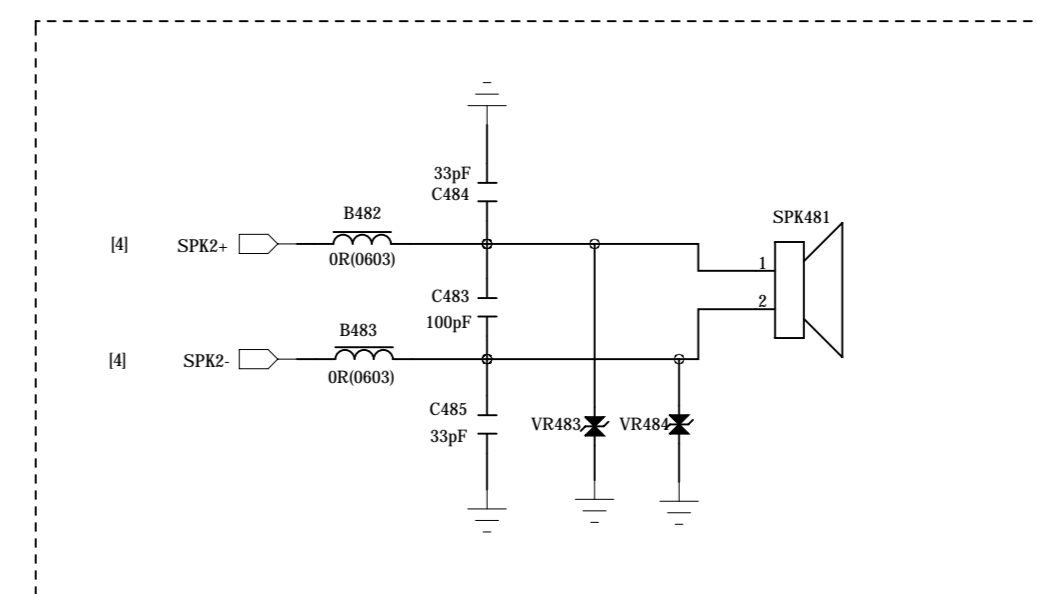
# AW8731



# Loudspeaker 1



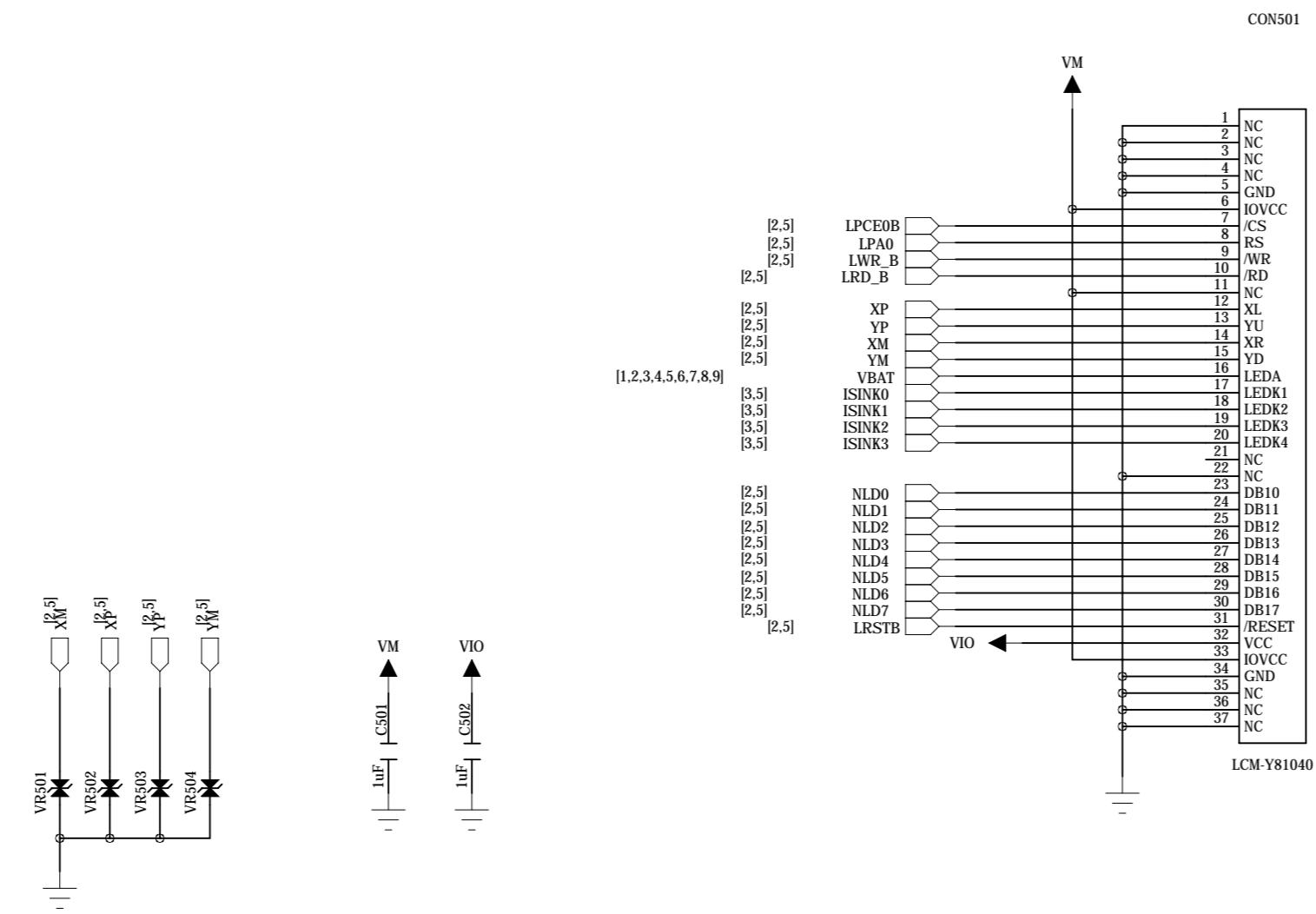
# Loudspeaker 2



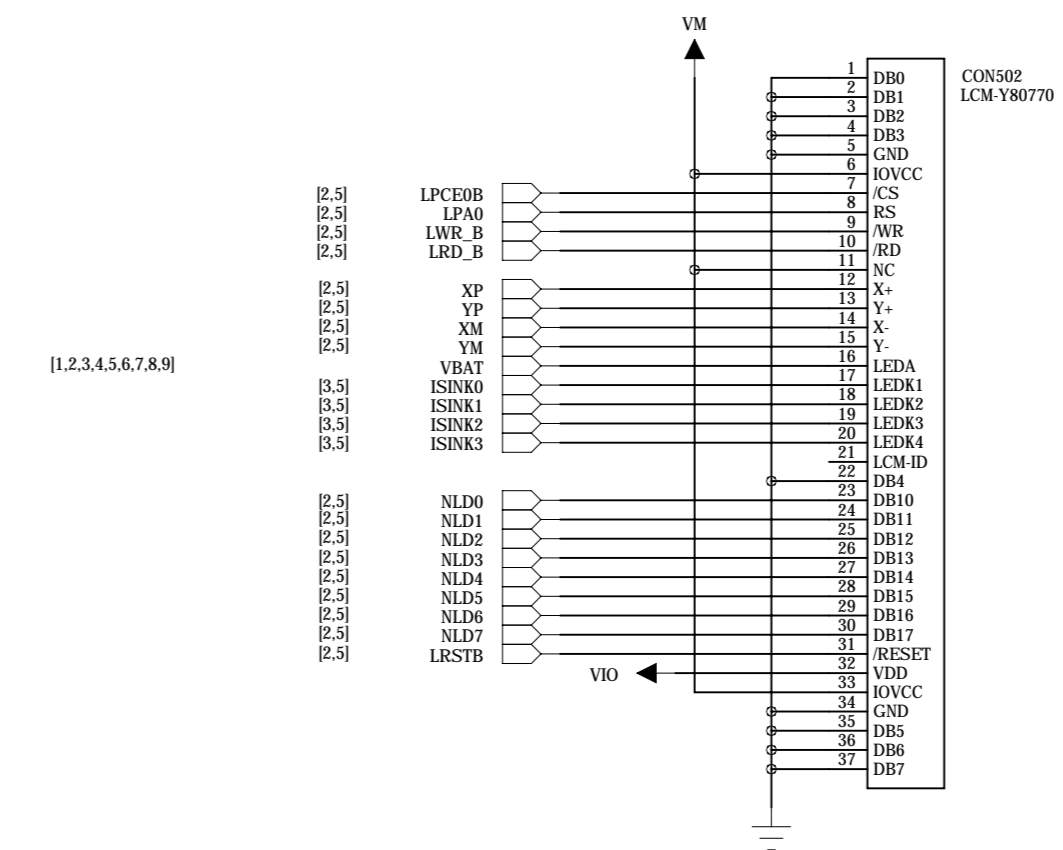
TITLE:	H501(0252)	REV:	V1.0
DOCUMENT NO.:	4.AUDIO	SIZED:	A1
DEPARTMENT:	Hardware DEPT.		
COMPANY:	HAICHEN		
DESIGNER:	<He Haihao>	Last Saved Date:	<undefined>
		SHEET:	4 OF 10

# LCM Interface

## 2.8 LCM



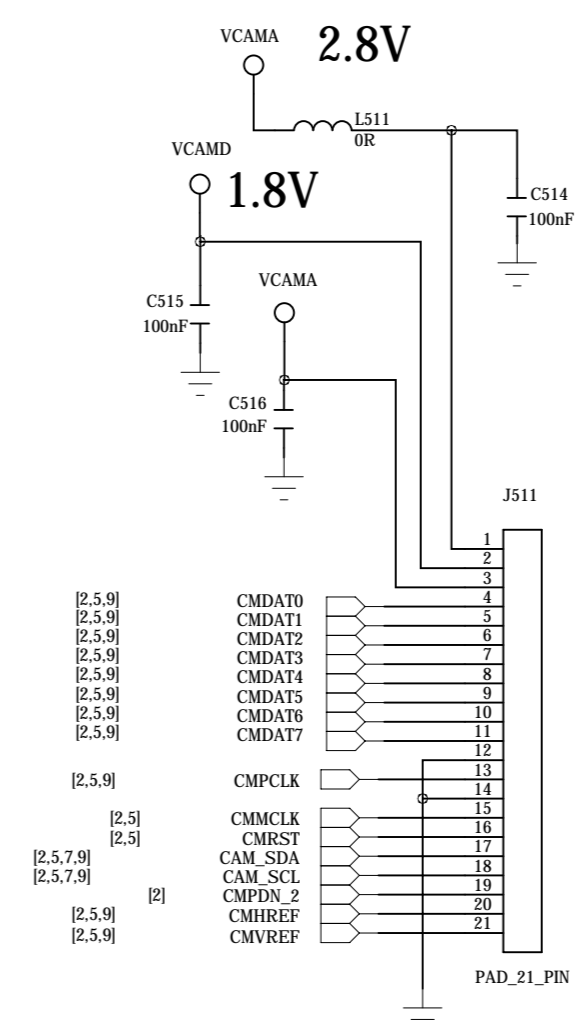
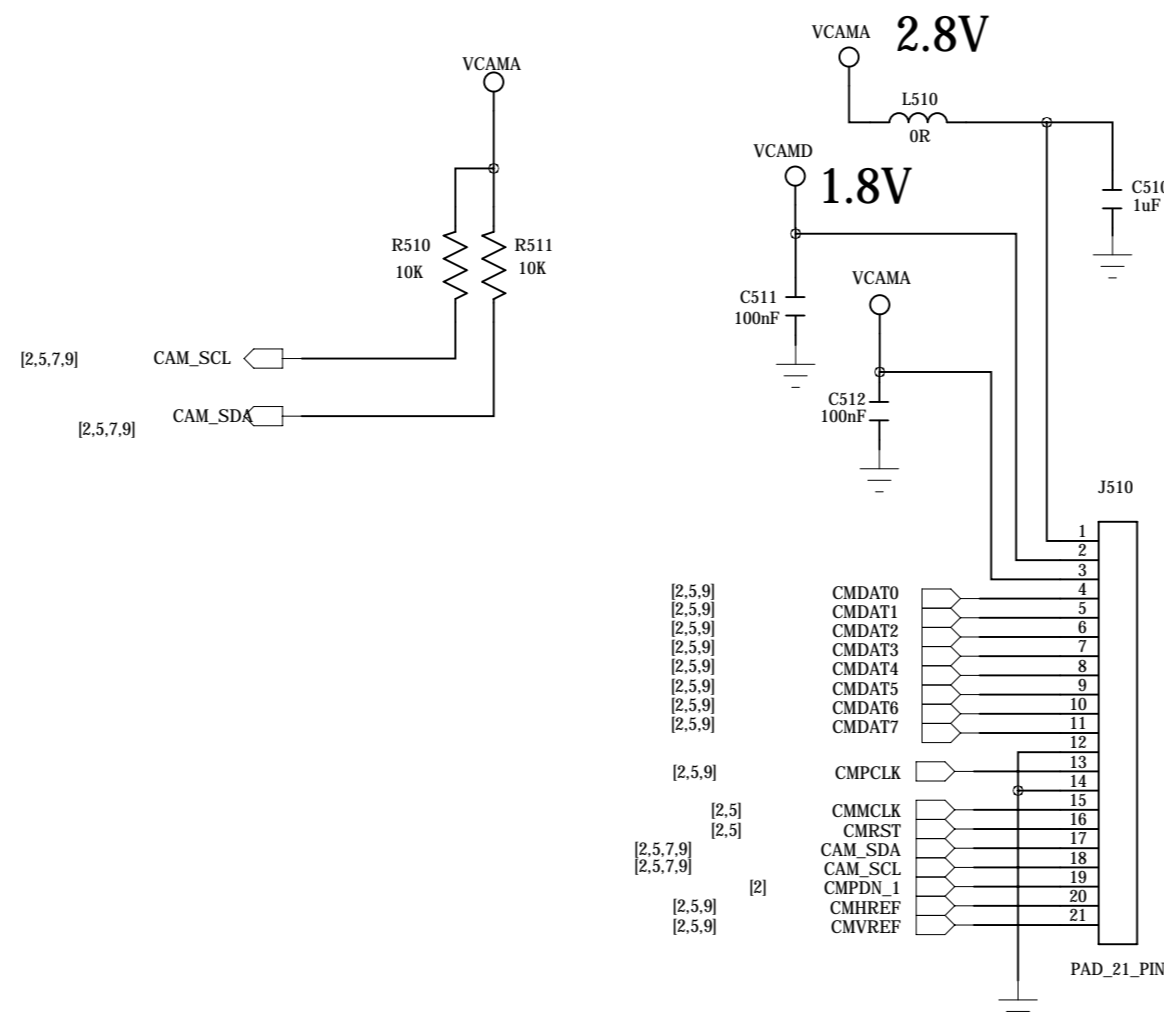
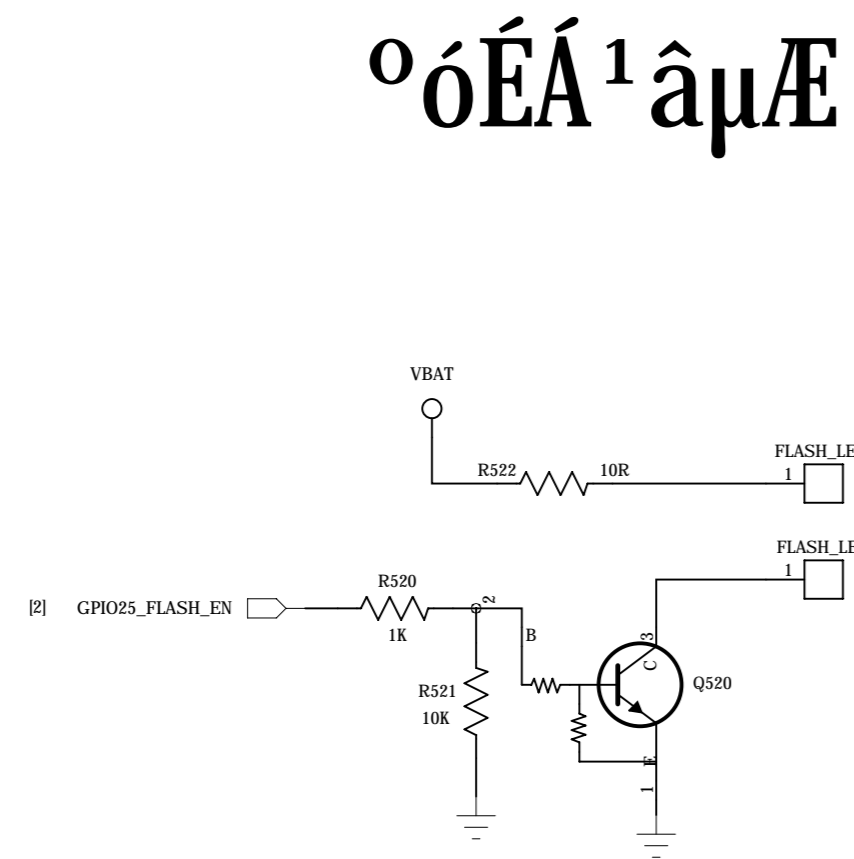
## 2.6 LCM



IO:1.8V  
VCI:2.8V

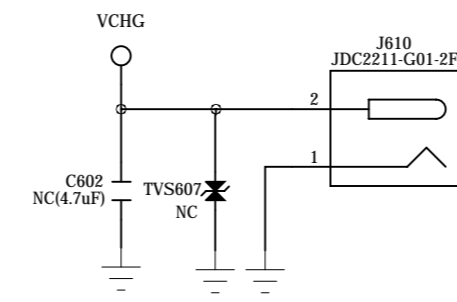
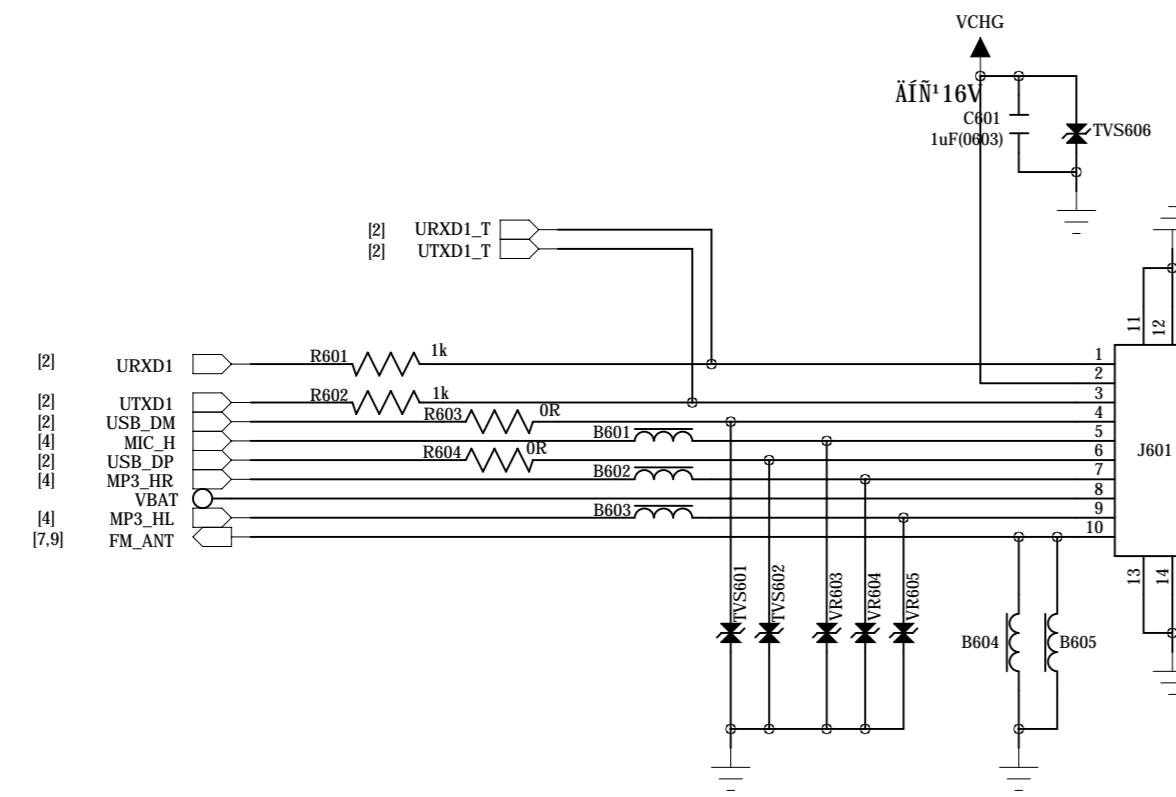
## BACK CAMERA

## FRONT CAMERA

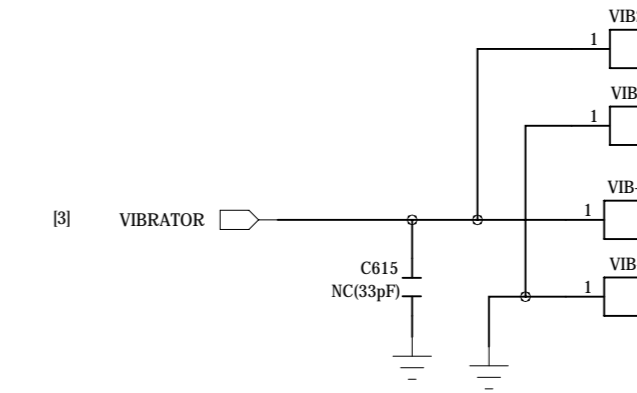


TITLE:	H501(6252)	REV:	V1.0
DOCUMENT NO.:	5.LCD_CAM	SIZED:	A1
DEPARTMENT:	Hardware DEPT.		
COMPANY:	HAICHEN		
DESIGNER:	<He Hatao>	Last Saved Date:	<undefined>
		SHEET:	5 OF 10

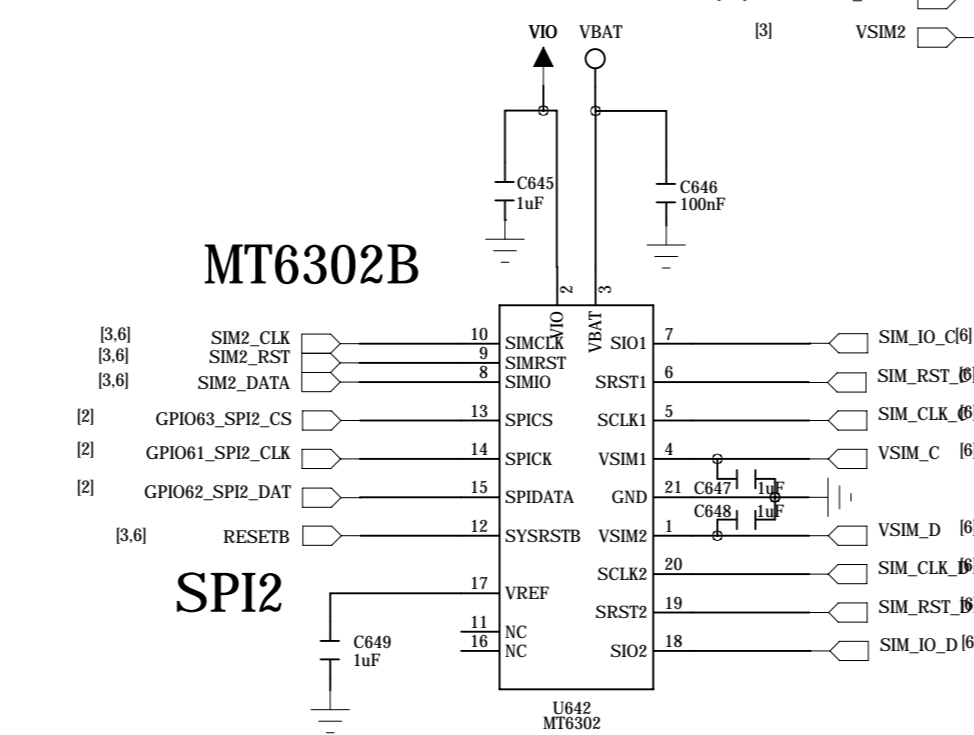
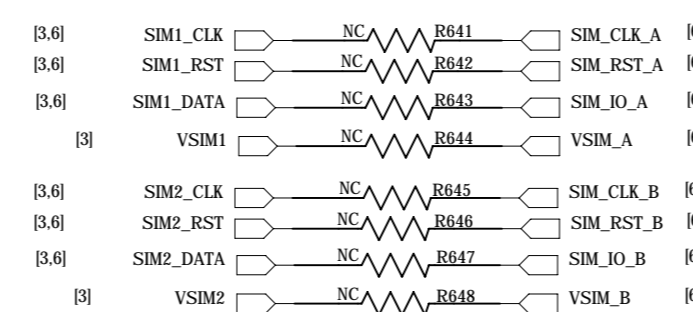
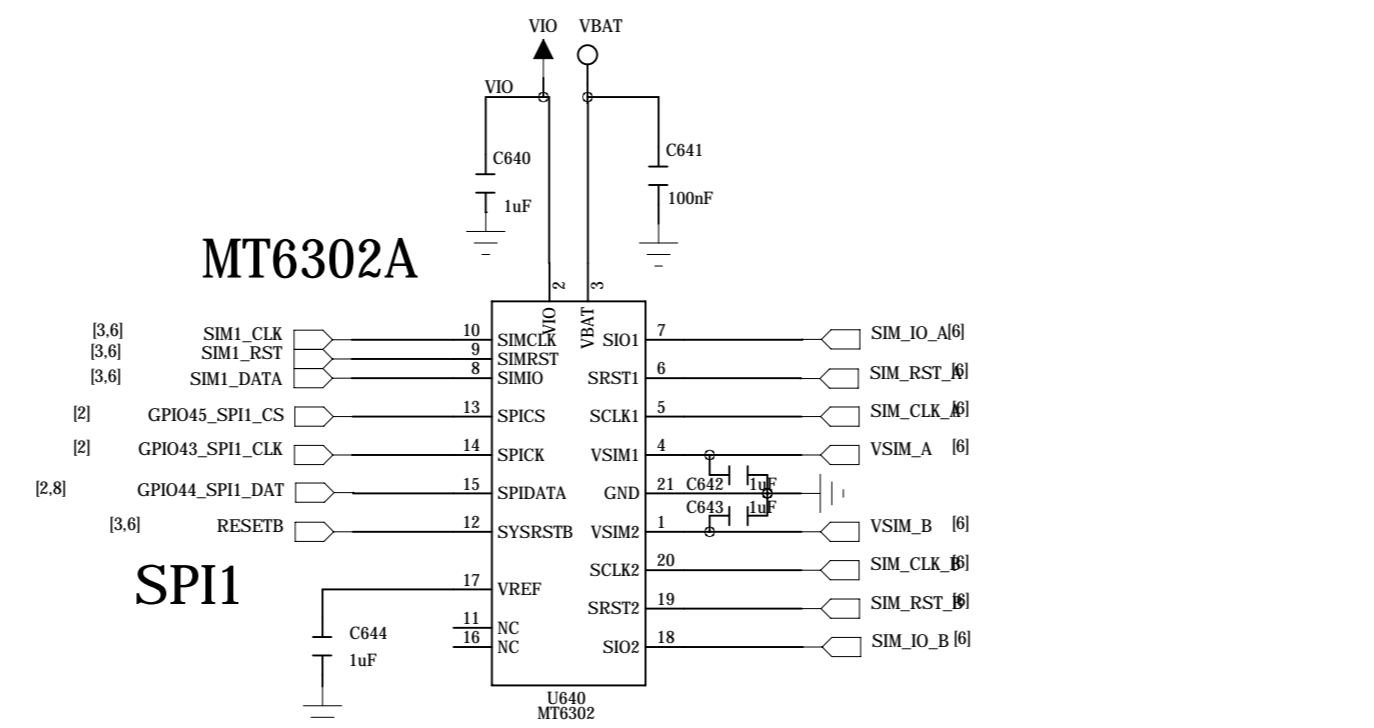
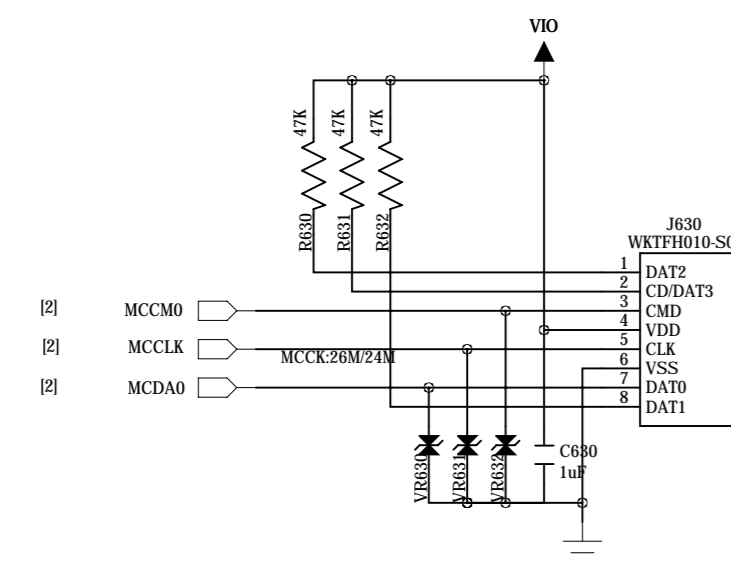
# IO CONN.



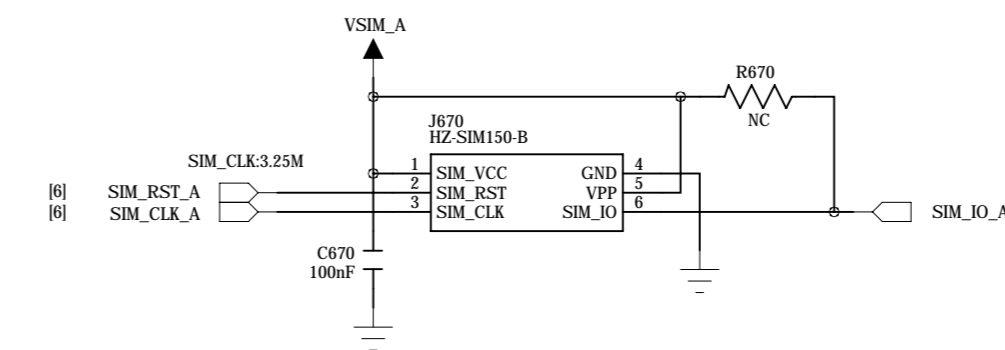
# VIBRATOR



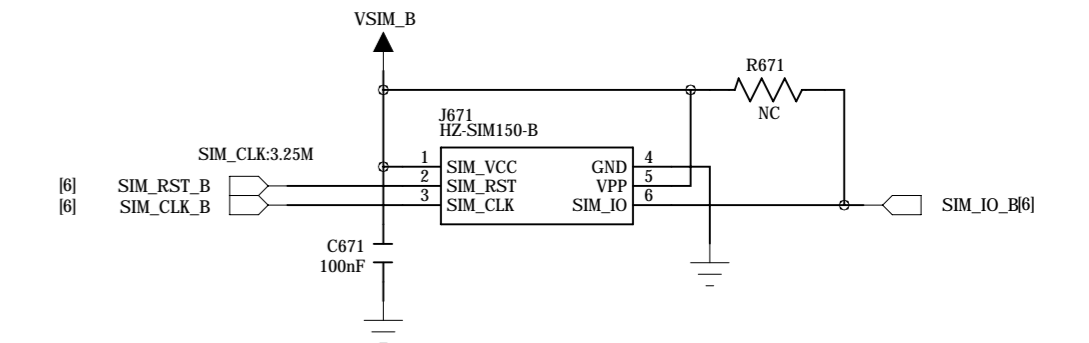
# T FLASH



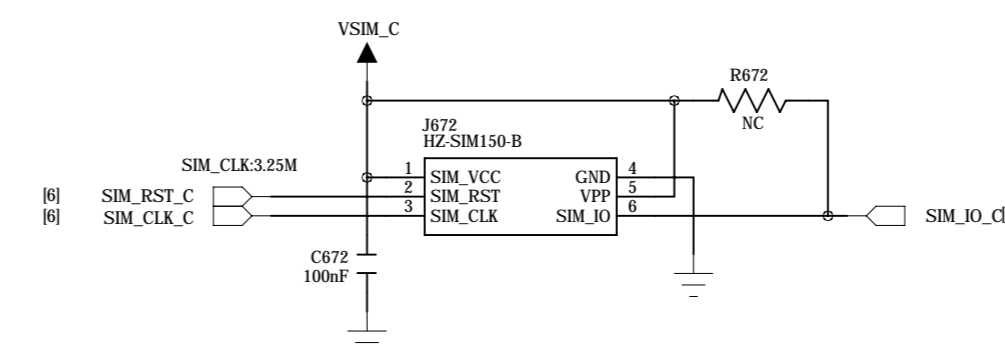
# SIM A



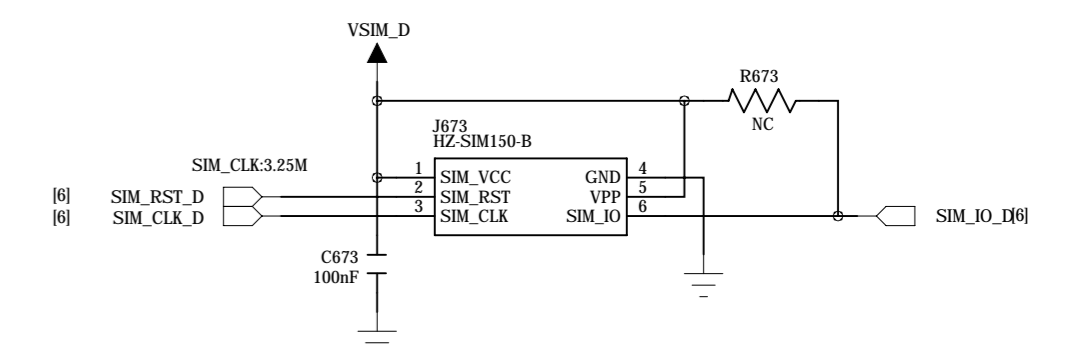
# SIM B



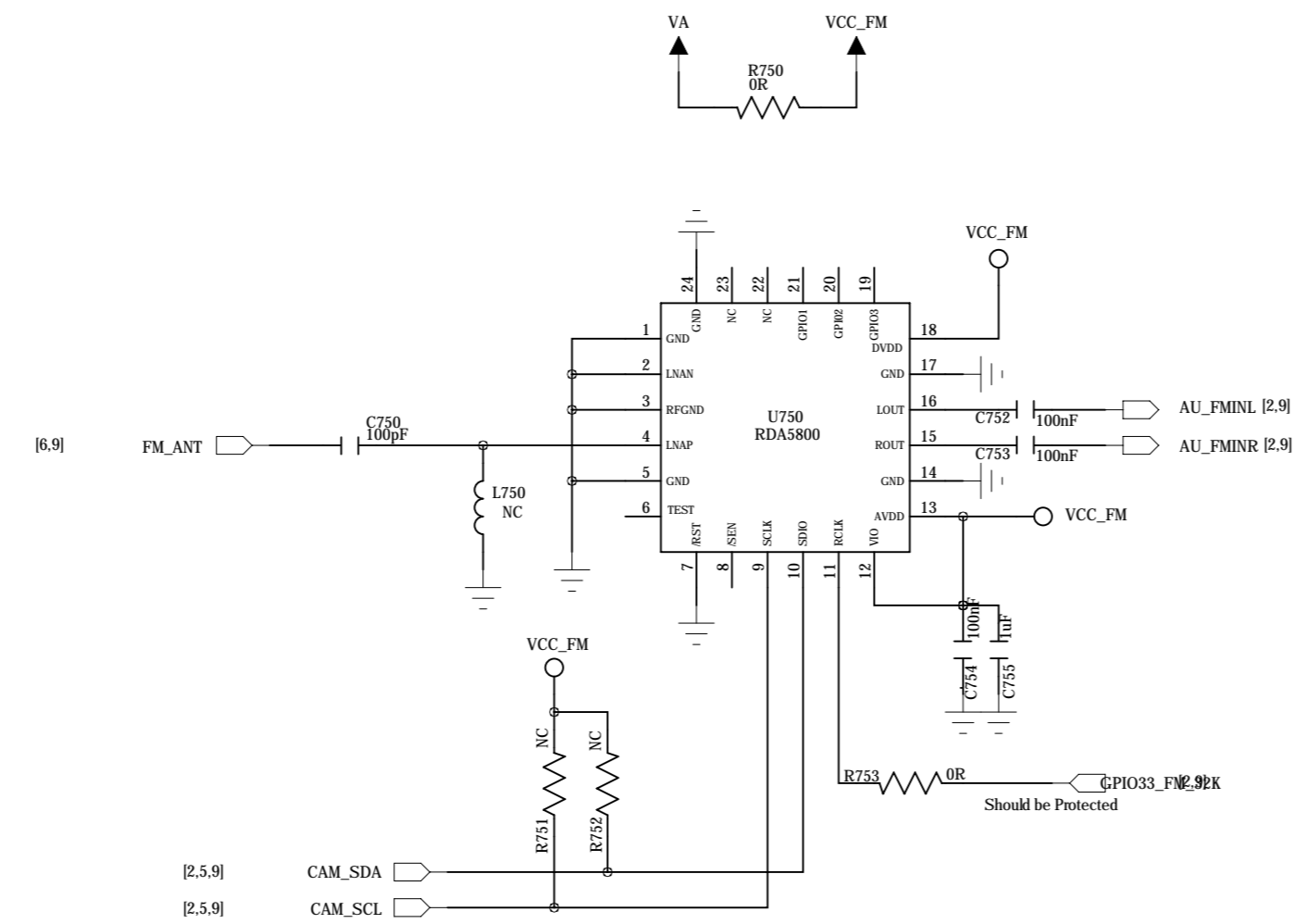
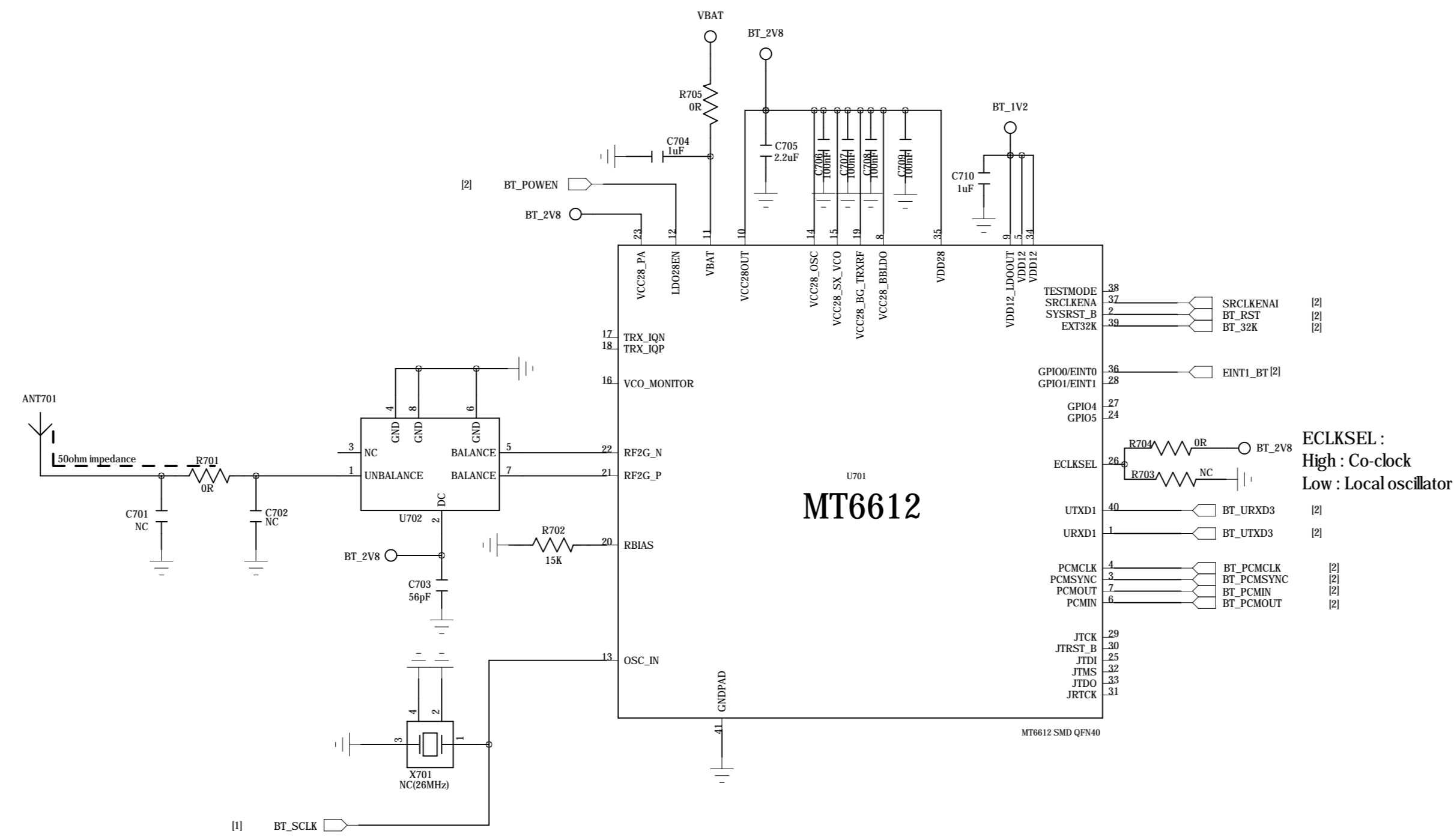
# SIM C



# SIM D



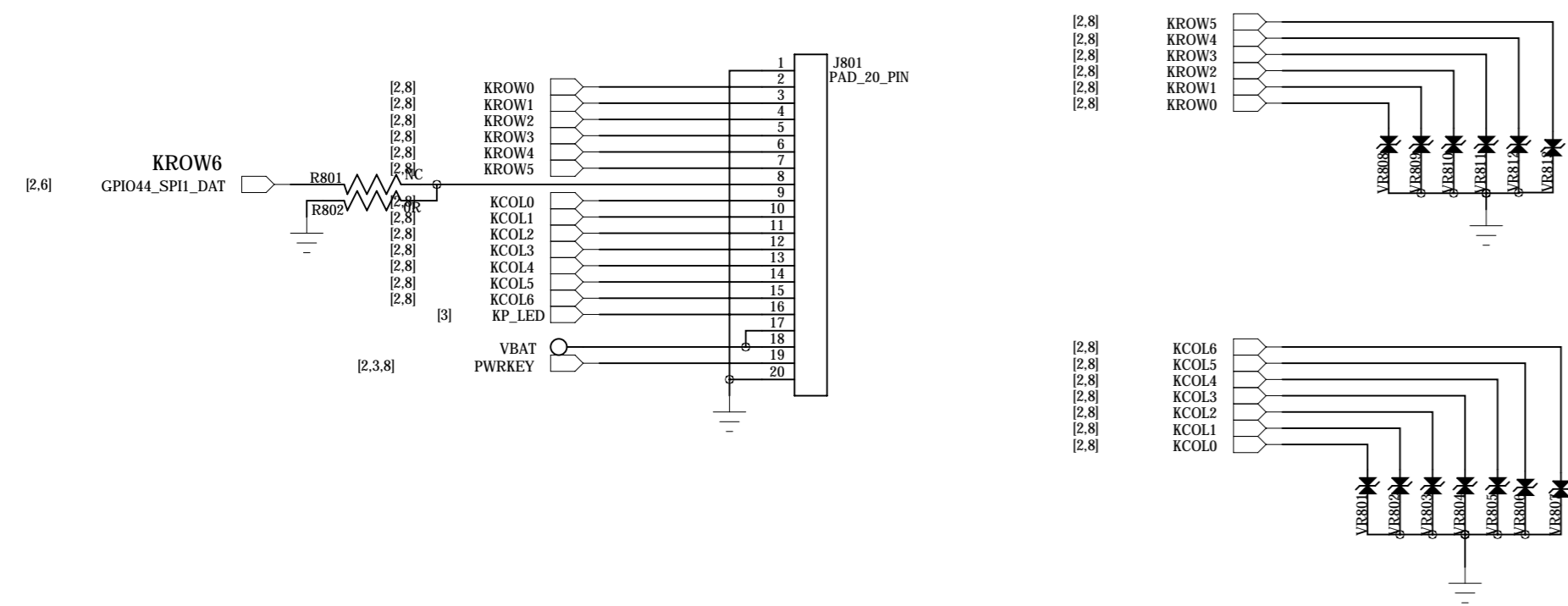
TITLE:	H501(6252)	REV:	V1.0
DOCUMENT NO.:	6.INTERFACE	SIZED:	A1
DEPARTMENT:	Hardware DEPT.		
COMPANY:	HAICHEN		
DESIGNER:	<He Haitao>	Last Saved Date:	<undefined>
		SHEET:	6 OF 10



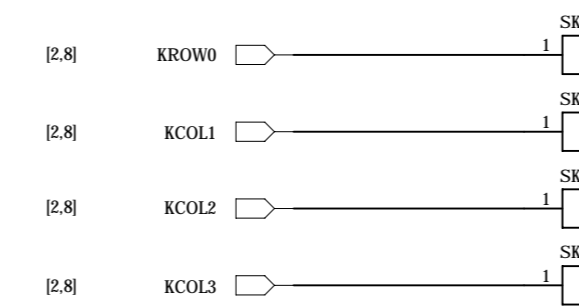
TITLE:	H501(6252)	REV:	V1.0
DOCUMENT NO.:	7.BT	SIZED:	A1
DEPARTMENT:	Hardware DEPT.		
COMPANY:	HAICHEN		
DESIGNER:	<He Haikao>	Last Saved Date:	<undefind>
		SHEET:	7 OF 10

# KEY BOARD

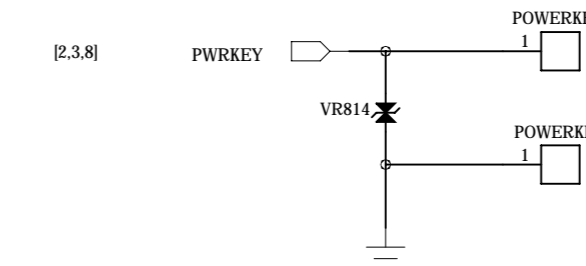
7\*(6+GND)



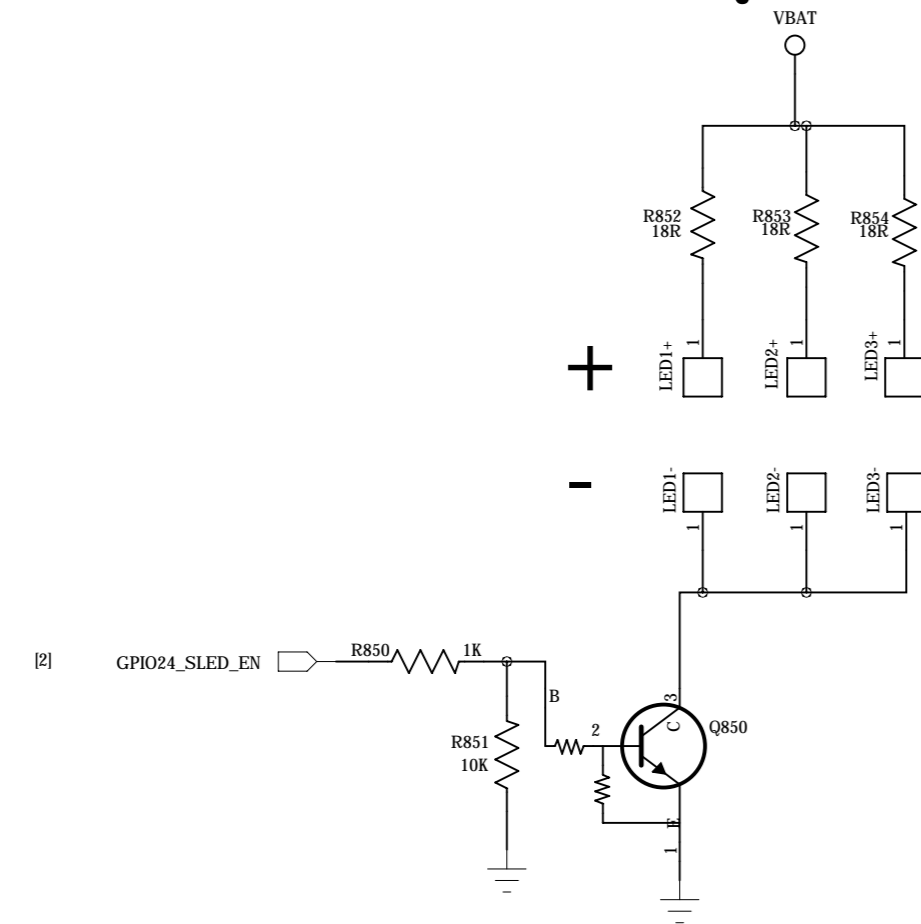
# SIDE KEY



# POWER KEY



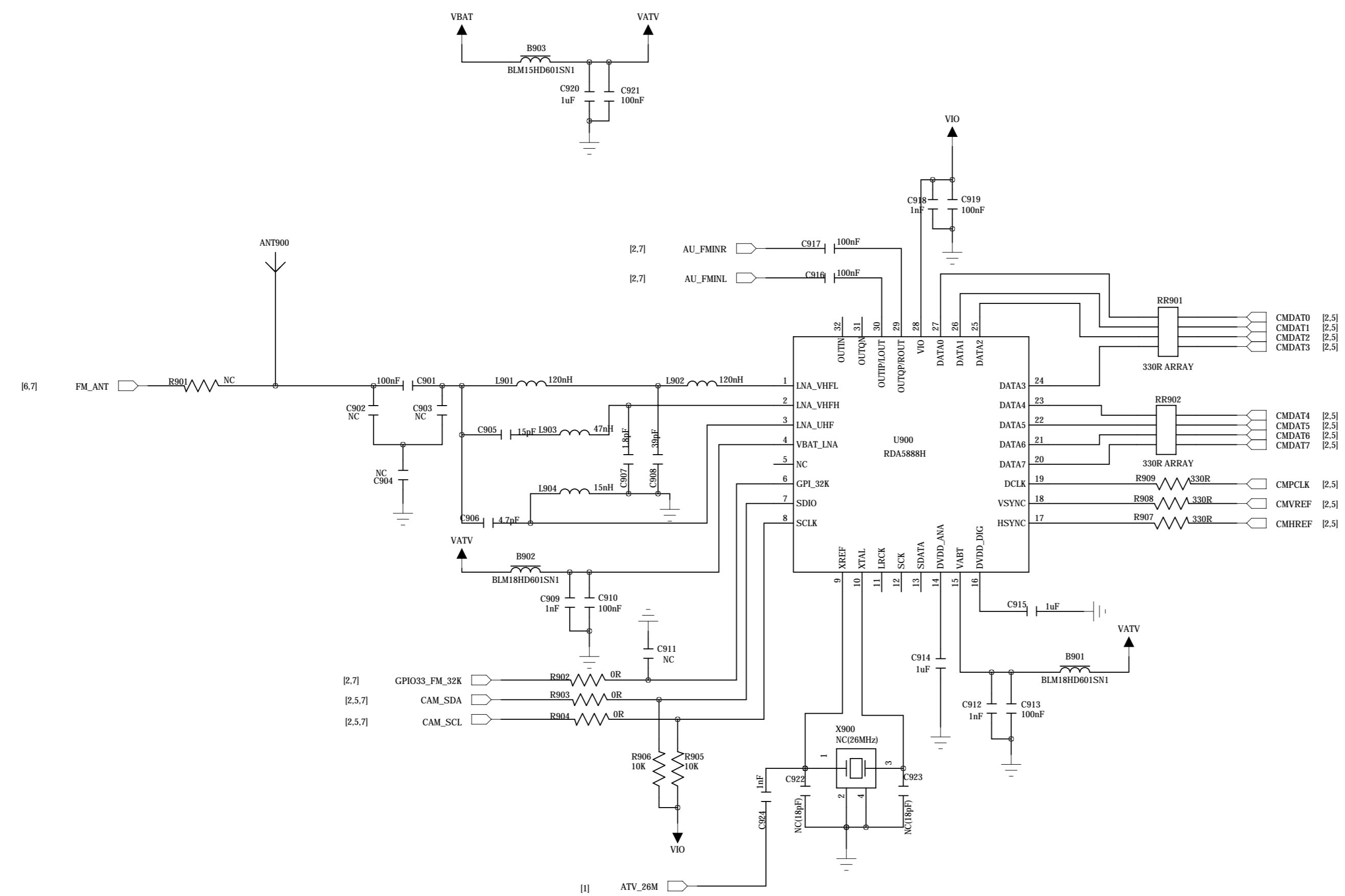
# LEDS



TITLE:	H501(6252)	REV:	V1.0
DOCUMENT NO.:	8.KEY	SIZED:	A1
DEPARTMENT:	Hardware DEPT.		
COMPANY:	HAICHEN		
DESIGNER:	<He Hakkao>	Last Saved Date:	<undefind>
		SHEET:	8 OF 10



# ATV RDA5888H



**2011-30-02:**

1:RF PA ADD 0806 CAP  
2:RF BAND PN Swap

**2011-30-03:**

1:RF delet L104