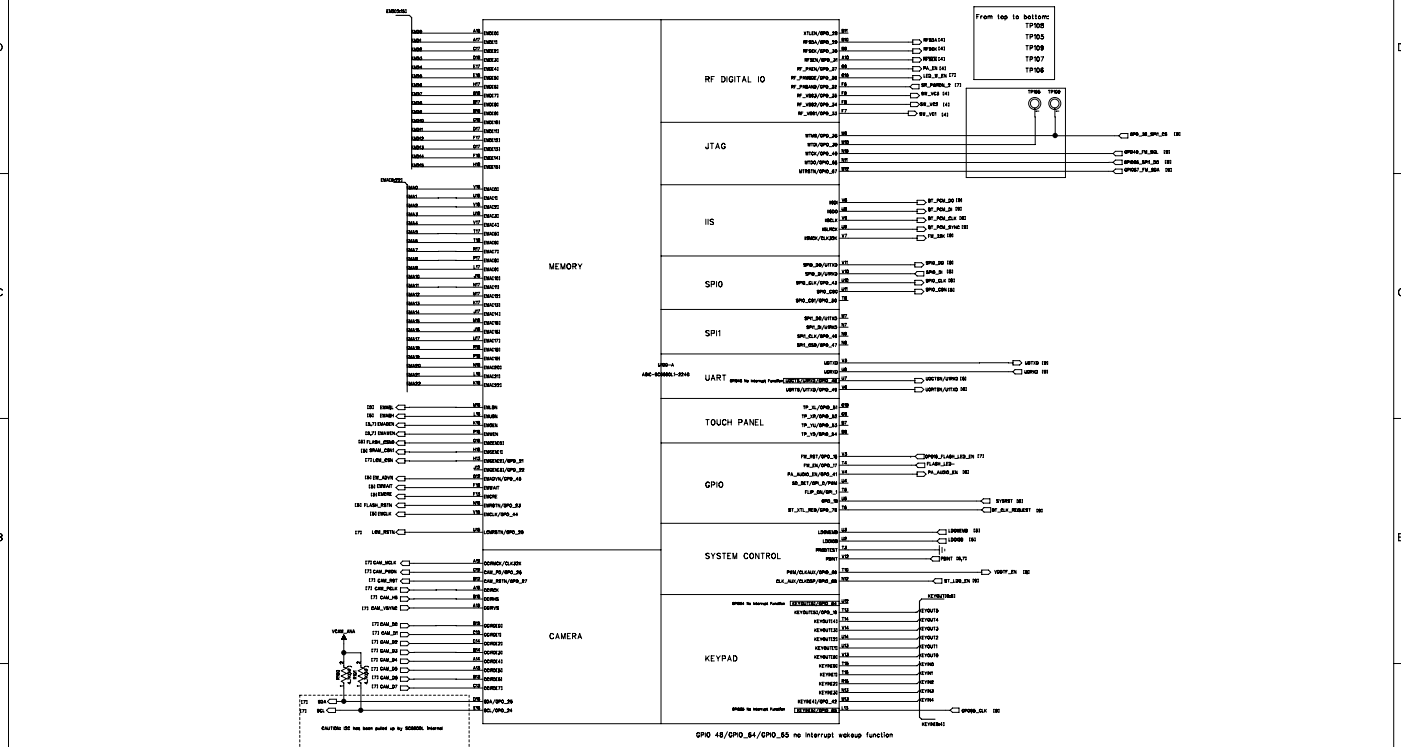


DBB

REV	DATE	APPROVED	STATUS



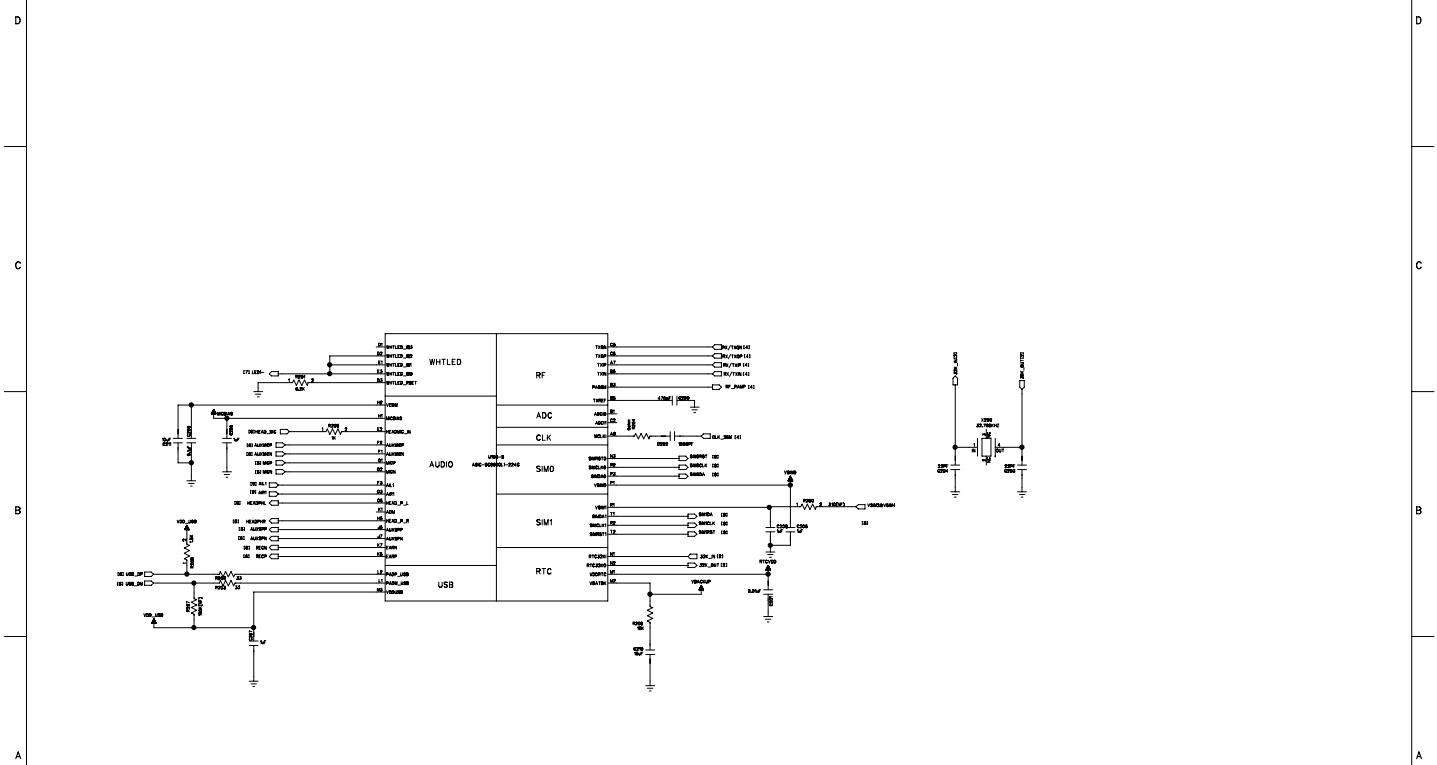
D  
C  
B  
A

D  
C  
B  
A

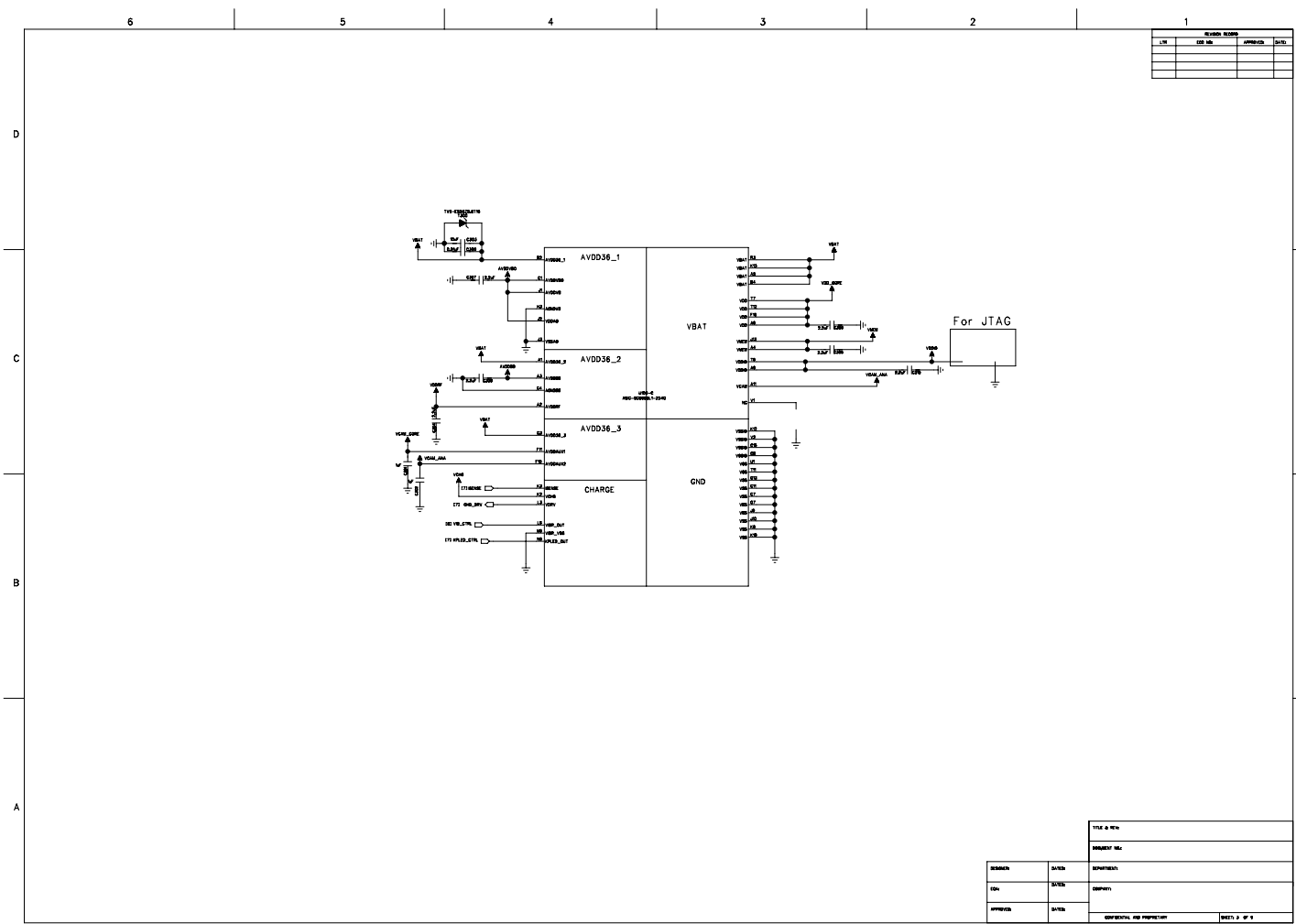
DESIGNER	DATE	DESCRIPTION
CHECKER	DATE	REVISION
APPROVER	DATE	OPERATIONAL AND PERFORMANCE

6 5 4 3 2 1

REVISED SCHEM			
REV	DATE	APPROVED	DATE

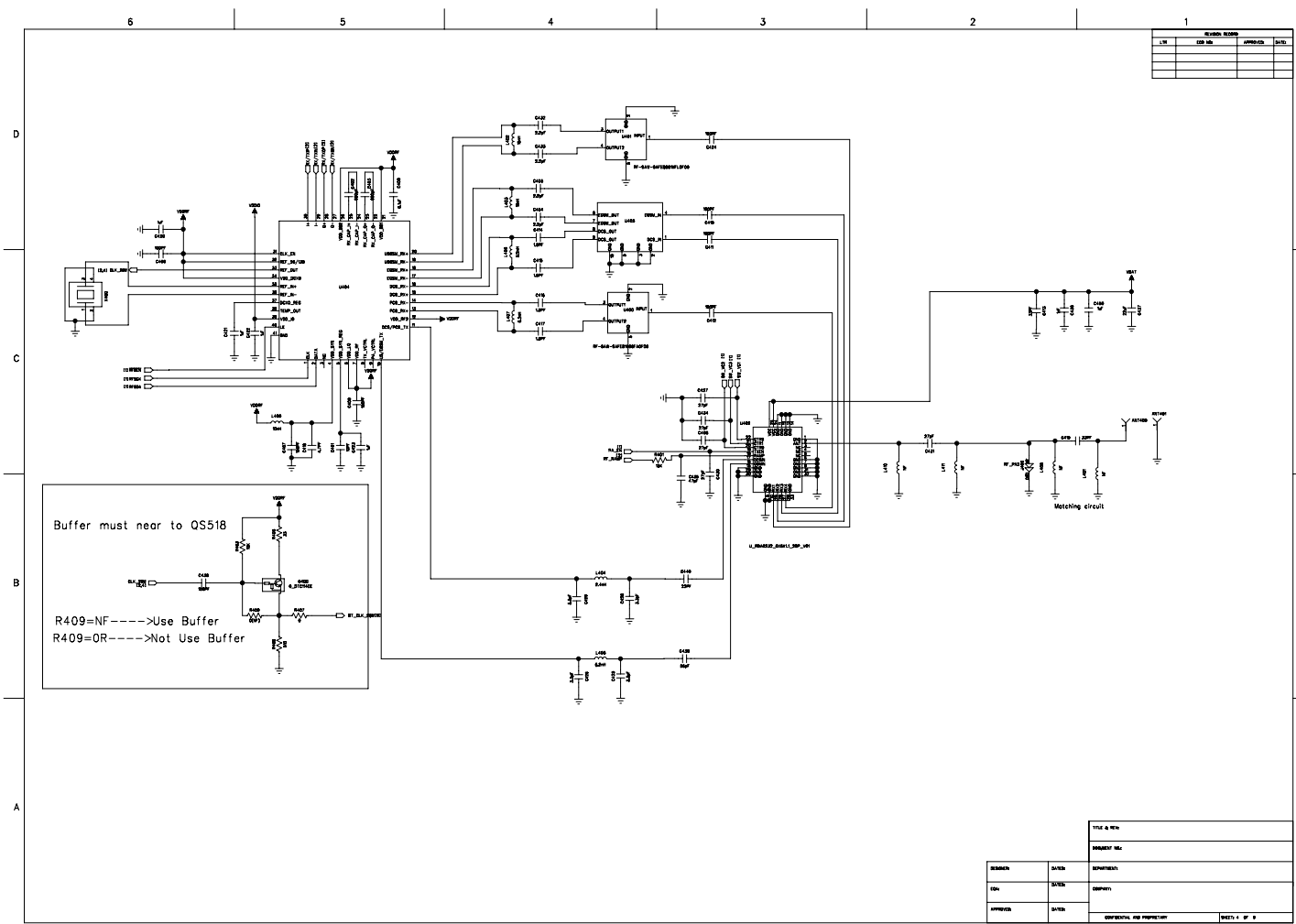


TITLE & NO.			
DRAWING NO.			
DESIGN	DATE	APPROVED	
DRAWN	DATE	DESIGN	
APPROVED	DATE	OPERATIONAL AND MAINTENANCE	DATE: P. W. R.



REVISION HISTORY			
REV	DATE	DESCRIPTION	BY

TITLE & No.	
DESIGNER: MG	
DESIGNED BY	DATE
CHECKED BY	DATE
APPROVED BY	DATE
OPERATIONAL AND INFORMATION	
PAGE 2 OF 2	



REVISION HISTORY			
REV	DATE	DESCRIPTION	BY

Buffer must near to QS518

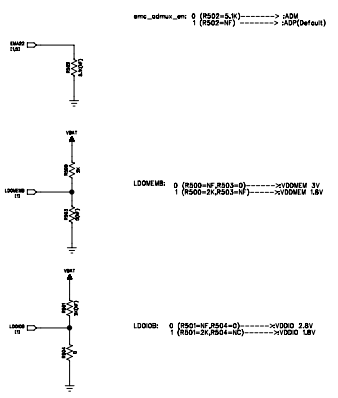
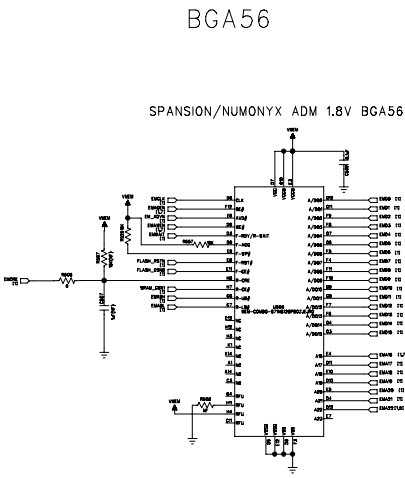
R409=NF---->Use Buffer  
R409=OR---->Not Use Buffer

TITLE & No.			
DRAWN BY			
DESIGN	DATE	DATE	DATE
CHK	DATE	DATE	DATE
APPROVED	DATE	OPERATING AND MAINTENANCE	
			REV. 1 OF 1

6 5 4 3 2 1

LN	REF ID	DESCRIPTION	DATE

Strapping List



CAUTION: MCP signals have higher speed than before, layout carefully

	K5L2731CAM	S71WS128PB0HF3SR	K5L2833ATB	M36LOT7050T3ZSP
R510/R511	R511=0 R510=NF	R511=0 R510=NF	R511=0 R510=NF	R511=NF R510=0
R509	R509=10K	R509=NF	R509=NF	R509=NF
R512	R512=NF	R512=0	R512=0	R512=NF
R507/C503	R507=NF C503=NF	R507=NF C503=NF	R507=NF C503=NF	R507=10K C503=1uF
R500/R503	R500=NF R503=0	R500=2K R503=NF	R500=2K R503=NF	R500=NF R503=0

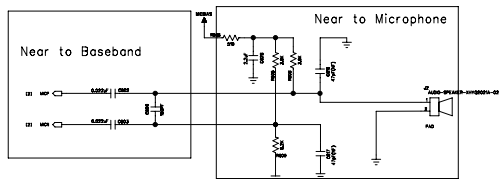
DESIGNER	DATE	DATE	DATE
CHK	DATE	DATE	DATE
APPROVED	DATE	DATE	DATE

REVISION RECORD			
VER	REV NO	APPROVAL	DATE

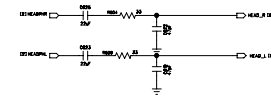
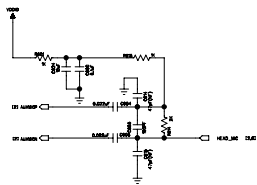
MAIN MIC

EAR-MIC

HEADPHONE



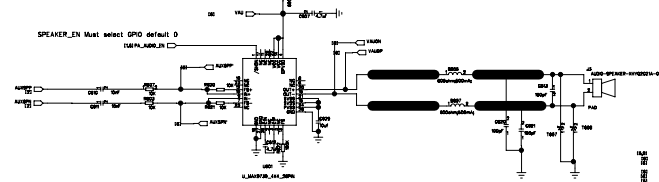
Change the value of R609 to decrease uplink TDD noise



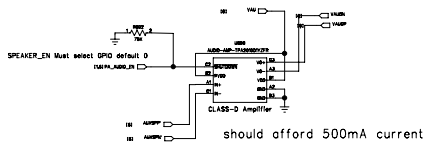
RECEIVER

If use combined speaker and receiver ,then Analog switch are needed to prevent reverse current.Pls refer to <<SC6600H Speaker&Receiver Application Notes>>

Class K



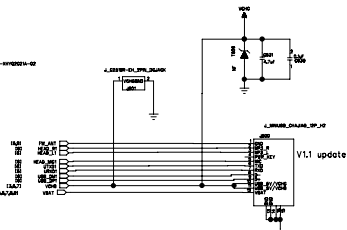
Class D



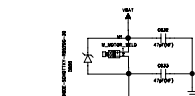
Speaker

should afford 500mA current

Speaker



12PIN MINI USB



VIBRATOR

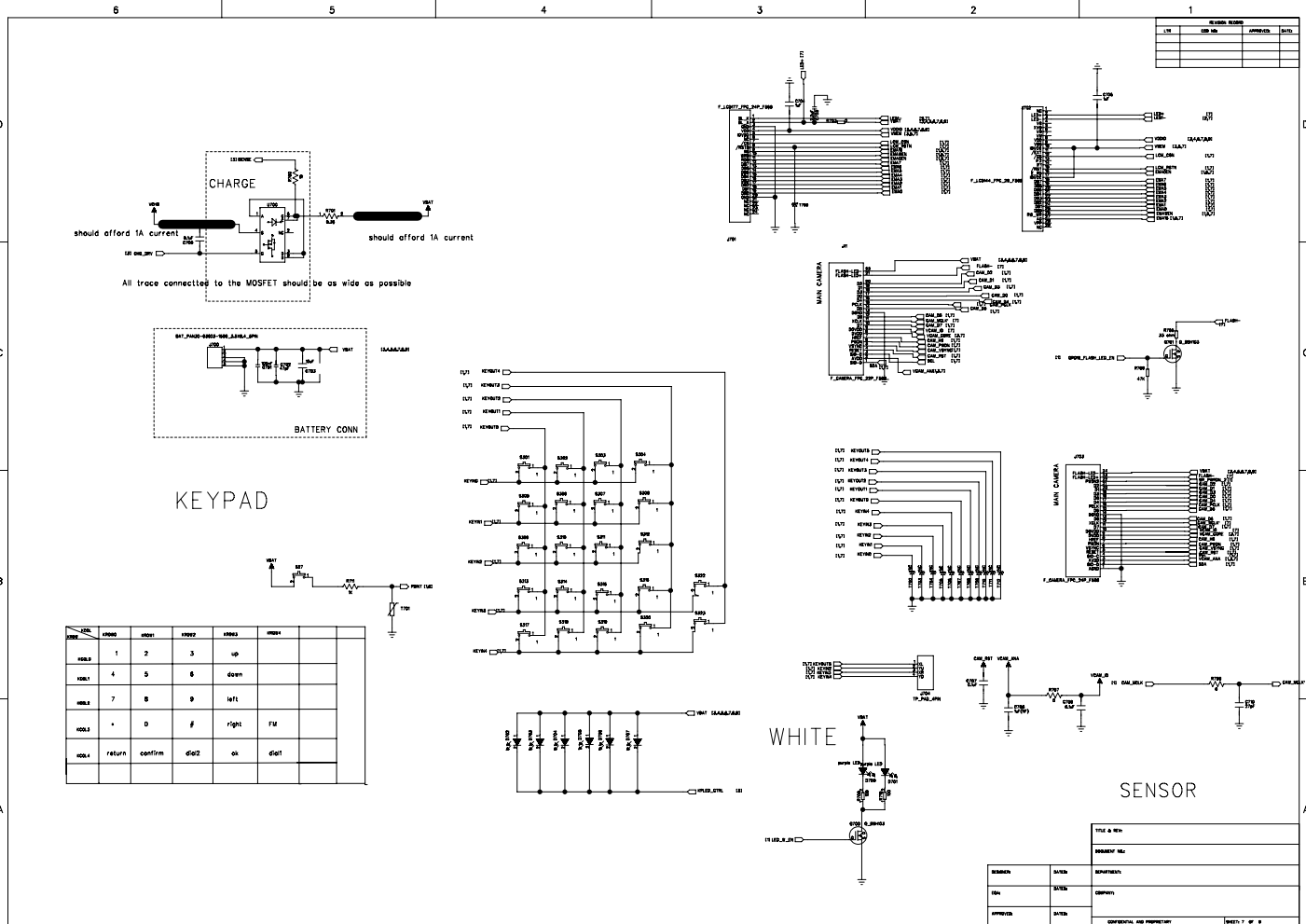
should afford 100mA current

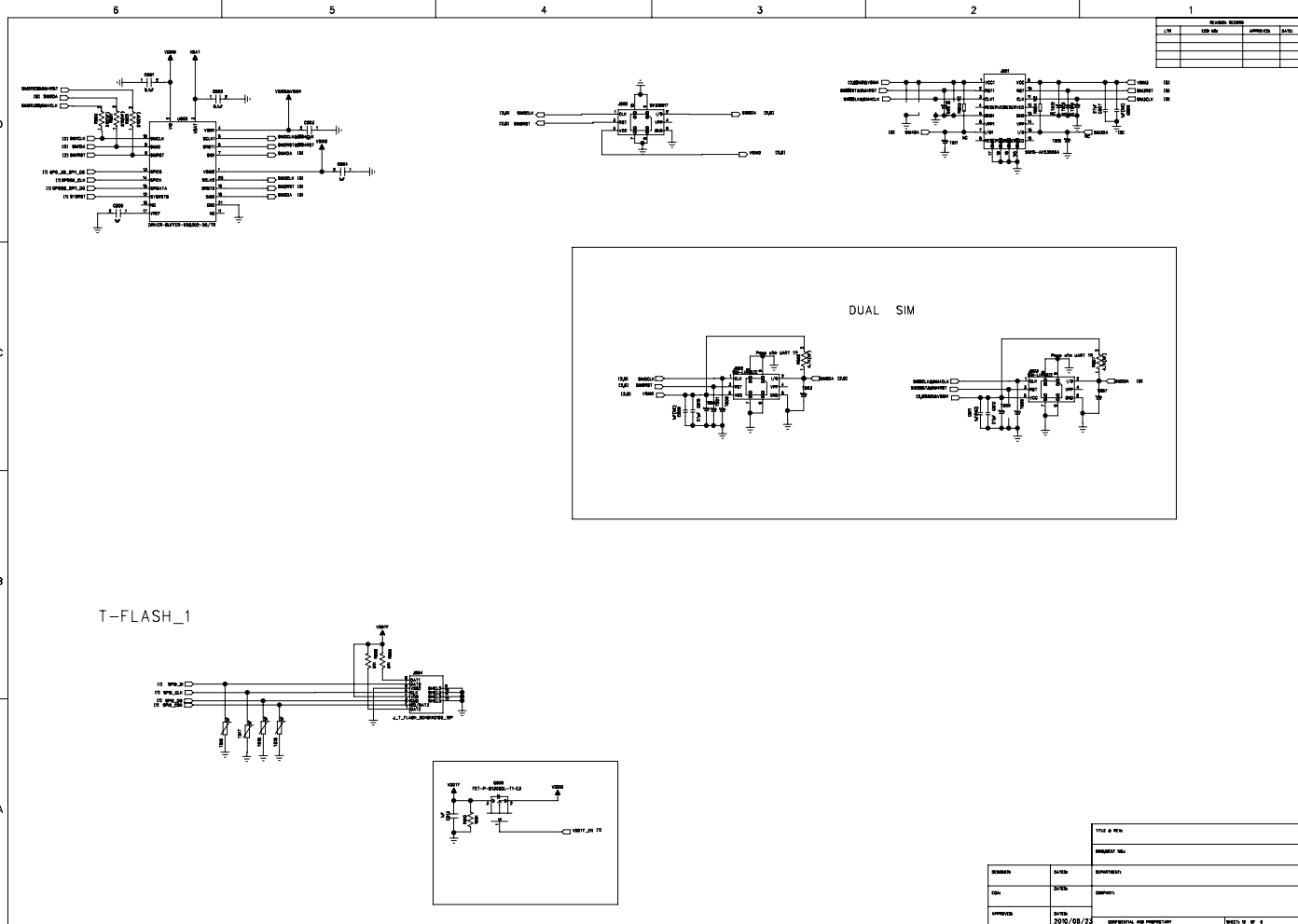
INTERFACE

MLV for USB must to be soldered

U0CTRN is used as URXD  
 U0RSTN is used as URXD and NR00T  
 Boot select:  
 U0RSTN = low --> boot from USB  
 U0RSTN = high --> boot from NOR or UART  
 NOTE: keyIN0 & keyOUT0 pressed when power up will also lead to USB boot

TITLE & NO.		REVISION NO.	
DESIGNER	DATE	DATE	DATE
INR	DATE	DATE	DATE
APPROVER	DATE	DATE	DATE
OPERATIONAL AND PERFORMANCE		PAGE 6 OF 8	





REVISION HISTORY			
REV	DATE	DESCRIPTION	BY

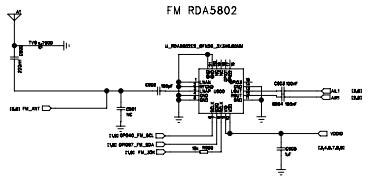
TITLE & No.			
DESIGNER: NG			
DESIGNER	DATE	SPRINT	
CHK	DATE		
APPROVED	DATE		
	2020/08/22	OPERATIONAL R&D DEPARTMENT	



6 5 4 3 2 1

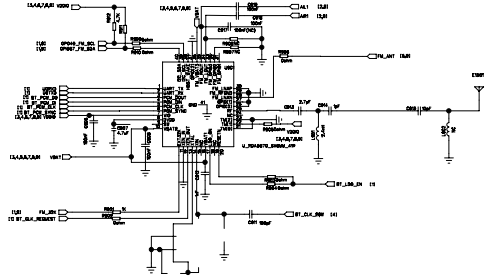
REVISION HISTORY			
LN	REV NO.	APPROVAL	DATE

D  
C  
B  
A



NOTES: If the camera and FM functions both adopted in the system, they should use the same IO power supply and I2C pullup resistances.

V1.4 update  
BLUE TOOTH & FM



DESIGNER		DATE	DATE	DATE	DATE	DATE	DATE	DATE	DATE
DRAWN		DATE	DATE	DATE	DATE	DATE	DATE	DATE	DATE
CHECKED		DATE	DATE	DATE	DATE	DATE	DATE	DATE	DATE
APPROVED		DATE	DATE	DATE	DATE	DATE	DATE	DATE	DATE
TITLE & NO.									
DRAWING NO.									
OPERATING AND MAINTENANCE									

D  
C  
B  
A