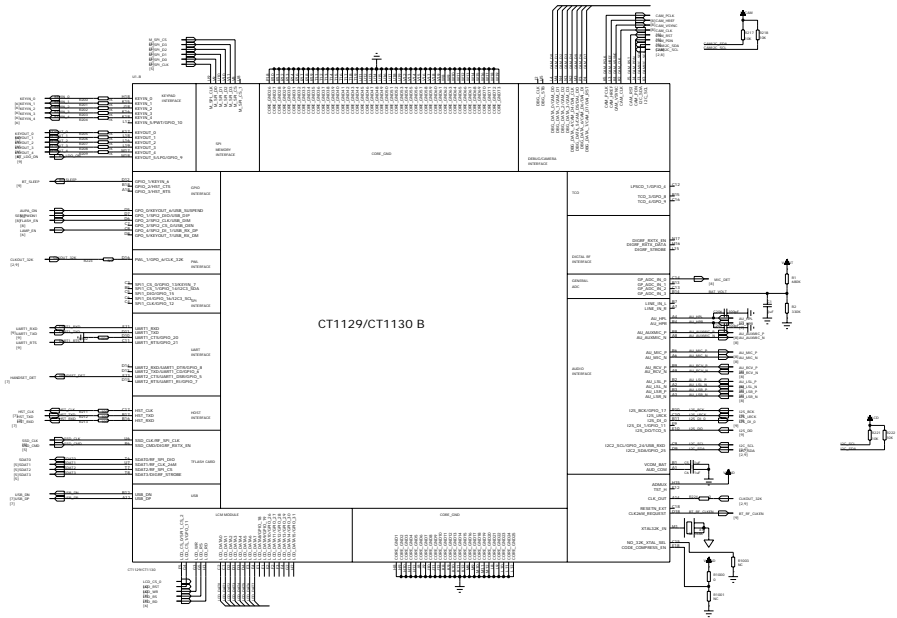
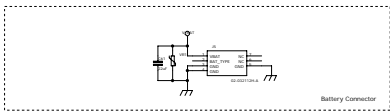
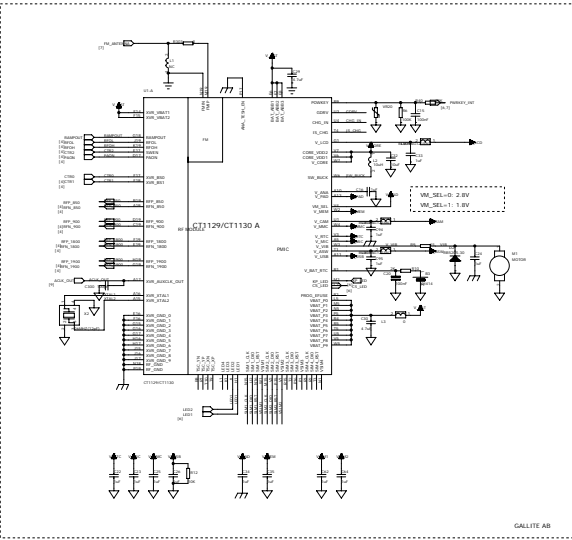
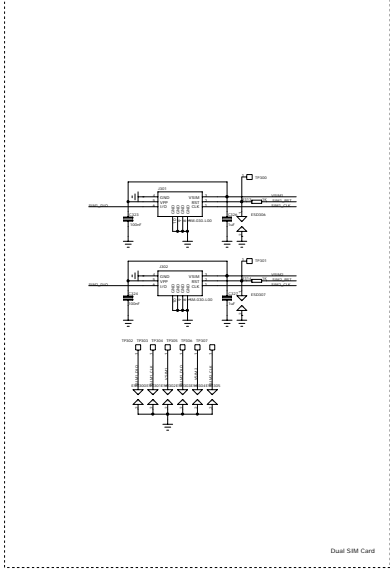
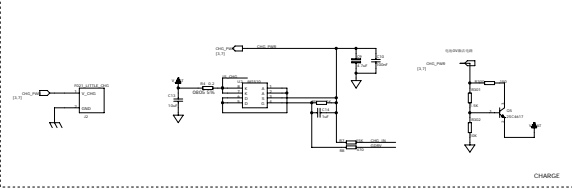


REVISION RECORD			
DATE	ISSUE NO	APPROVAL	REASON



Beijing DaYo Mobile					
R440					
Drawn By:	DATE:	DATE:	DATE:	DATE:	DATE:
<Drawn By>	Dec 11 2006				
Checked By:	DATE:	DATE:	DATE:	DATE:	DATE:
<Checked By>					
Quality Control:	DATE:	DATE:	DATE:	DATE:	DATE:
<QC By>		<Code>	A1	<Drawing Number >	P2
Released By:	DATE:	DATE:	DATE:	DATE:	DATE:
<Released By>		<Scale>			

REVISIONS			
NO.	REVISION	DATE	BY



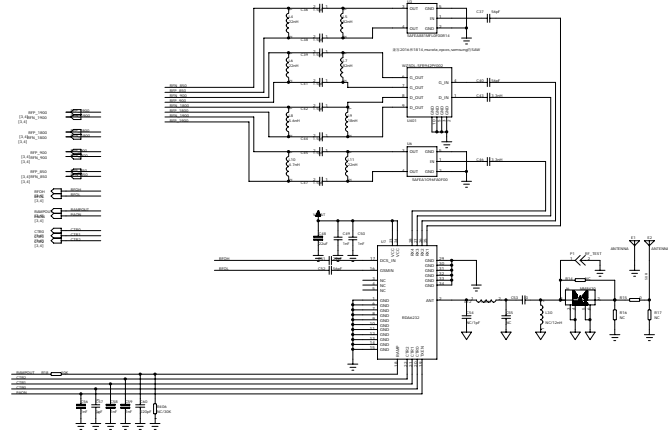
BeJing DaYo Mobile

R440

Drawn By:	Drawn:
Checked By:	Checked Date:
QC By:	QC Date:
Released By:	Release Date:

CODE	DATE	REVISION	REV
<Code>	A1	<Drawing Number>	P2

REVISIONS			
NO.	REVISION	DATE	BY



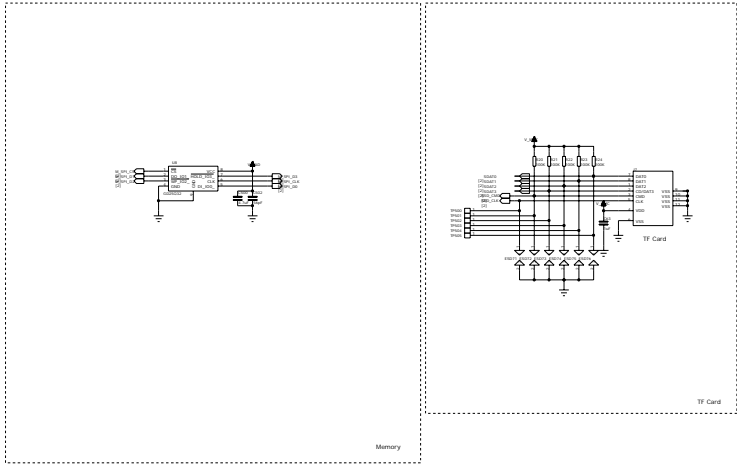
Company: BeiJing DaYo Mobile

Title: R440

Drawn By: <Drawn By>	Date: 2006.11.11
Checked By: <Checked By>	Date: <Checked Date>
QC By: <QC By>	Date: <QC Date>
Released By: <Released By>	Date: <Release Date>

Code	Sub	Released by	Rev
<Code>	A1	<Drawing Number>	P2

REVISIONS			
NO.	REVISION	DATE	BY



BeJing DaYo Mobile

TYPE

R440

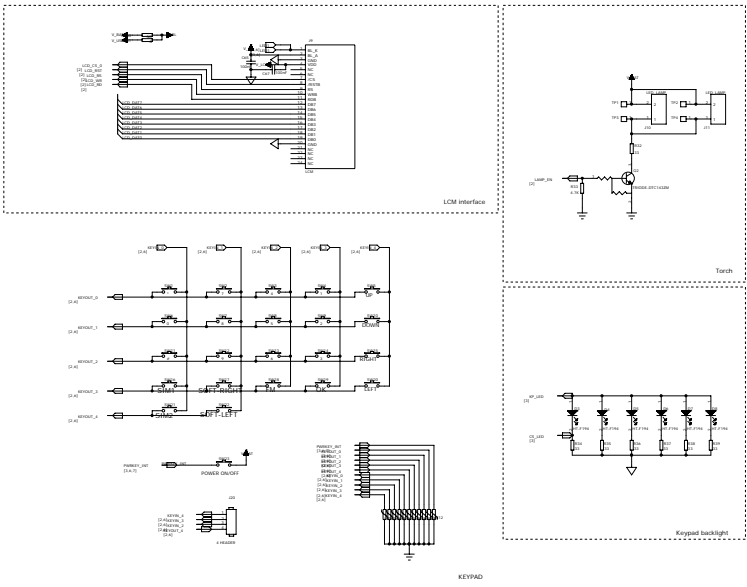
Drawn By:	Drawn Date:	Checked By:	Checked Date:
QC By:	QC Date:	Released By:	Release Date:

CODE SUB DRAWING NO. REV

<Code> A1 <Drawing Number > P2

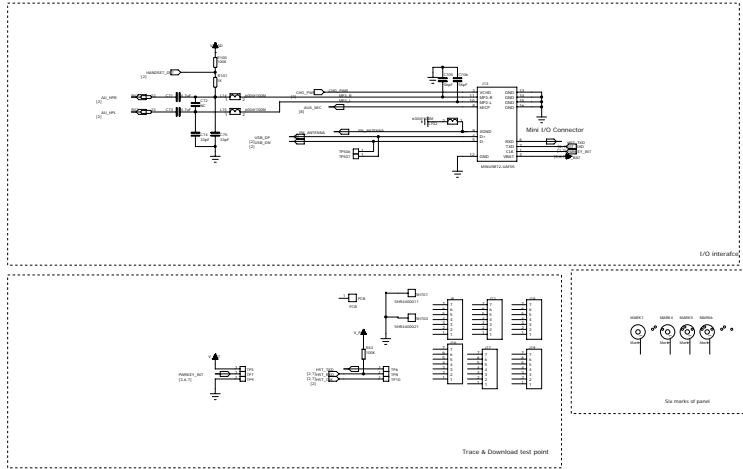
Scale: 1:1

Revision History			
NO.	DESCRIPTION	DATE	BY



BeJing DaYo Mobile					
Title					
R440					
DESIGN	DATE	CODE	JOB	ISSUED BY	REV
<Drawn By>	<Date>	<Code>	<Job>	<Issued By>	<Rev>
<Checked By>	<Date>	<Code>	<Job>	<Issued By>	<Rev>
<QC By>	<Date>	<Code>	<Job>	<Issued By>	<Rev>
<Released By>	<Date>	<Code>	<Job>	<Issued By>	<Rev>
<Code> A1 <Drawing Number> P2					

REVISIONS			
NO.	REVISION	DATE	BY



Beijing DaYo Mobile

R440

Drawn By: <Drawn By>	Drawn Date: 2006.11.11
Checked By: <Checked By>	Checked Date: <Checked Date>
QC By: <QC By>	QC Date: <QC Date>
Released By: <Released By>	Release Date: <Release Date>

Code: <Code>	Sub: A1	Drawing Number: <Drawing Number>	Rev: P2
--------------	---------	----------------------------------	---------

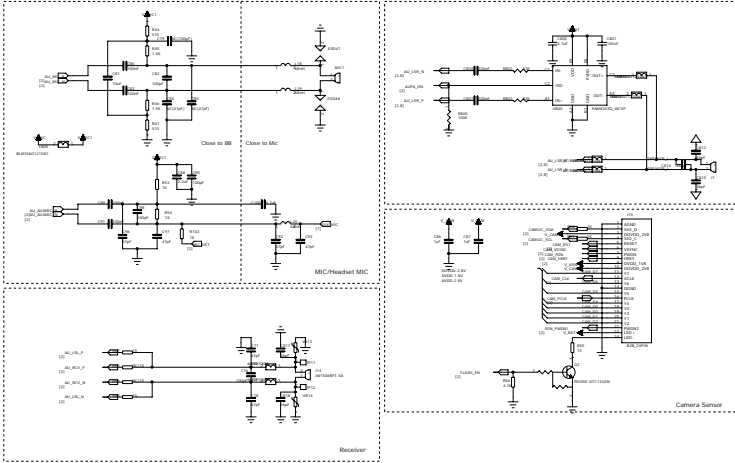
D

C

B

A

REVISIONS			
NO.	DATE	REVISION	BY

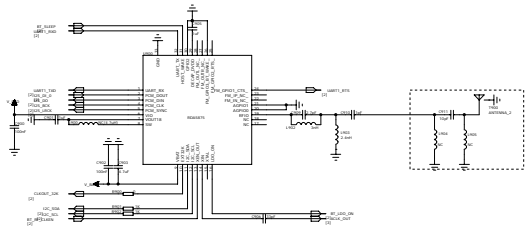


Beijing DaYo Mobile

R440

Drawn By: <Drawn By>	Drawn Date: 2006.11.11	Code: <Code>	Sub: A1	Sheet No: <Drawing Number>	Rev: P2
Checked By: <Checked By>	Checked Date: <Checked Date>	QC By: <QC By>	QC Date: <QC Date>	Released By: <Released By>	Release Date: <Release Date>
Scale: <Scale>		Sheet: 1 of 1			

REVISIONS/REVISED			
NO.	DATE	REVISIONS	BY



Beijing DaYo Mobile

R440

Drawn By:	Drawn Date:	Checked By:	Checked Date:	Code:	Sub:	Released By:	Released Date:	Scale:			
-Drawn By-	2006.11.11	-Checked By-									
<table border="1"> <tr> <td><Code></td> <td>A1</td> <td><Drawing Number ></td> <td>P2</td> </tr> </table>								<Code>	A1	<Drawing Number >	P2
<Code>	A1	<Drawing Number >	P2								