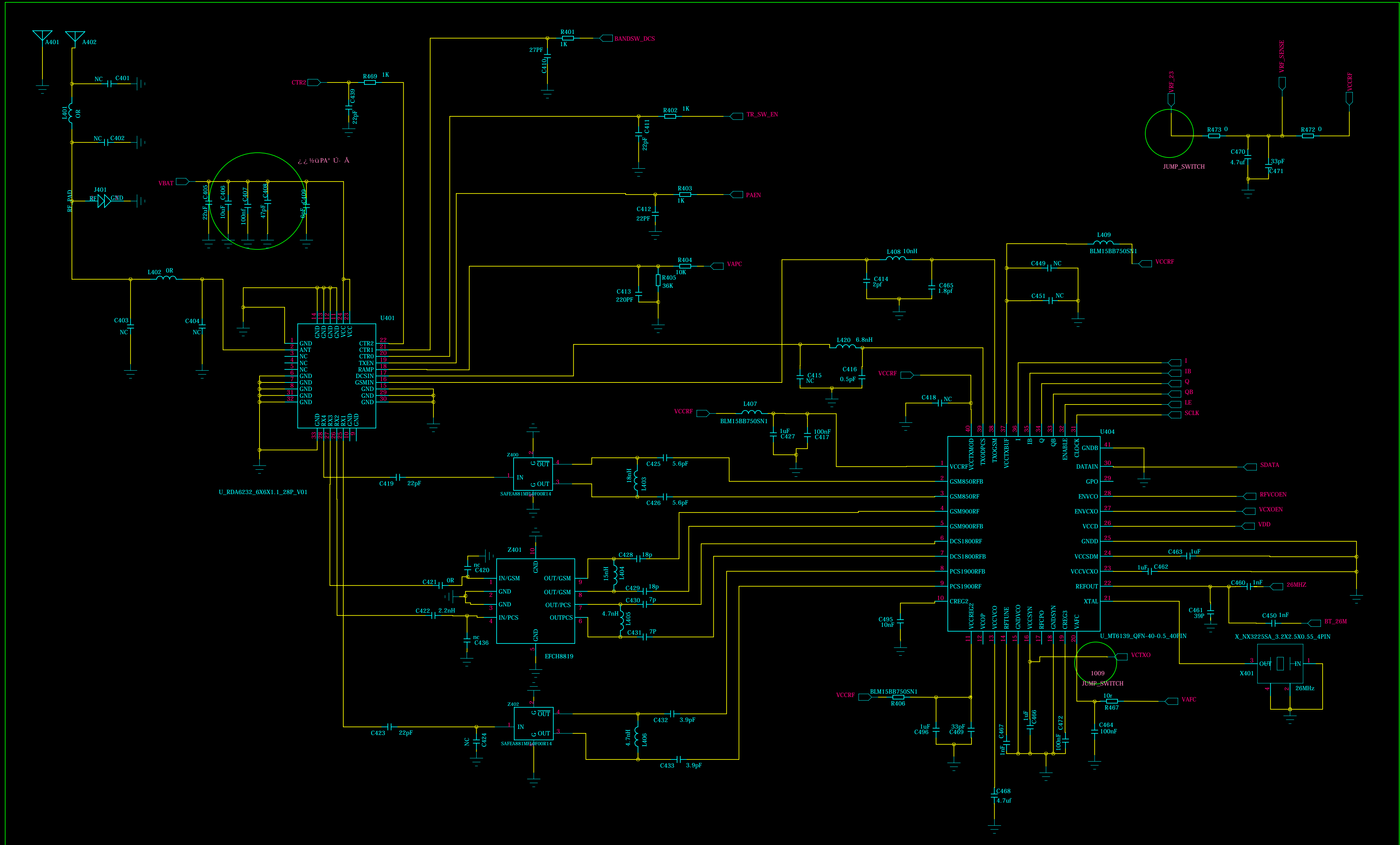
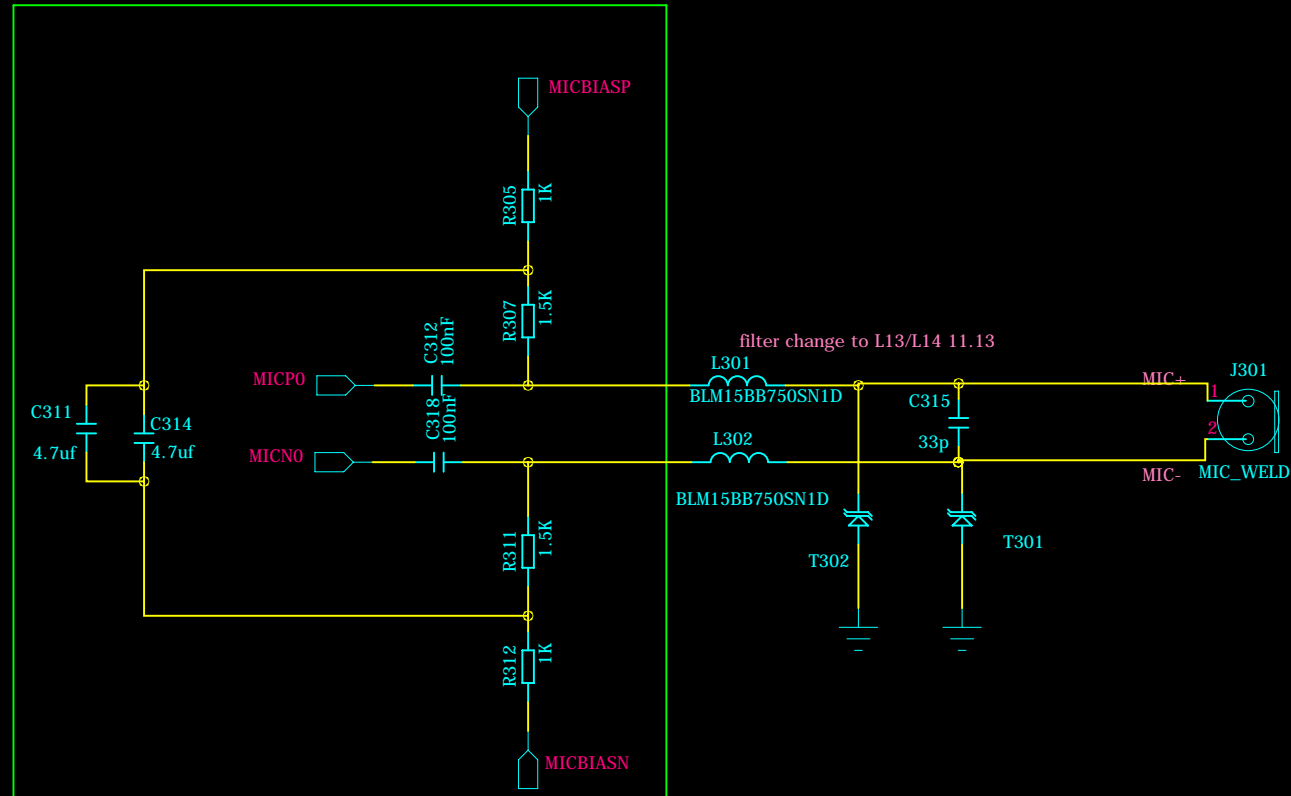


IFLY COMMUNICATION Co.Ltd		File NO:	
MODEL:	F100	Drawing NO:	
TITLE:		STANDARD:	
SCH:	V1.1	PCB:	CHECK:
DESIGN:			APPROVE:

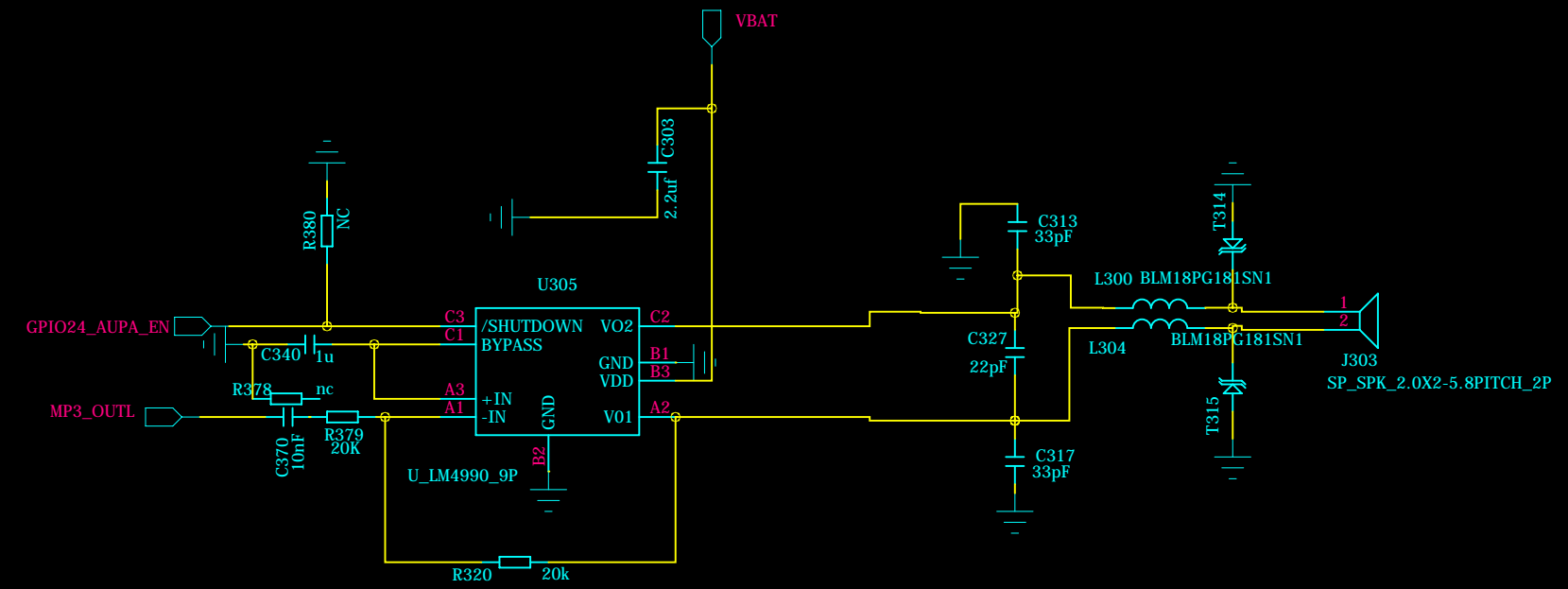


IFLY COMMUNICATION Co.Ltd		File NO:
MODEL:	F100	Drawing NO:
TITLE:		STANDARD:
SCH: V1.1	PCB:	CHECK:
DESIGN:		APPROVE:

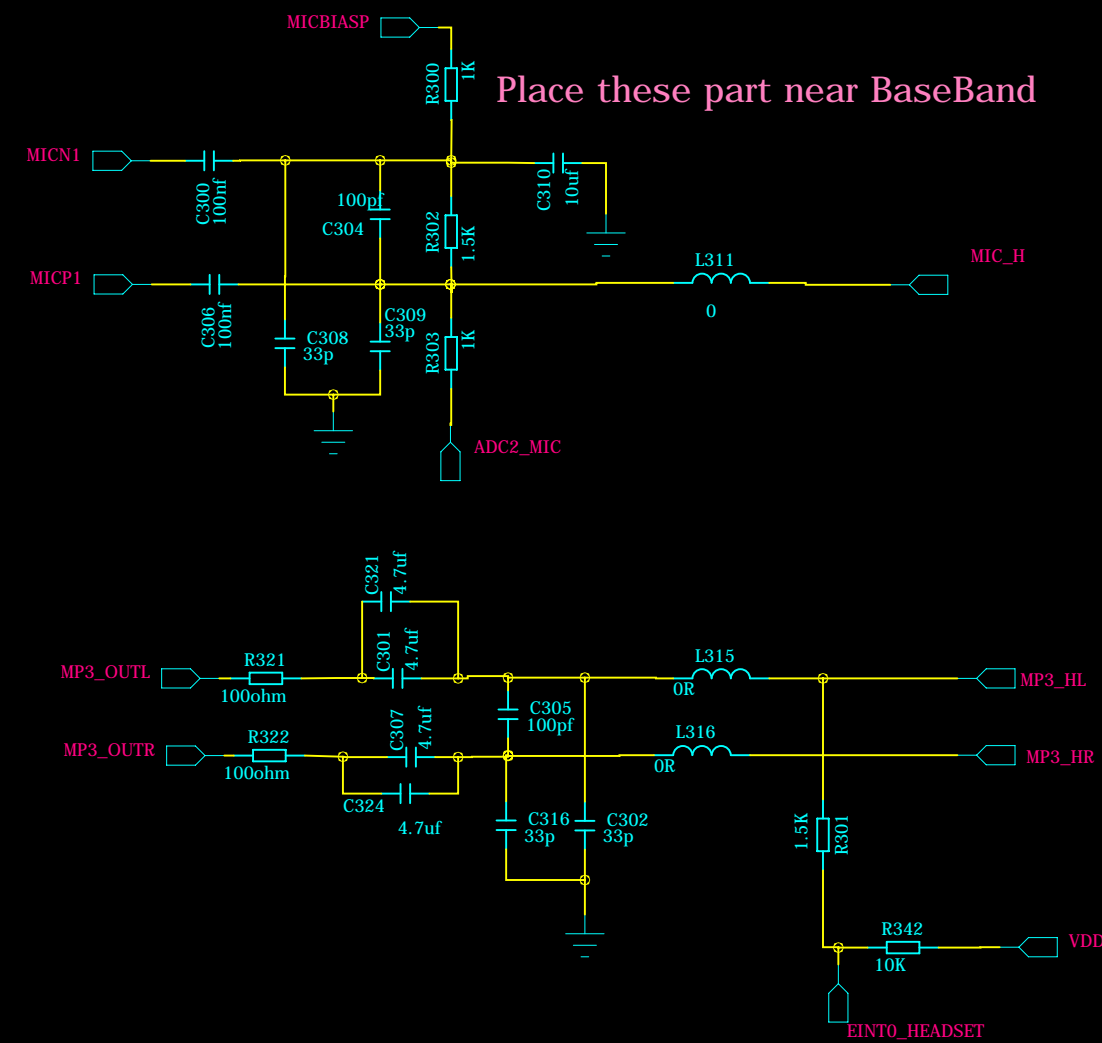
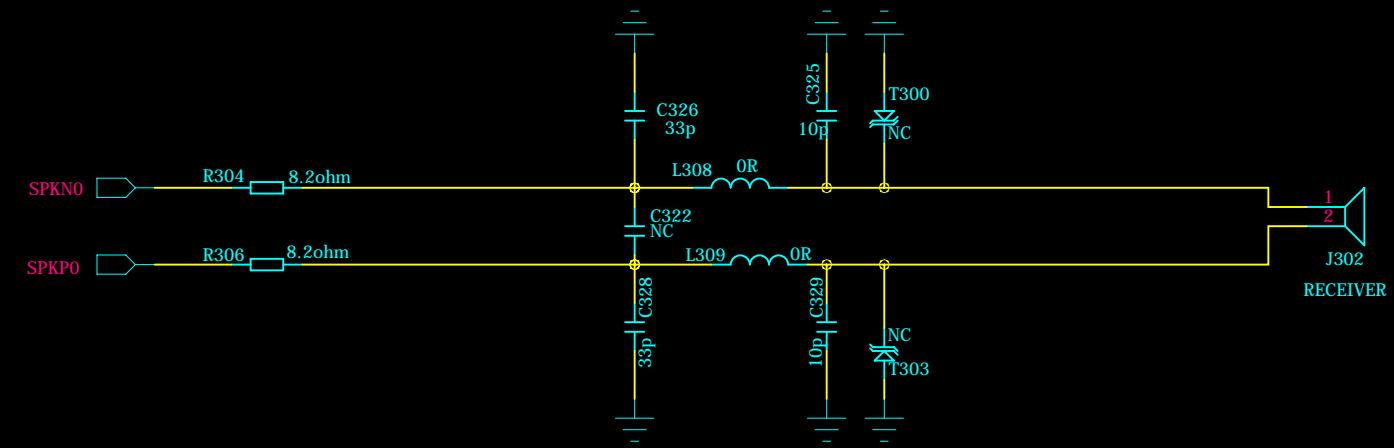


Place these part near BaseBand

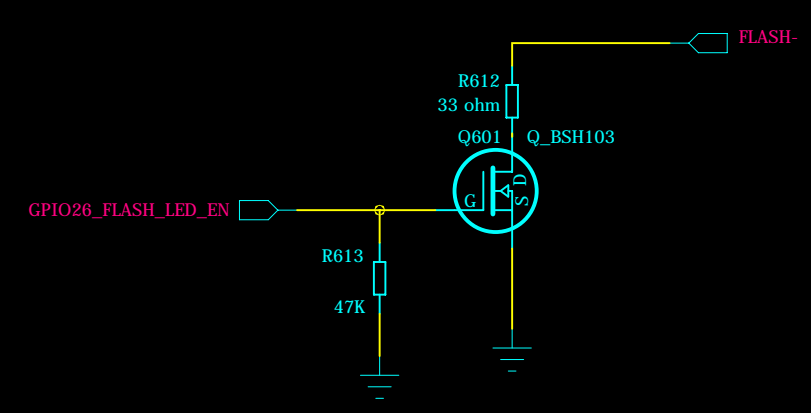
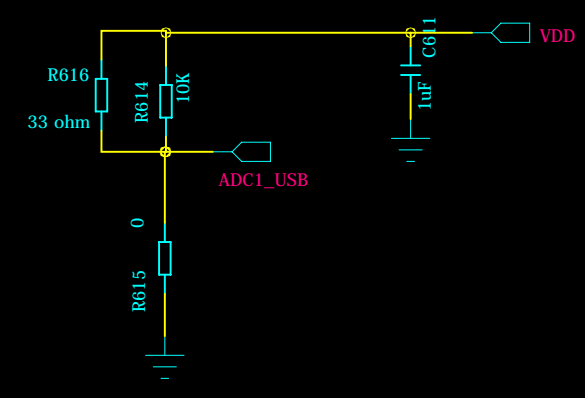
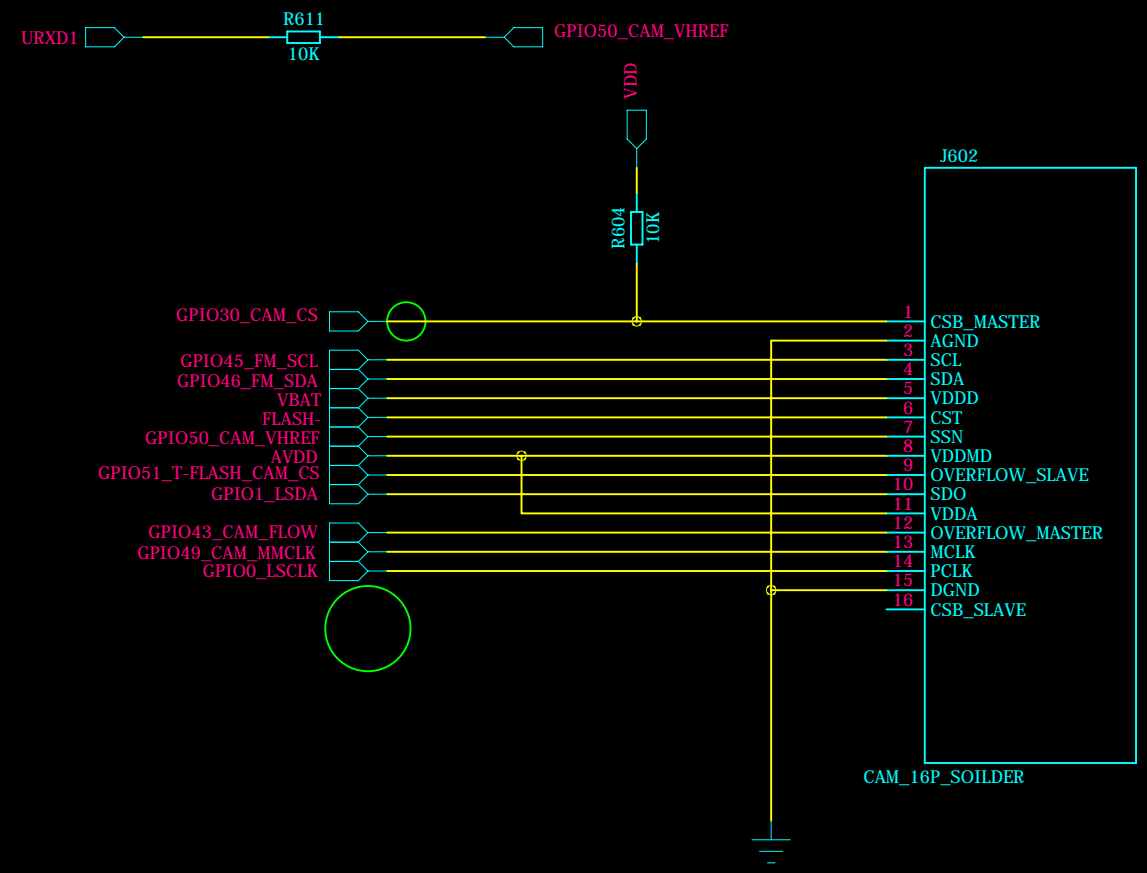
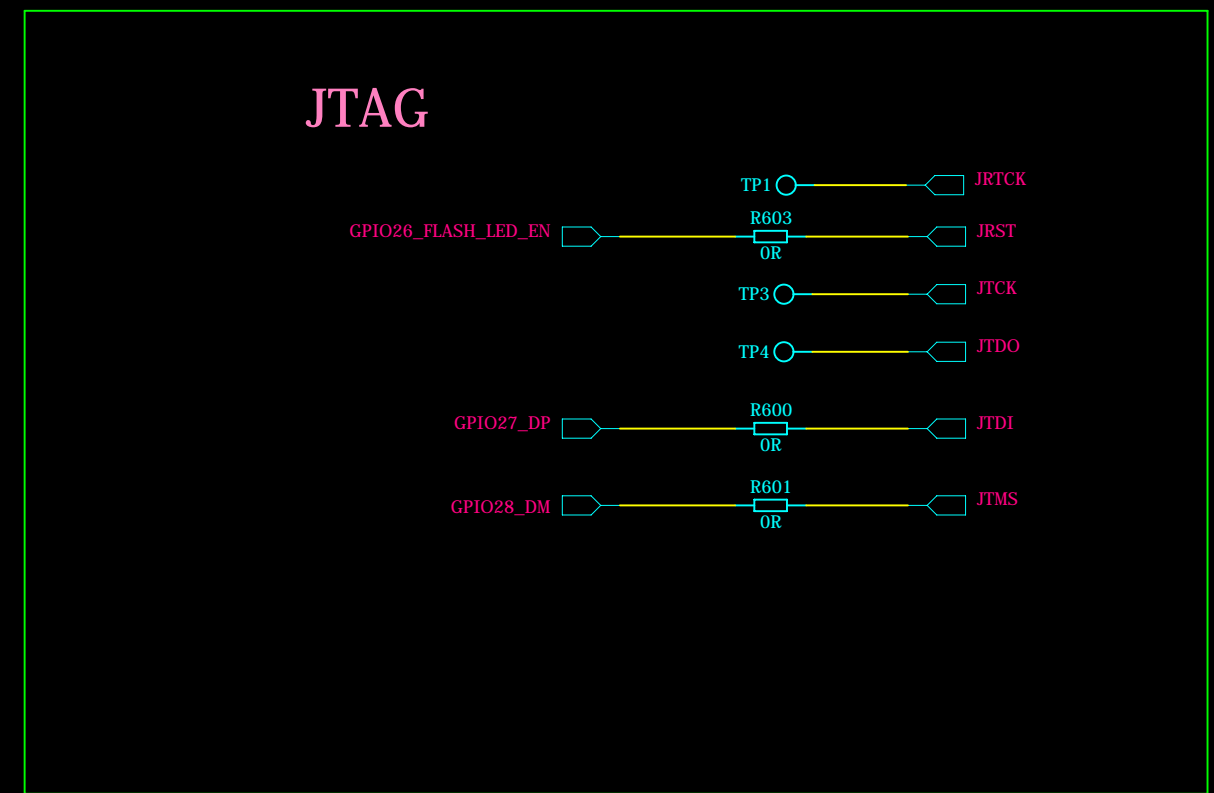
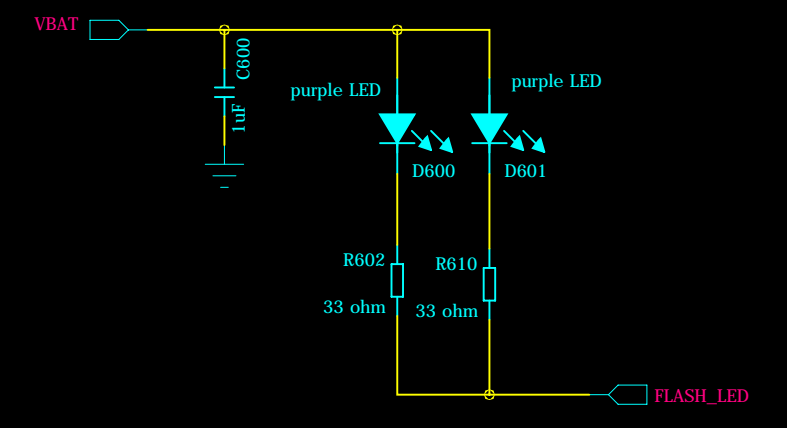
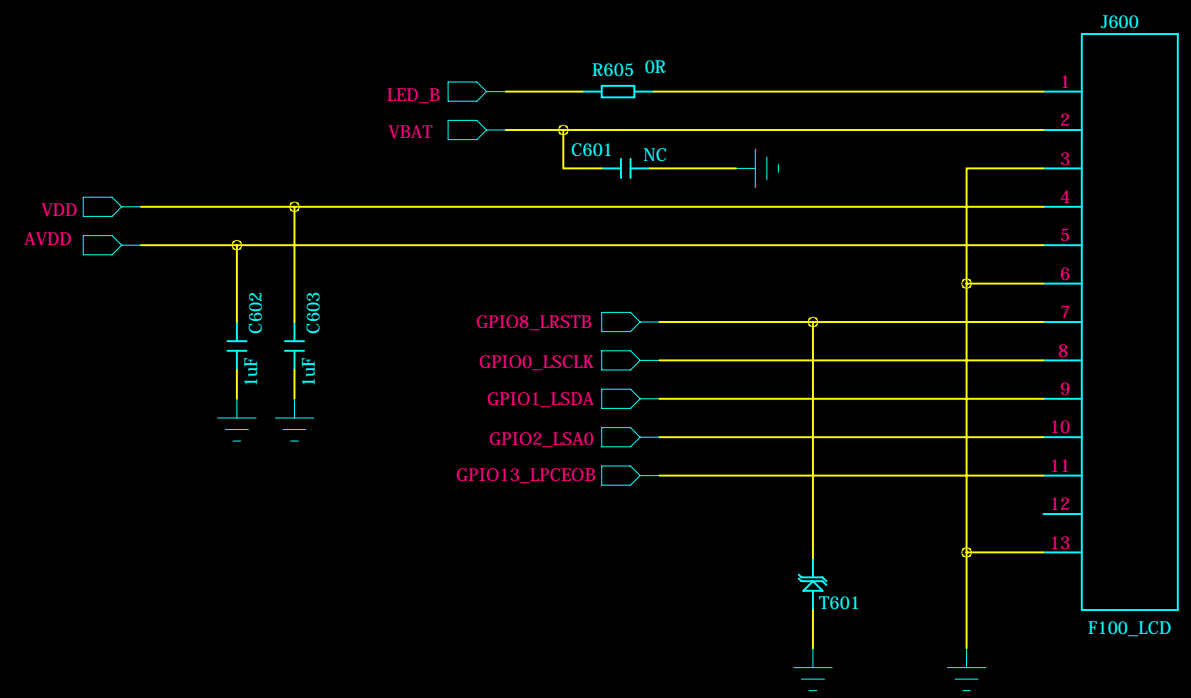
# MICROPHONE



# Speaker & Receiver



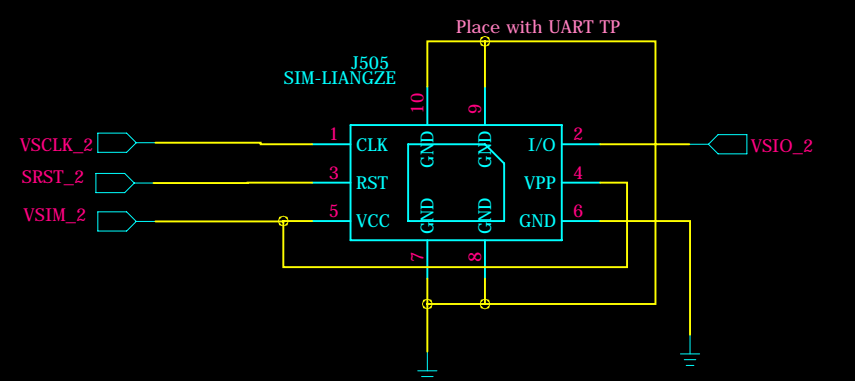
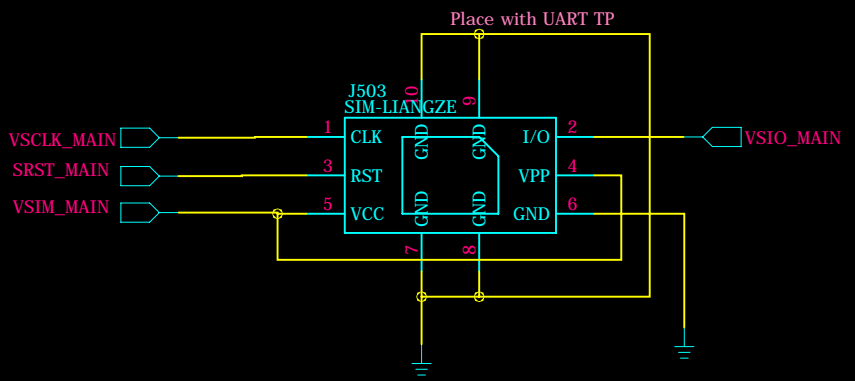
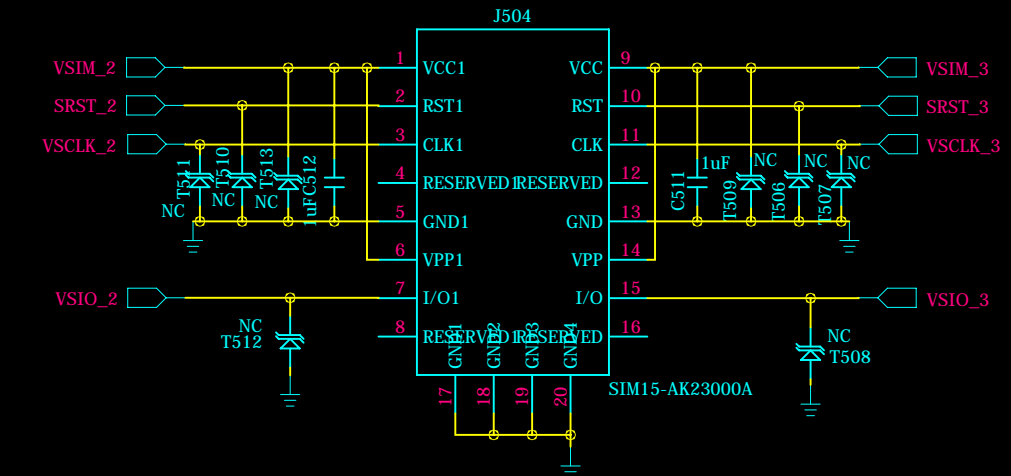
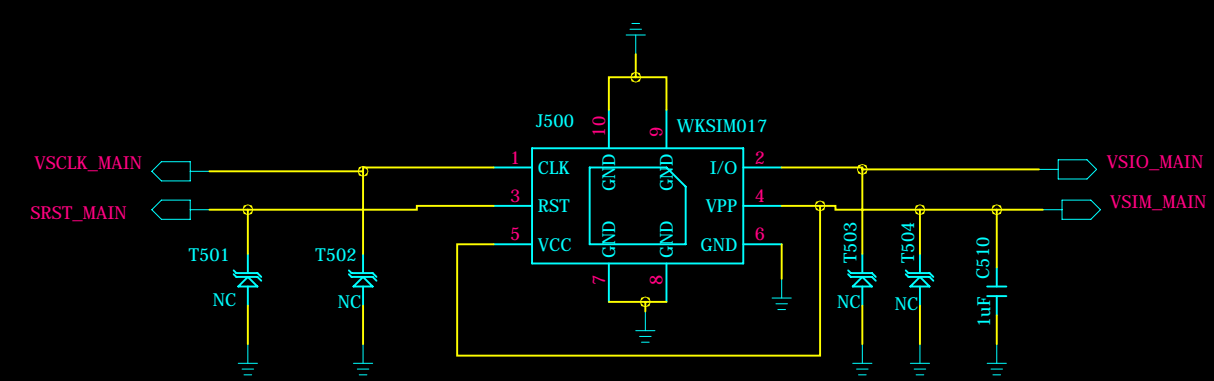
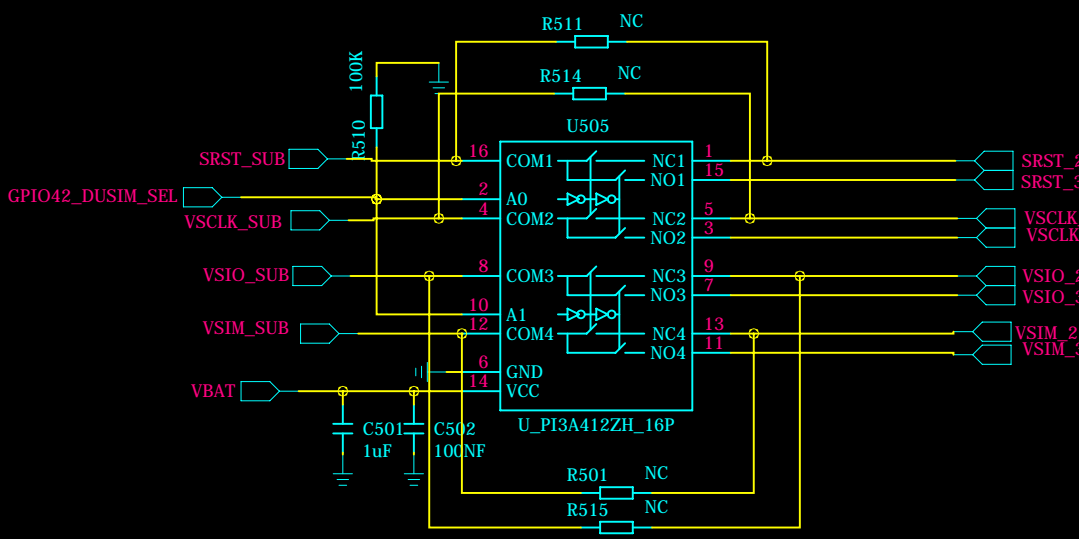
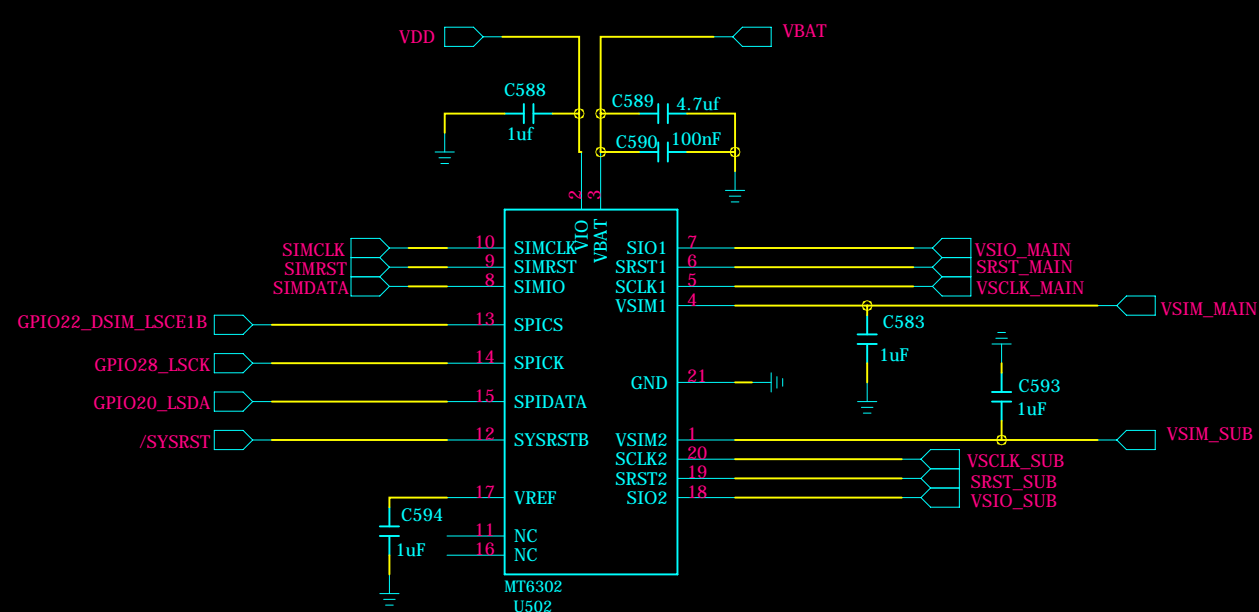
IFLY COMMUNICATION Co.Ltd		File NO:
MODEL: F100		Drawing NO:
TITLE:		STANDARD:
SCH: V1.1	PCB:	CHECK:
DESIGN:		APPROVE:



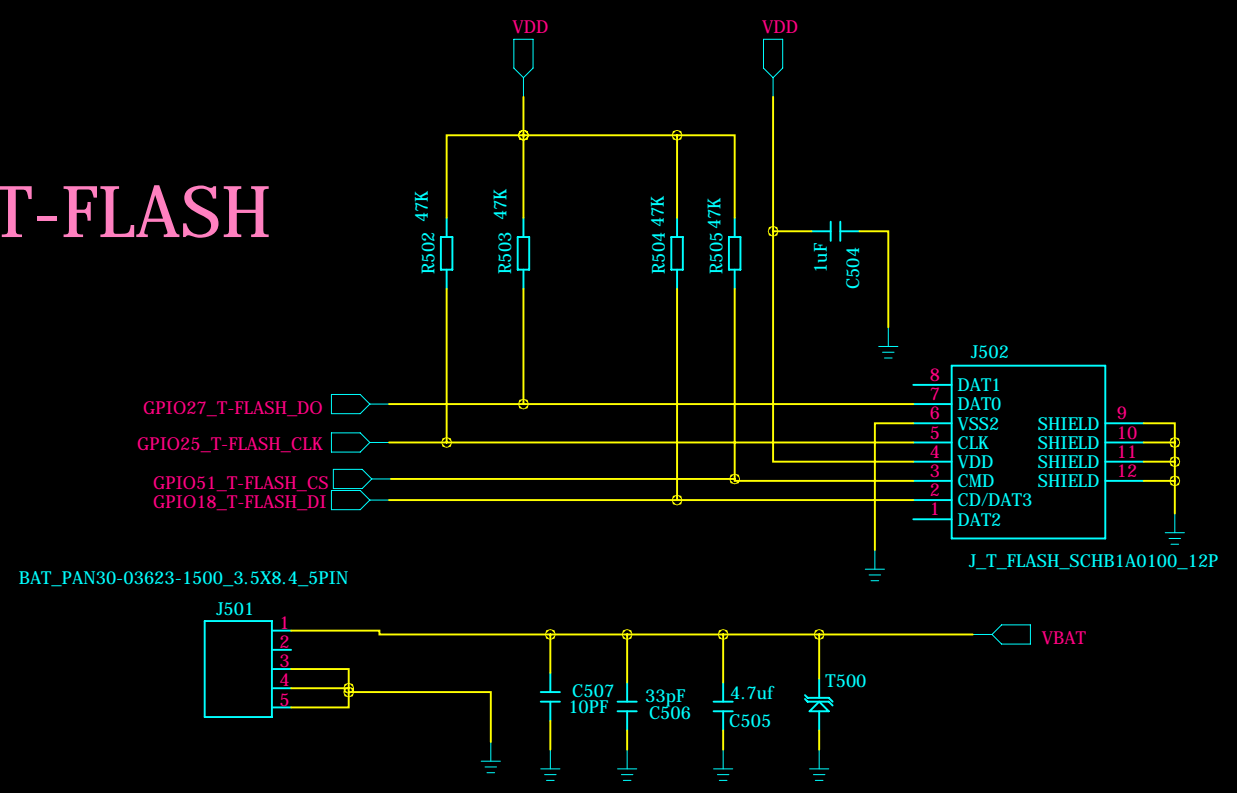
○ Z1  
 ○ Z2  
 ○ Z3  
 ○ Z4

# MARK DOT

IFLY COMMUNICATION Co.Ltd		File NO:
MODEL:	F100	Drawing NO:
TITLE:		STANDARD:
SCH:	V1.1	PCB:
DESIGN:		CHECK:
		APPROVE:

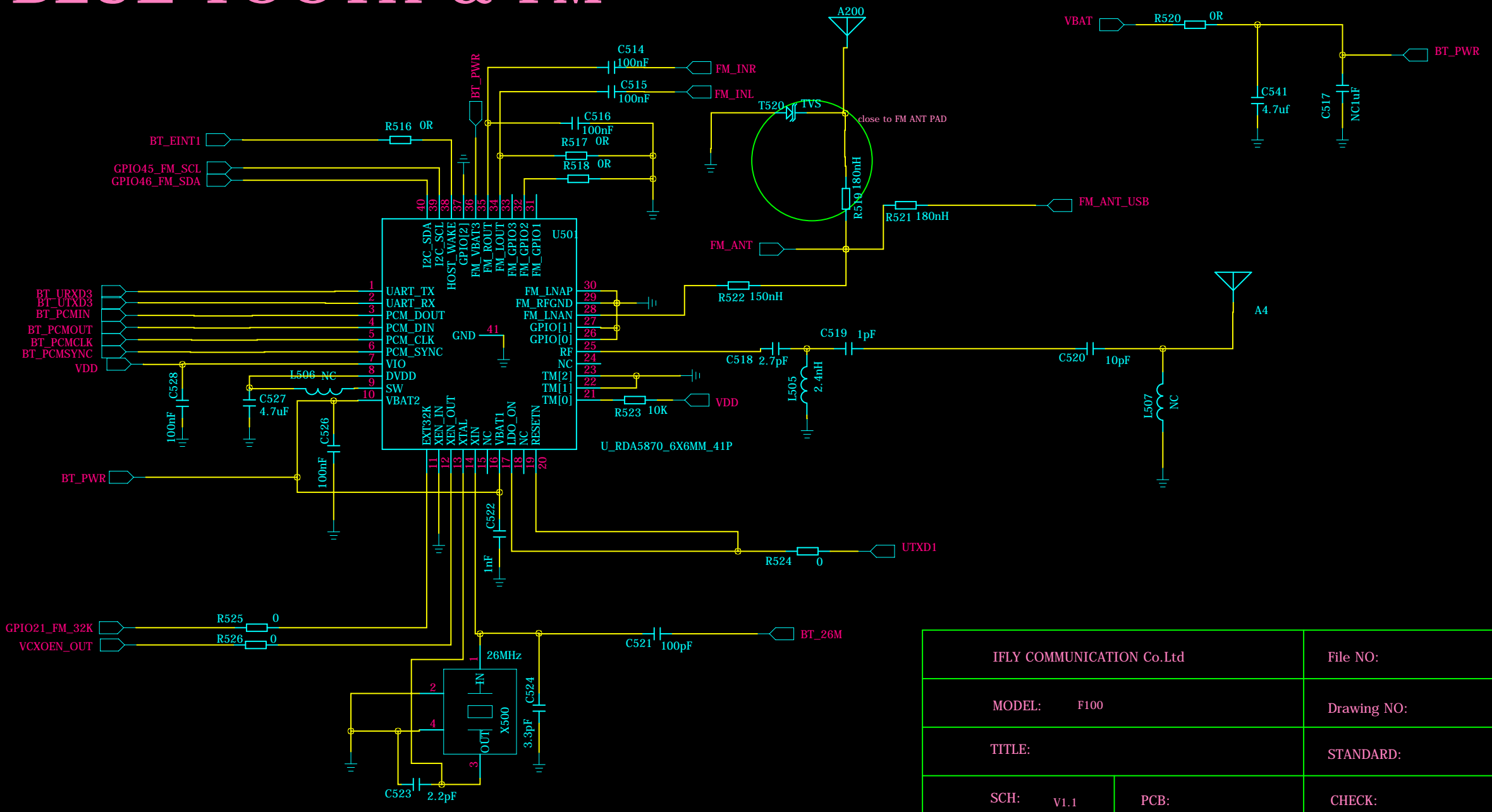


T-FLASH



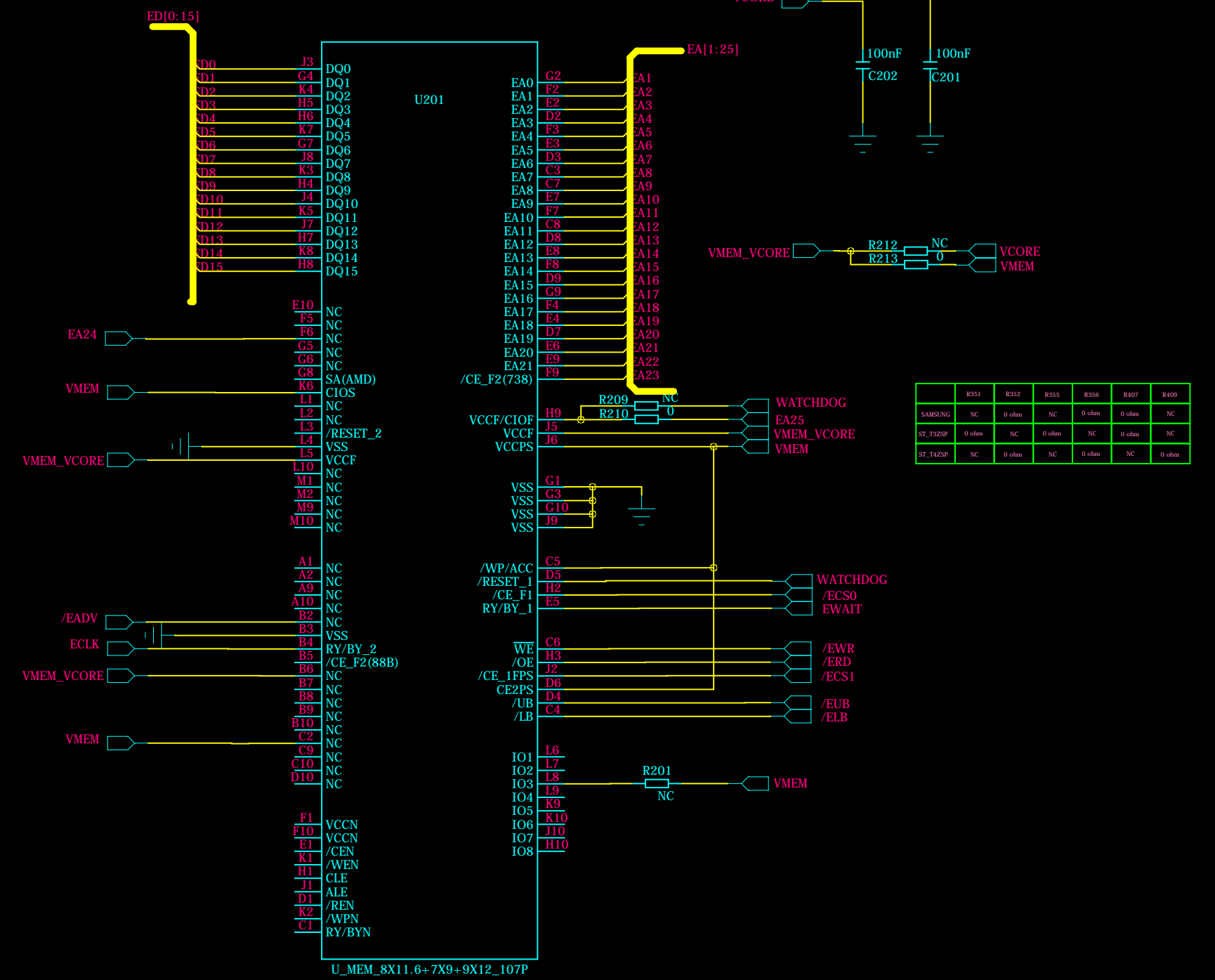
BAT

V1.4 update  
BLUE TOOTH & FM

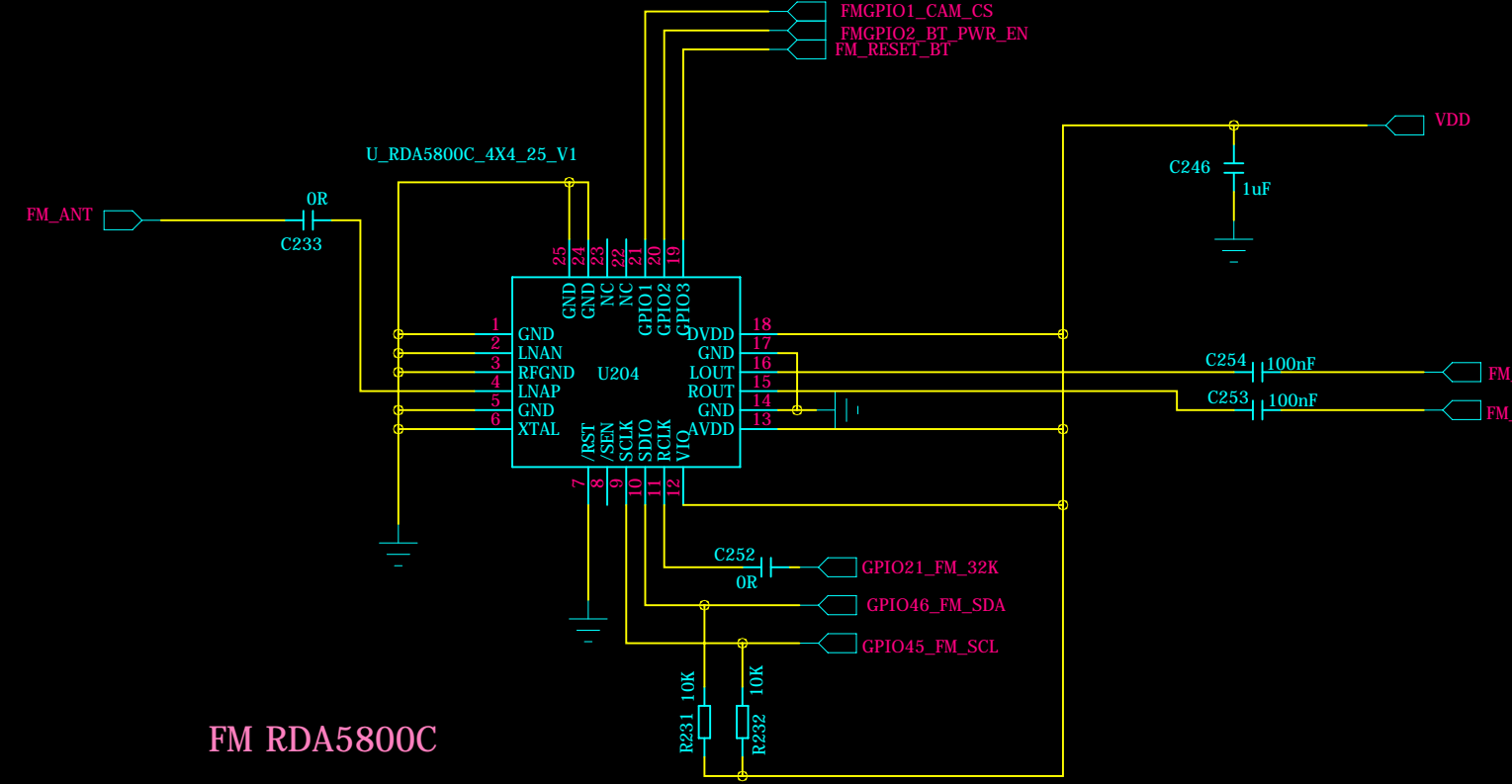
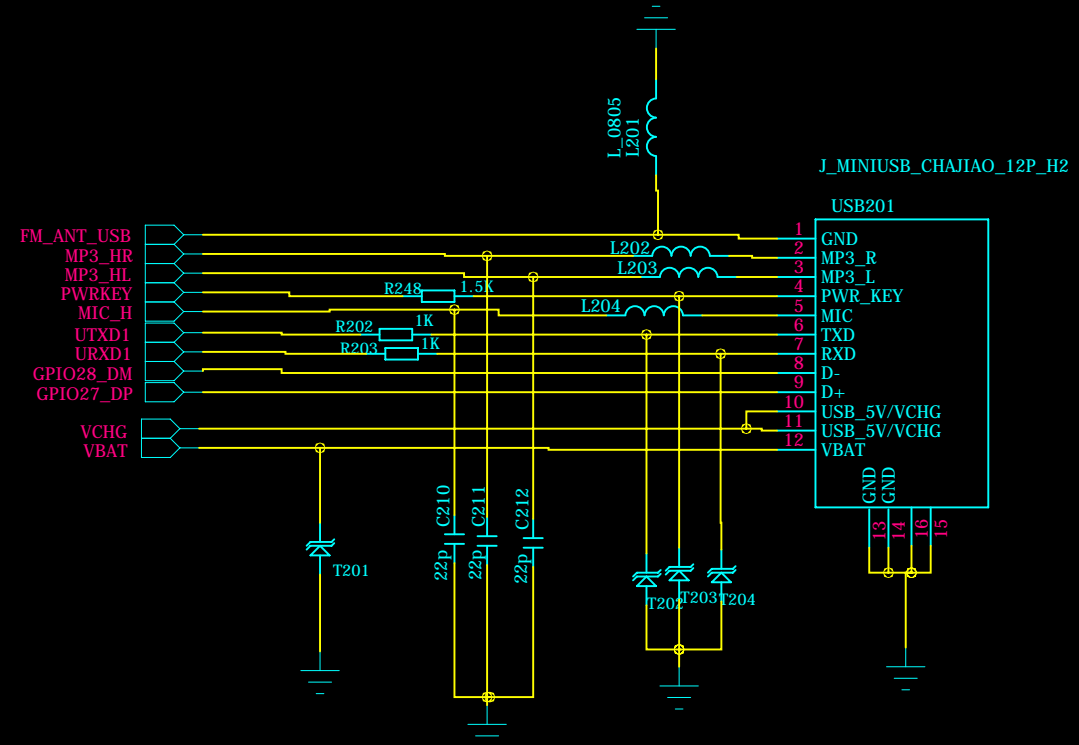
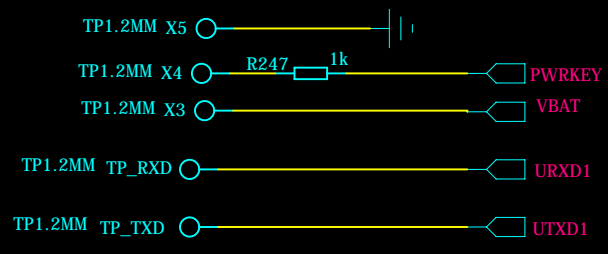


IFLY COMMUNICATION Co.Ltd		File NO:
MODEL:	F100	Drawing NO:
TITLE:		STANDARD:
SCH:	V1.1	PCB:
DESIGN:		CHECK:
		APPROVE:

# FLASH



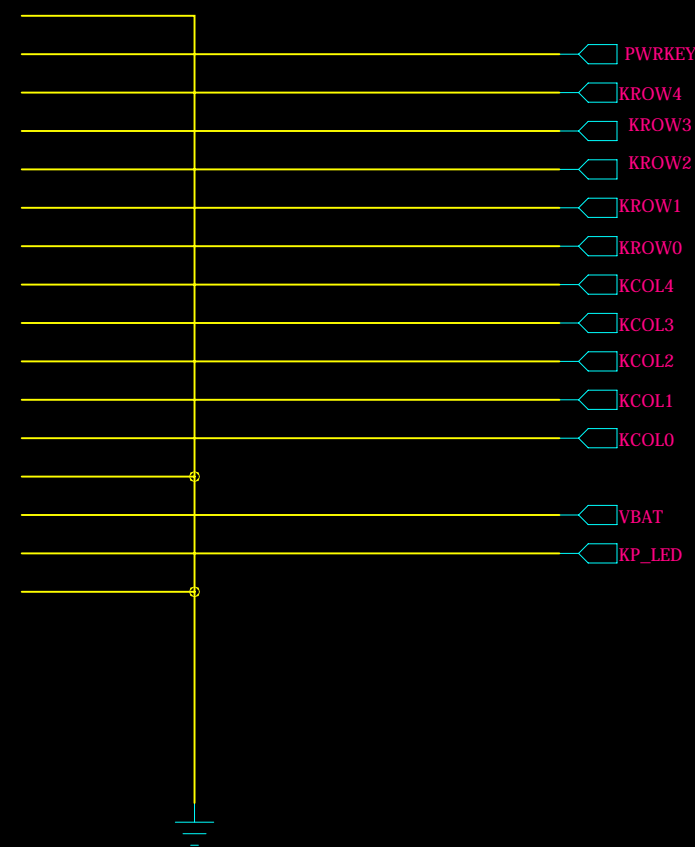
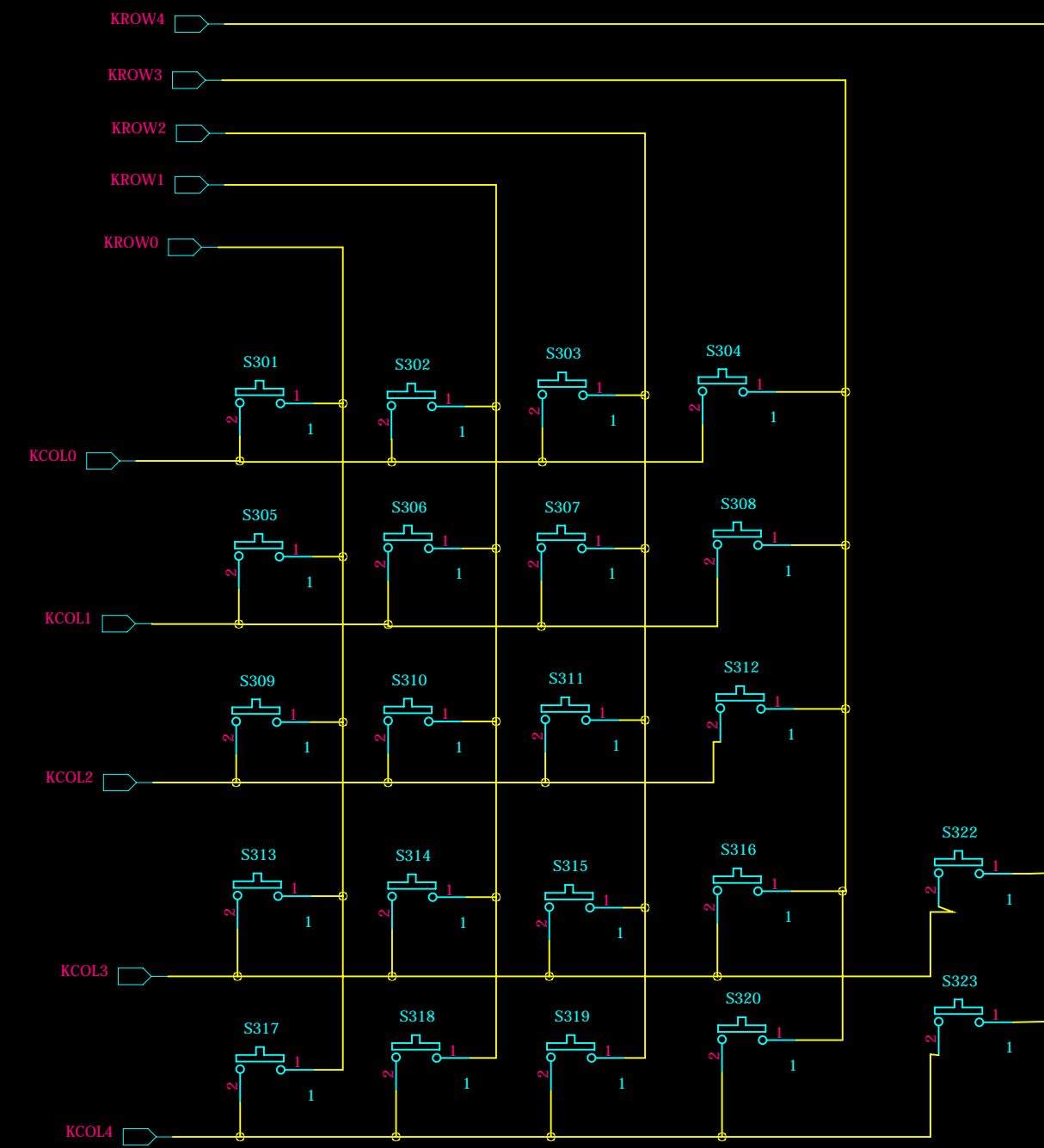
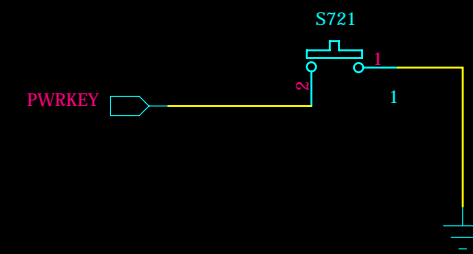
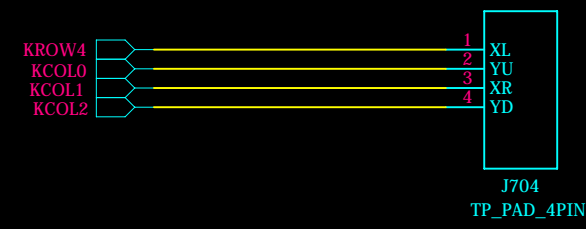
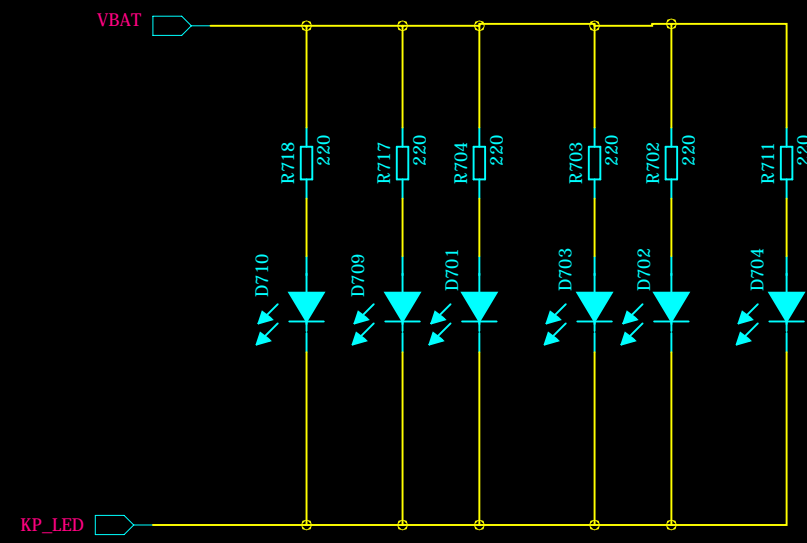
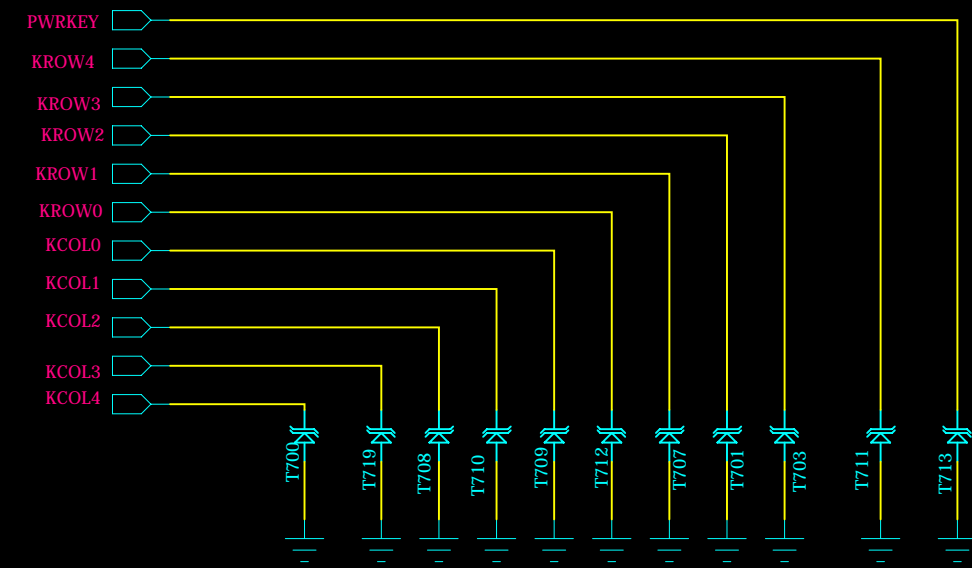
	R331	R332	R333	R334	R407	R408
SAMEBUS	NC	0 ohm	NC	0 ohm	0 ohm	NC
BT_FLASH	0 ohm	NC	0 ohm	NC	0 ohm	NC
BT_FLASH	NC	0 ohm	NC	0 ohm	NC	0 ohm



Pay Attention To T307,T309

# 12PIN MINI USB

IFLY COMMUNICATION Co.Ltd		File NO:
MODEL:	F100	Drawing NO:
TITLE:		STANDARD:
SCH: V1.1	PCB:	CHECK:
DESIGN:		APPROVE:



KROW \ KCOL	KROW0	KROW1	KROW2	KROW3	KROW4		
KCOL0	1	2	3	up			
KCOL1	4	5	6	down			
KCOL2	7	8	9	left			
KCOL3	*	0	#	right	FM		
KCOL4	return	confirm	dial2	ok	dial1		

IFLY COMMUNICATION Co.Ltd		File NO:
MODEL:	F100	Drawing NO:
TITLE:		STANDARD:
SCH:	V1.1	PCB:
DESIGN:		CHECK:
		APPROVE: