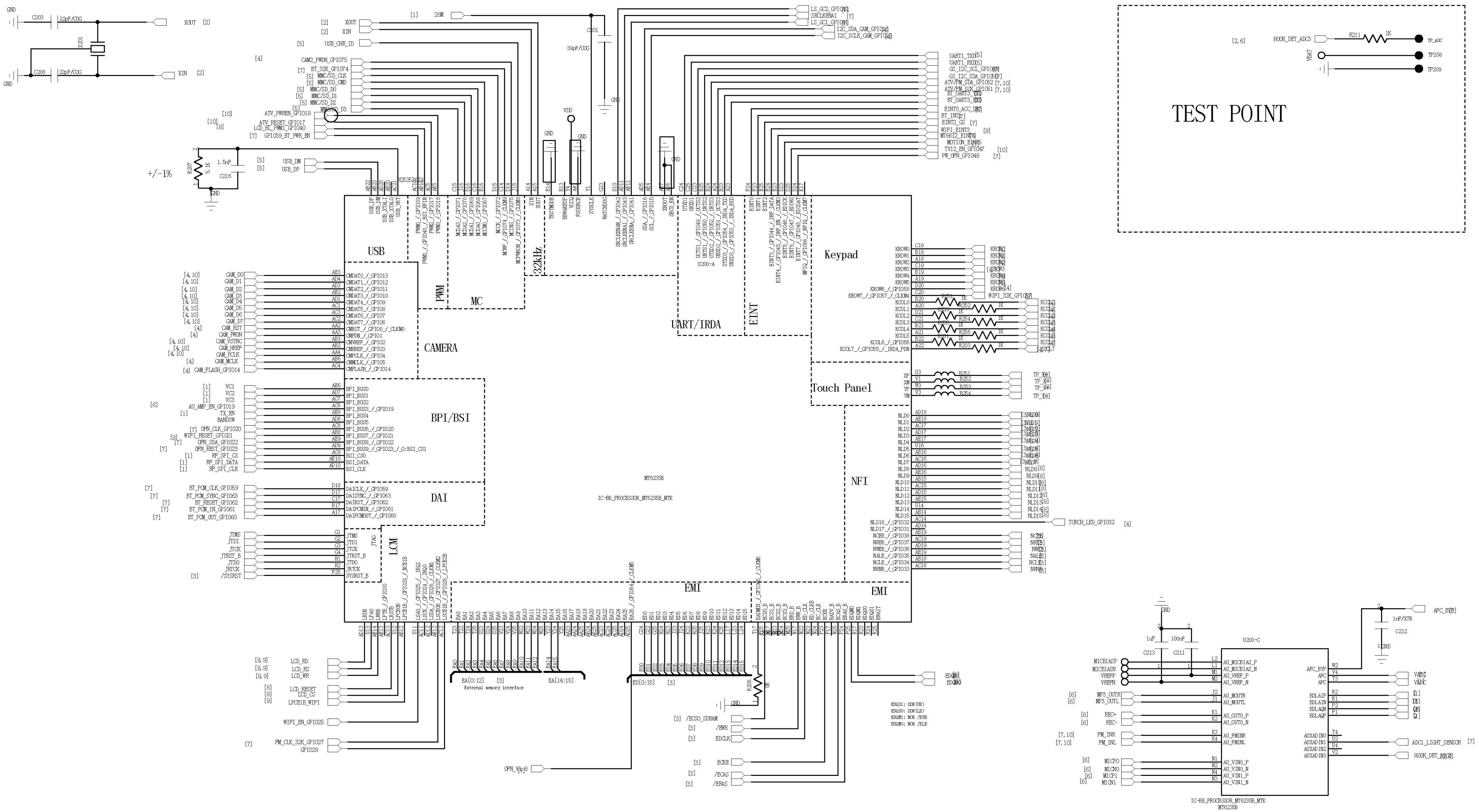
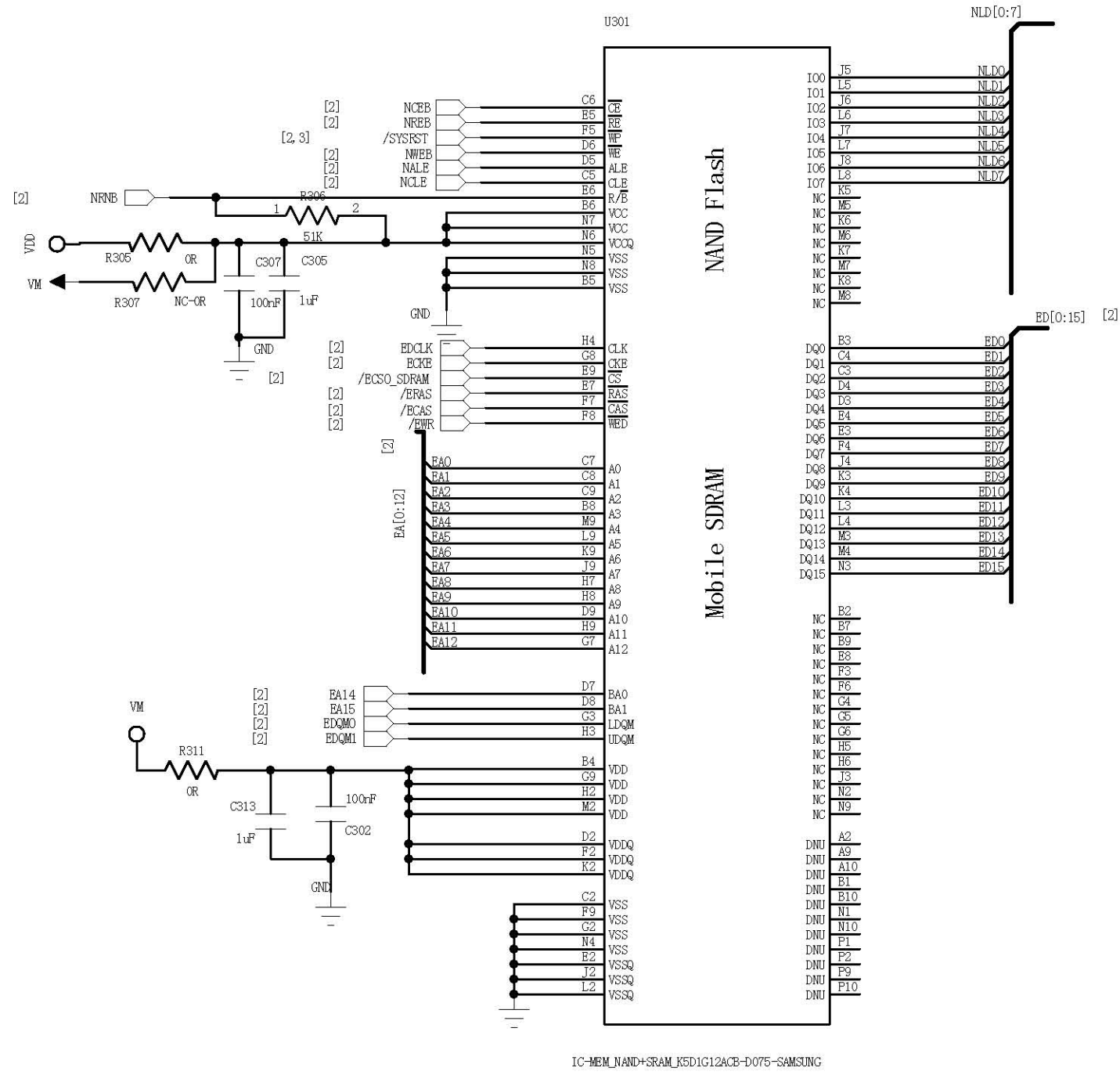


plum		MODEL:	PO03		DRAWING NO.:
DRAWN		TITLE:	RF		VERSION:
CHECKED		DATED			SHEET:
		DATED			1.0
					1/6

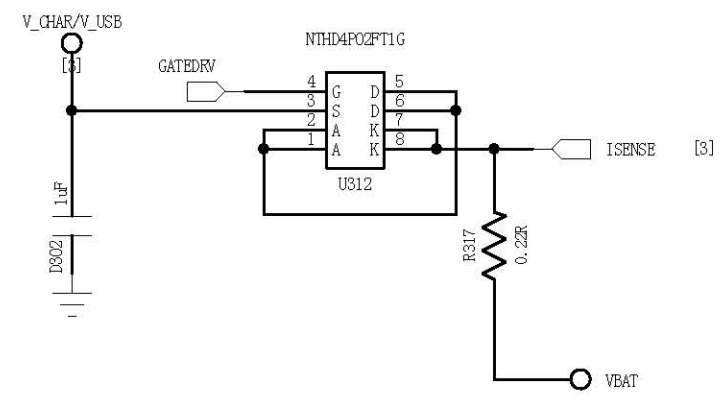


<h1>plum</h1>		MODEL: P003	DRAWING NO. :	
DRAWN	DATED	TITLE:	VERSION: 1.0	SHEET: 2/7
CHECKED	DATED			

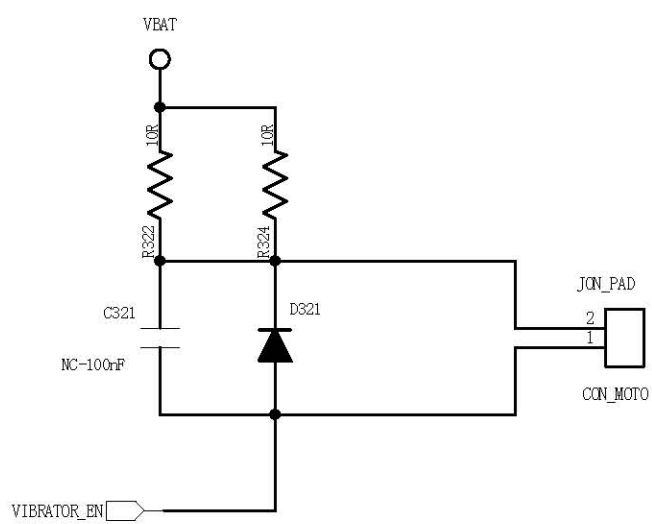
NAND SDRAM MCP (301-320)



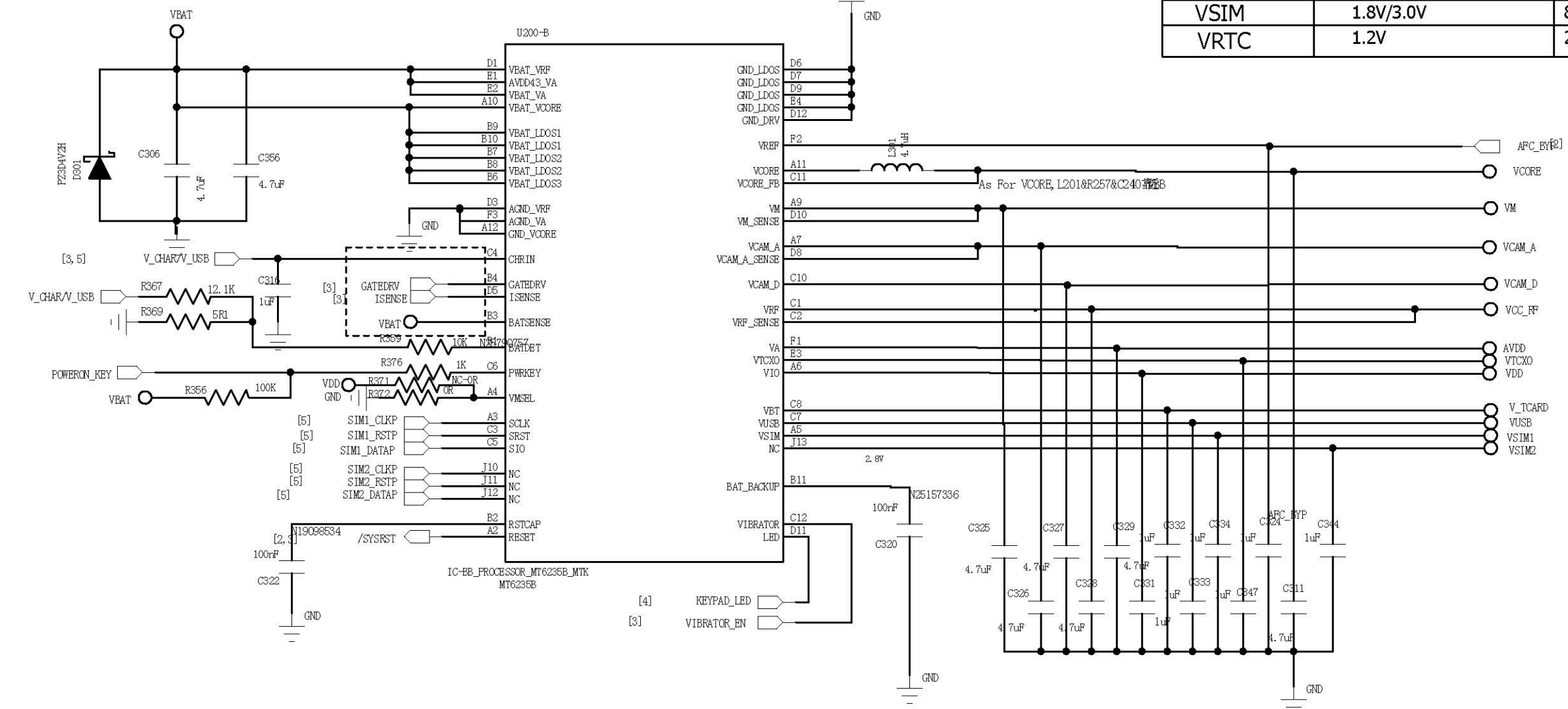
CHARGE (311-320)



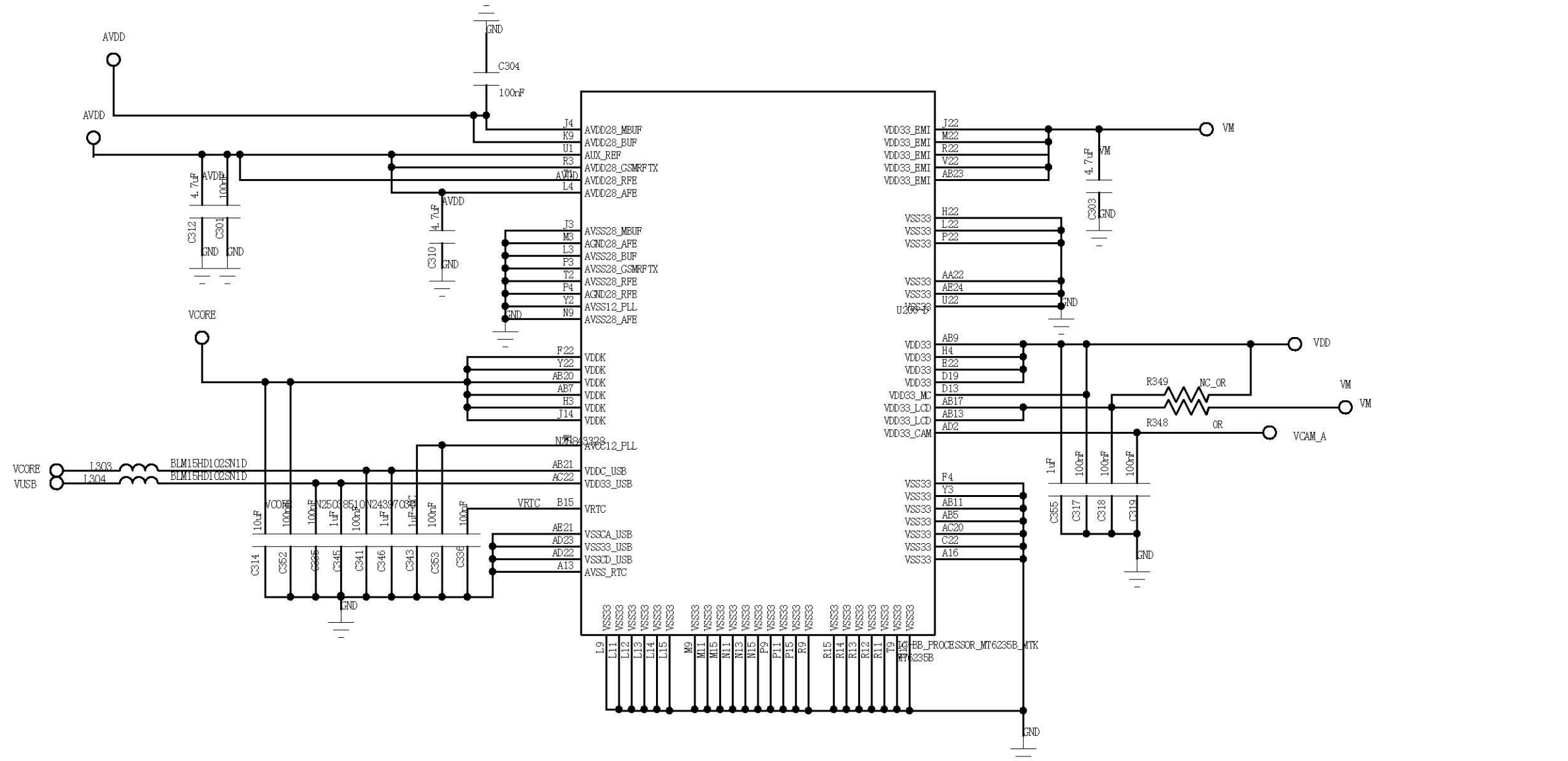
VIB (321-330)



MT6235 PMU (341-370)

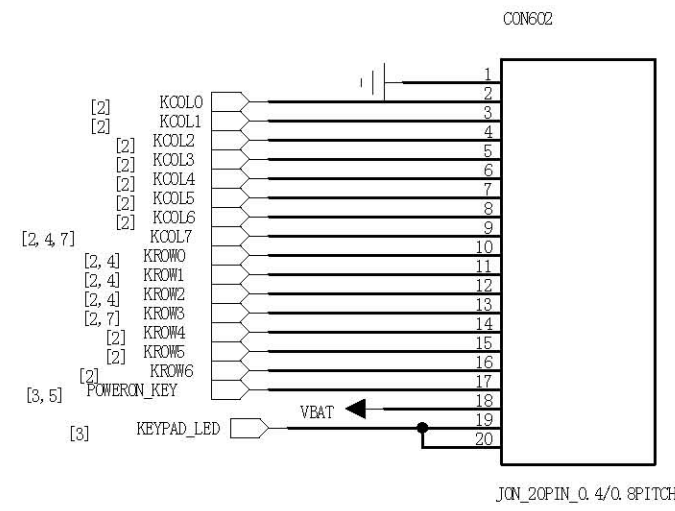


Power	VOUT	MAX_CUR
Vcore	1.2V/0.8V	350mA
VM	1.8V/2.8V	300mA
VCAM_A	1.5V/1.8V/2.5V/2.8V	250mA
VCAM_D	1.3V/1.5V/1.8V/2.8V	75mA
VRF	2.8V	350mA
VA	2.8V	125mA
VTCXO	2.8V	40mA
VIO	2.8V	100mA
VBT	2.8V/3.0V	100mA
VUSB	3.3V	75mA
VSIM	1.8V/3.0V	80mA
VRTC	1.2V	20uA



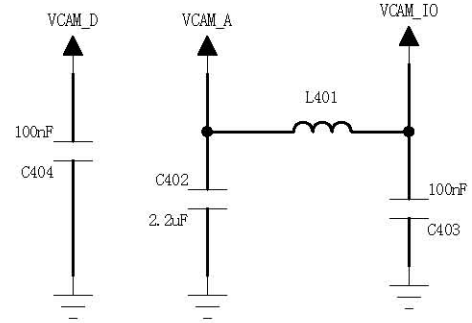
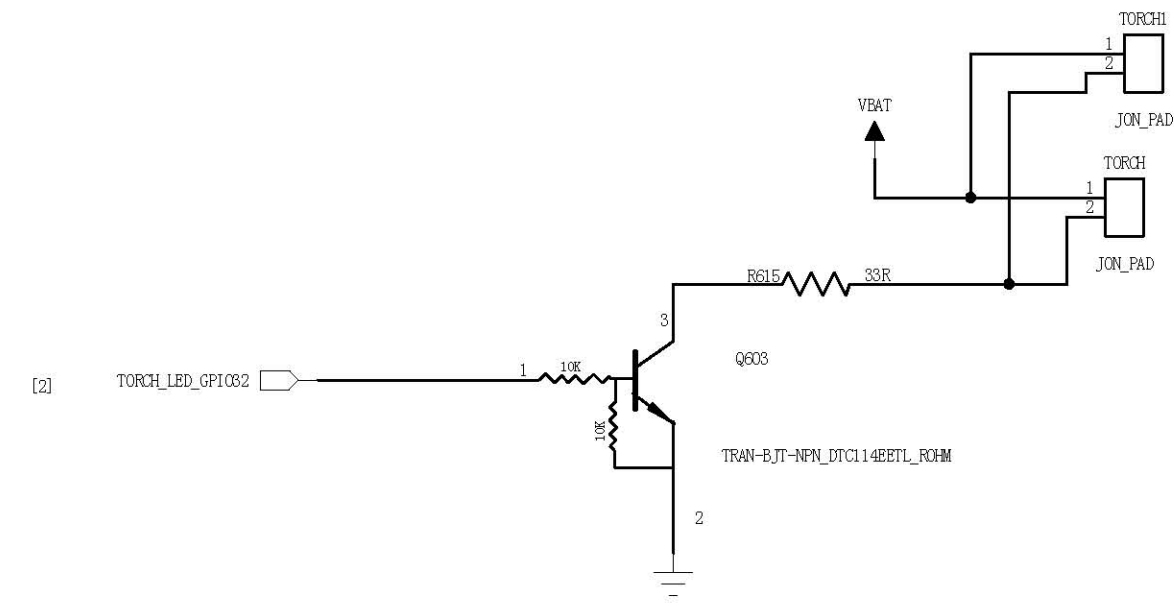
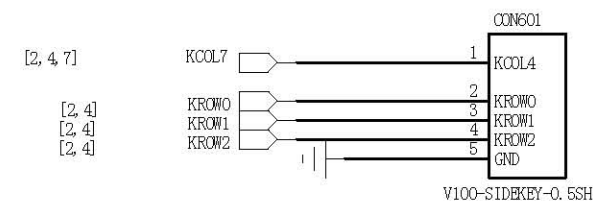
plum		MODEL: P003	DRAWING NO. :	
DRAWN	DATED	TITLE:	VERSION: 1.0	SHEET: 3/7
CHECKED	DATED			

KAYPAD

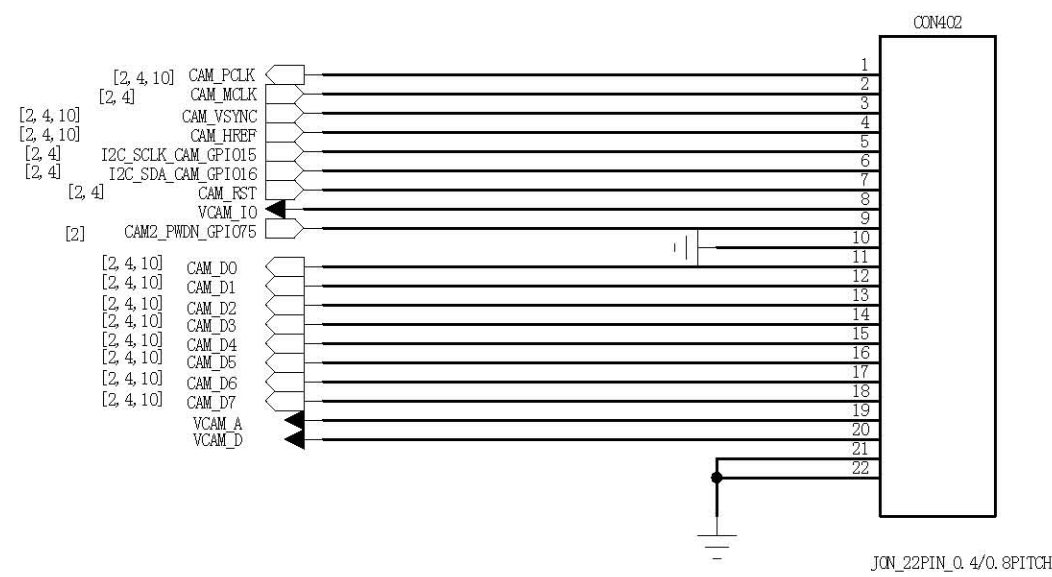


SIDE KEY

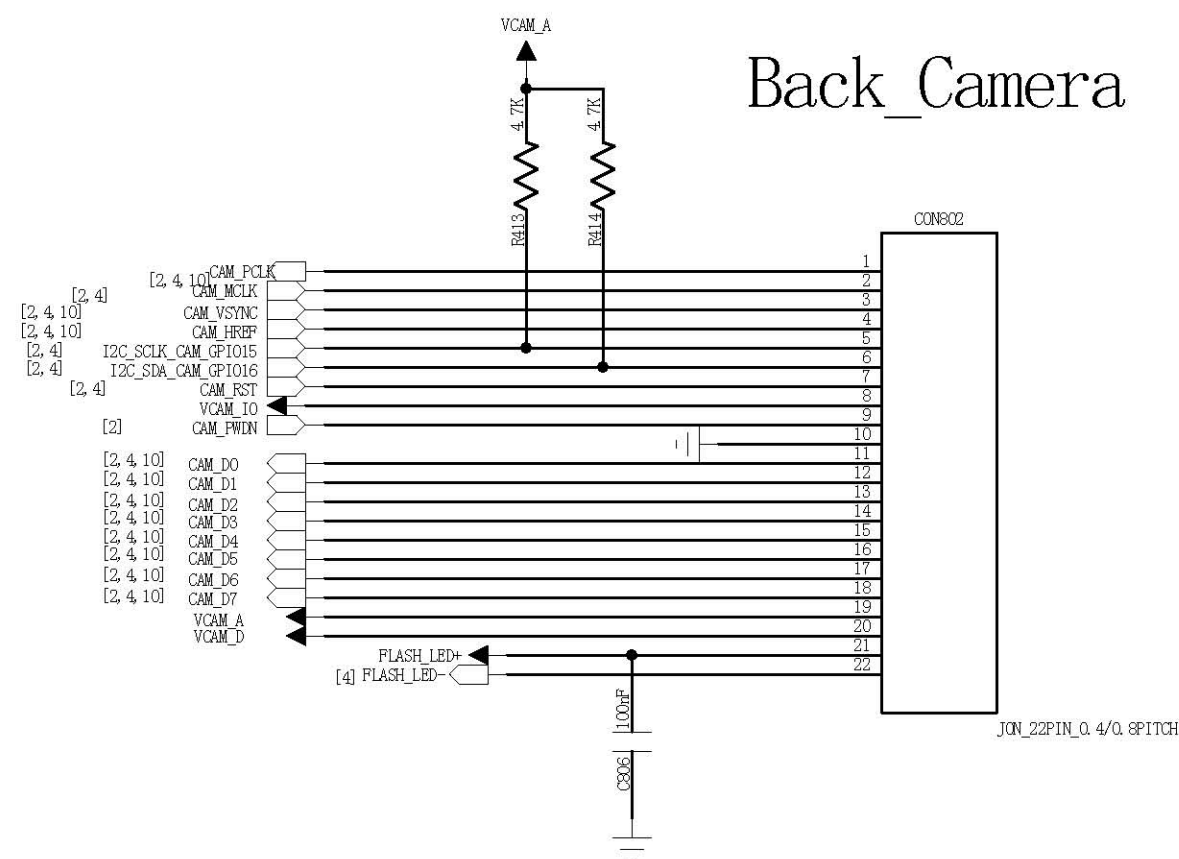
[Vo1-] [Vo1+] [CAPTURE]



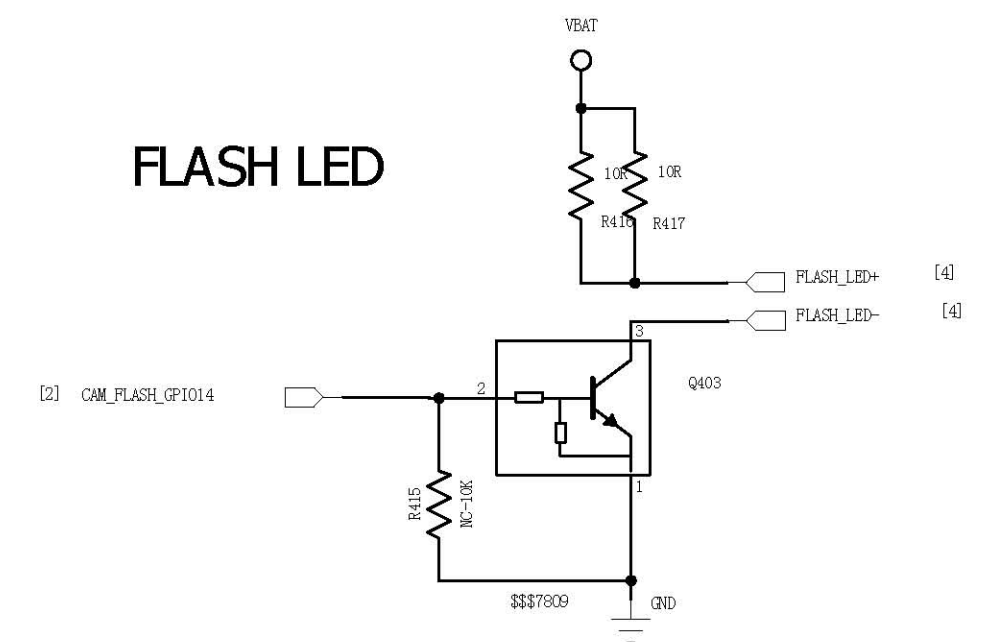
Front_Camera



Back_Camera



FLASH LED



plum

MODEL: P003

DRAWING NO. :

DRAWN

DATED

2008. 9. 10

TITLE: BB-UI

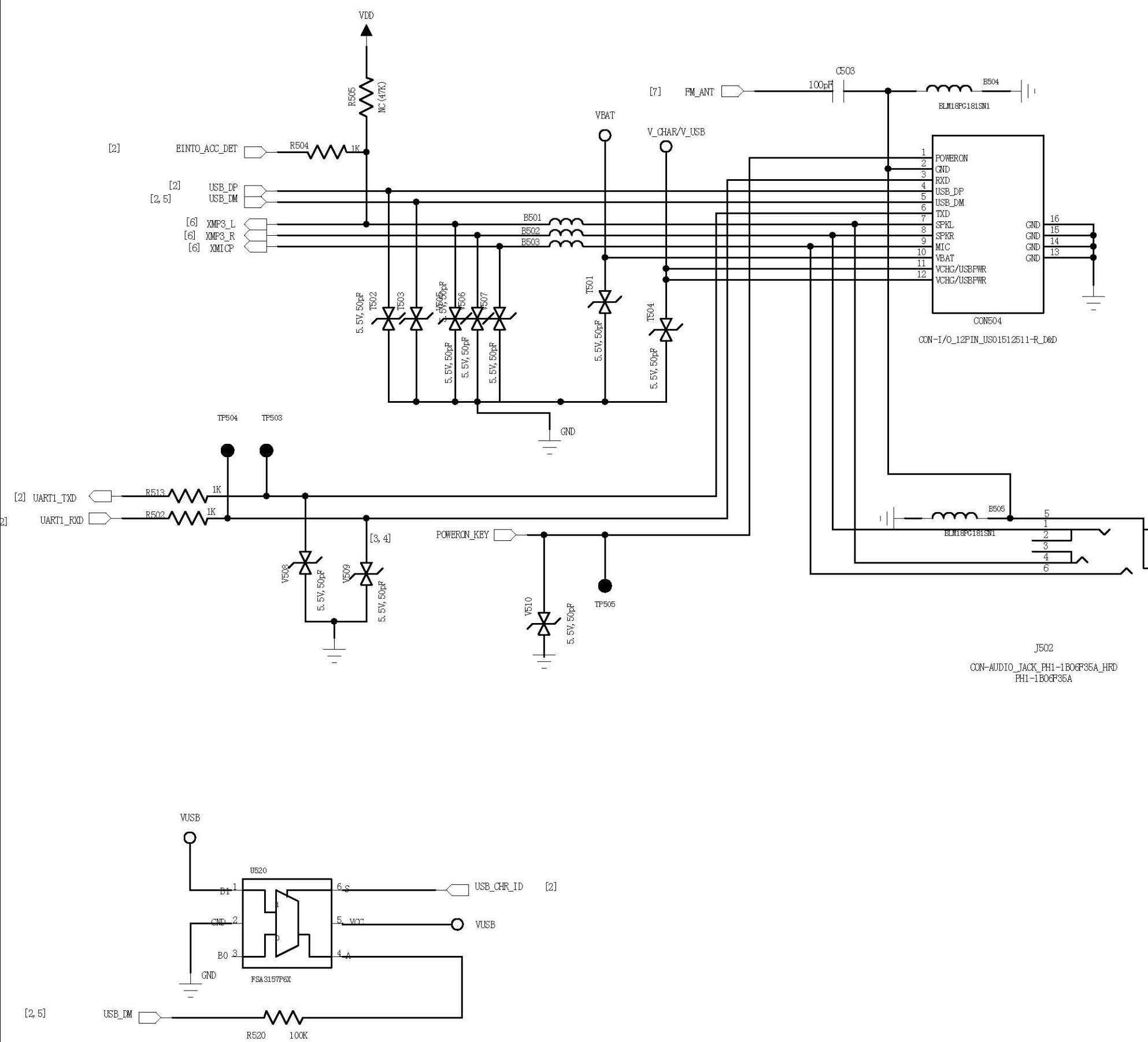
VERSION: 1. 0

SHEET: 4/7

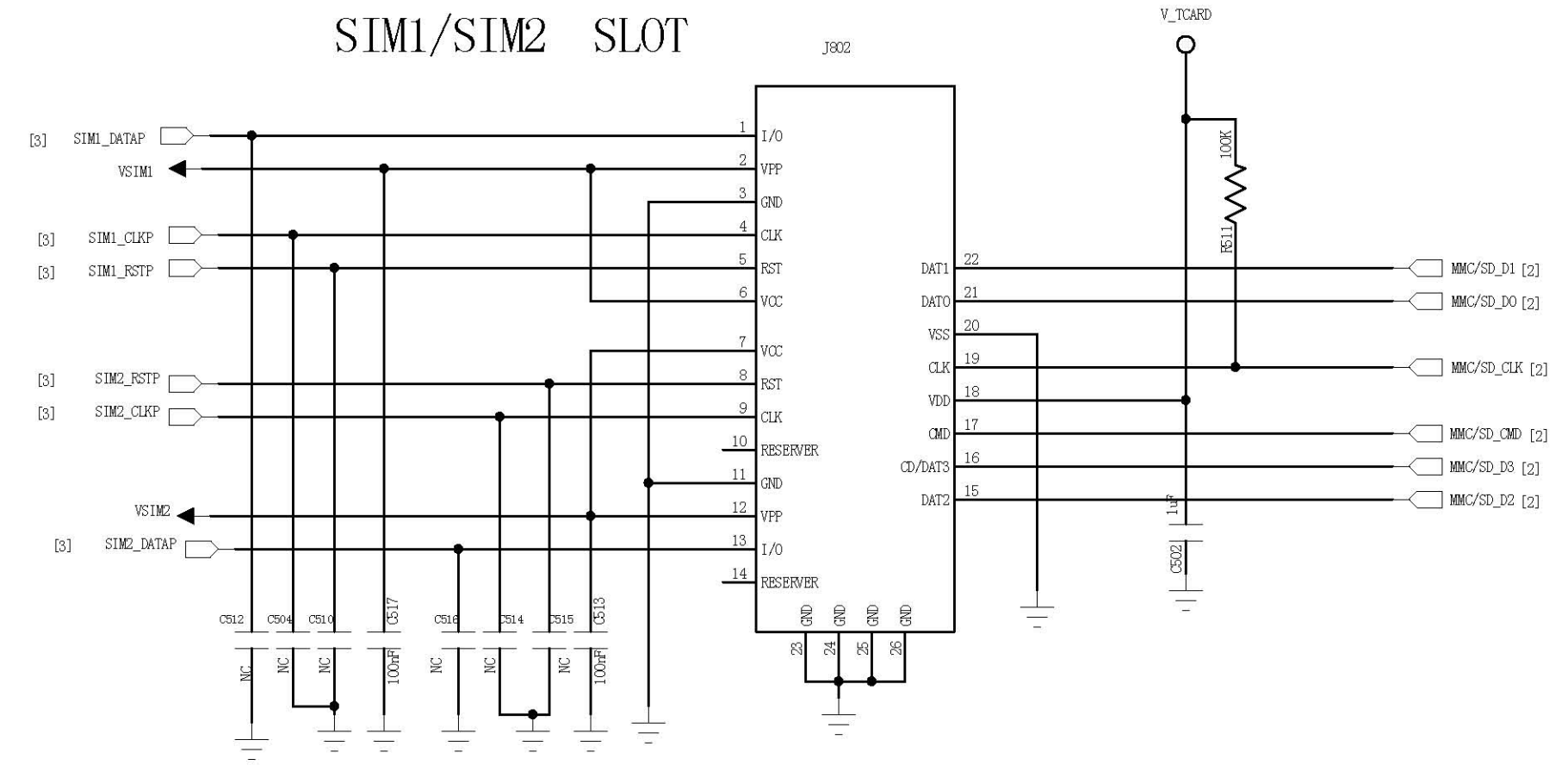
CHECKED

DATED

MICRO 12 PIN I/O CONNECTOR(520-540)

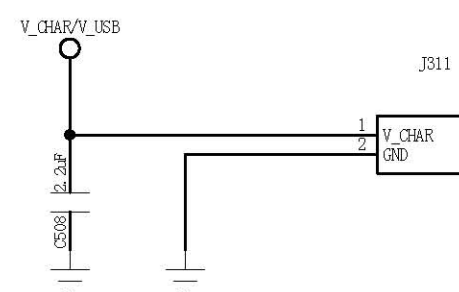
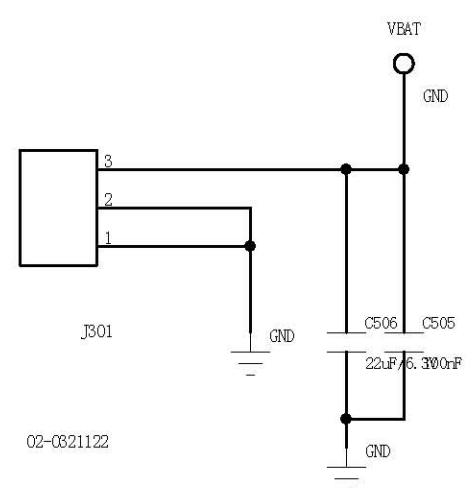


SIM1/SIM2 SLOT



BATTERY CONNECTOR(541-550)

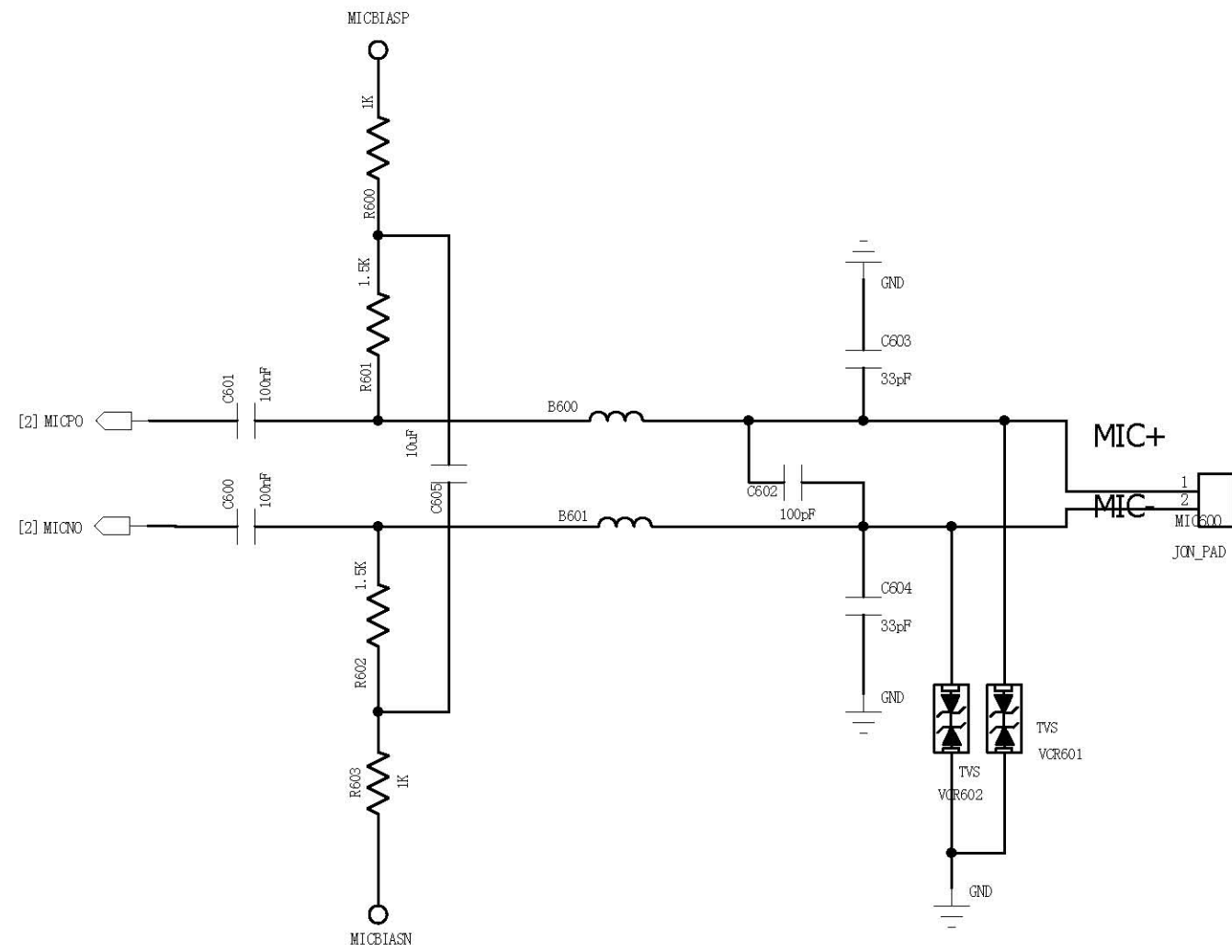
DC_JACK



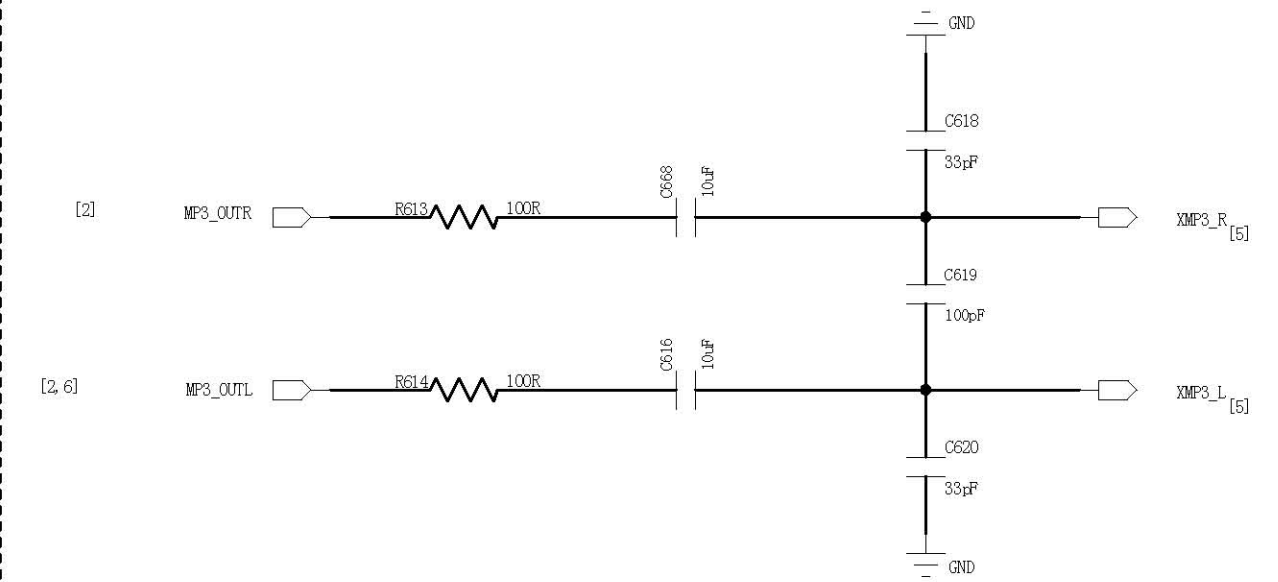
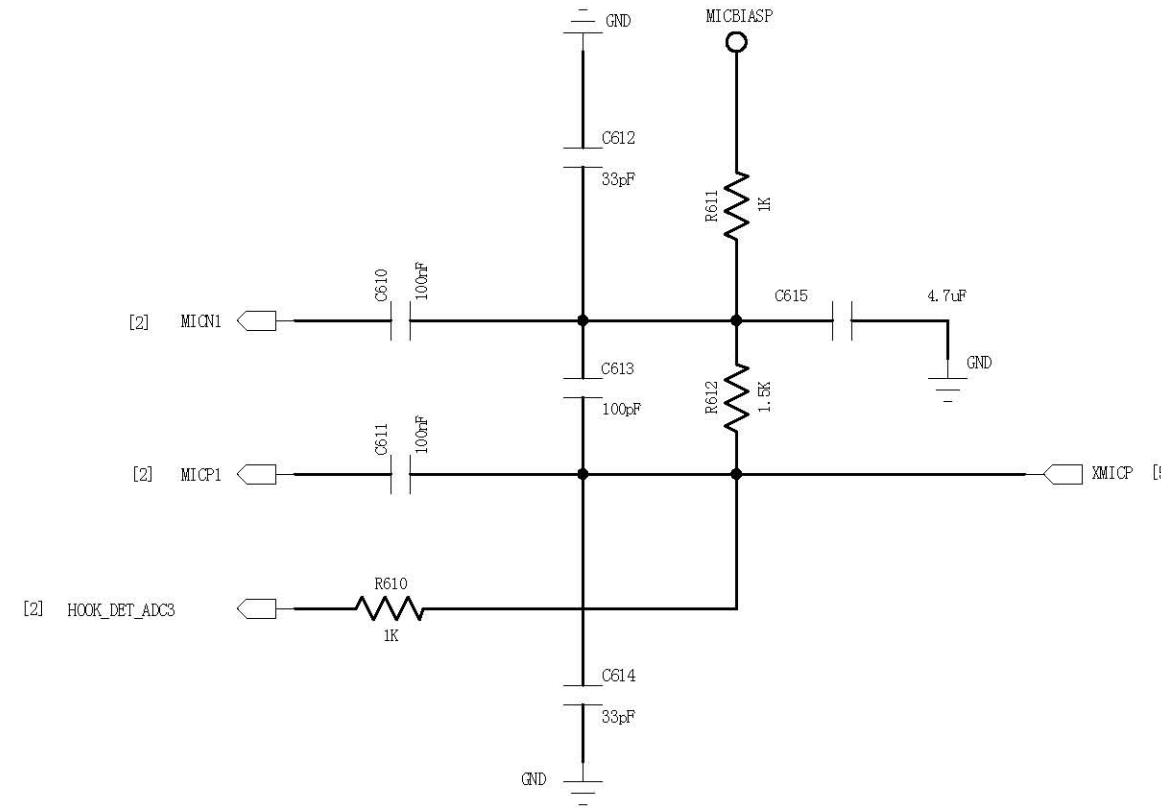
02-0821122

plum				MODEL: P003	DRAWING NO. :	
DRAWN		DATED	2008. 9. 10	TITLE: BB-INTERFACE	VERSION: 1. 0	SHEET: 5/7
CHECKED		DATED				

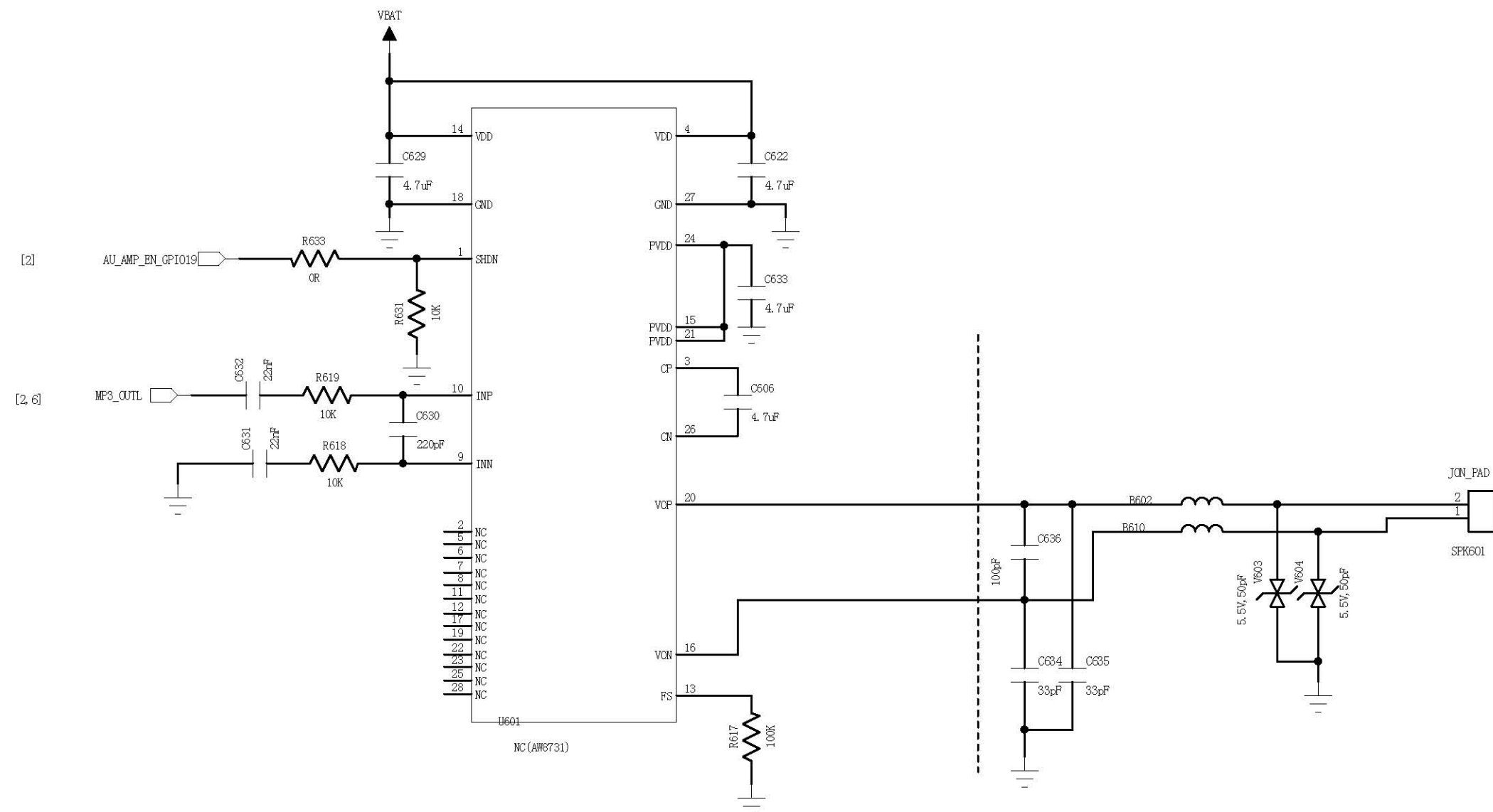
MIC (600-609)



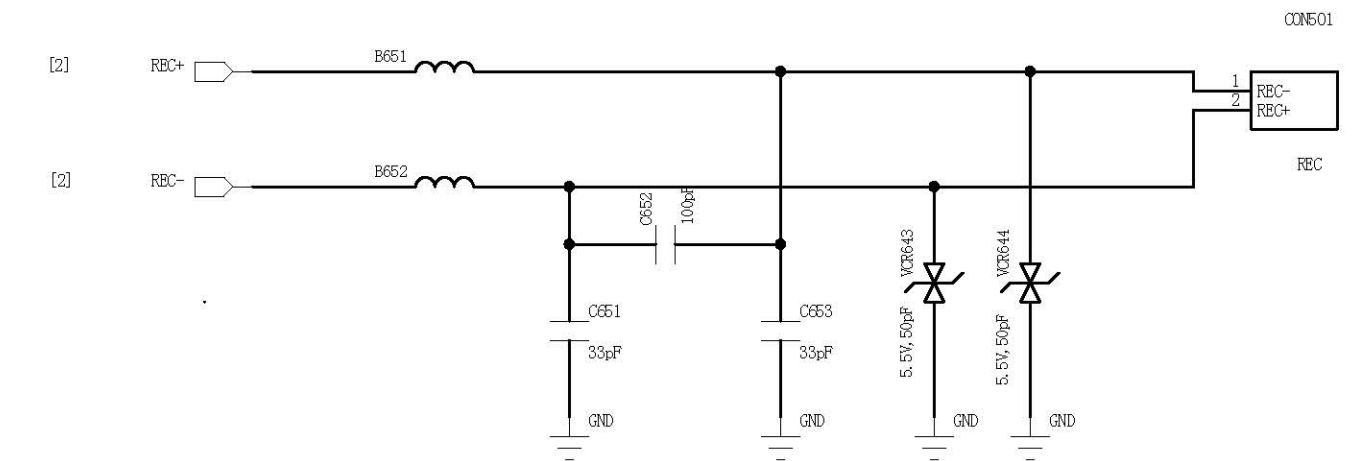
EARPHONE & MIC (610-629)



AUDIO PA (631-640)

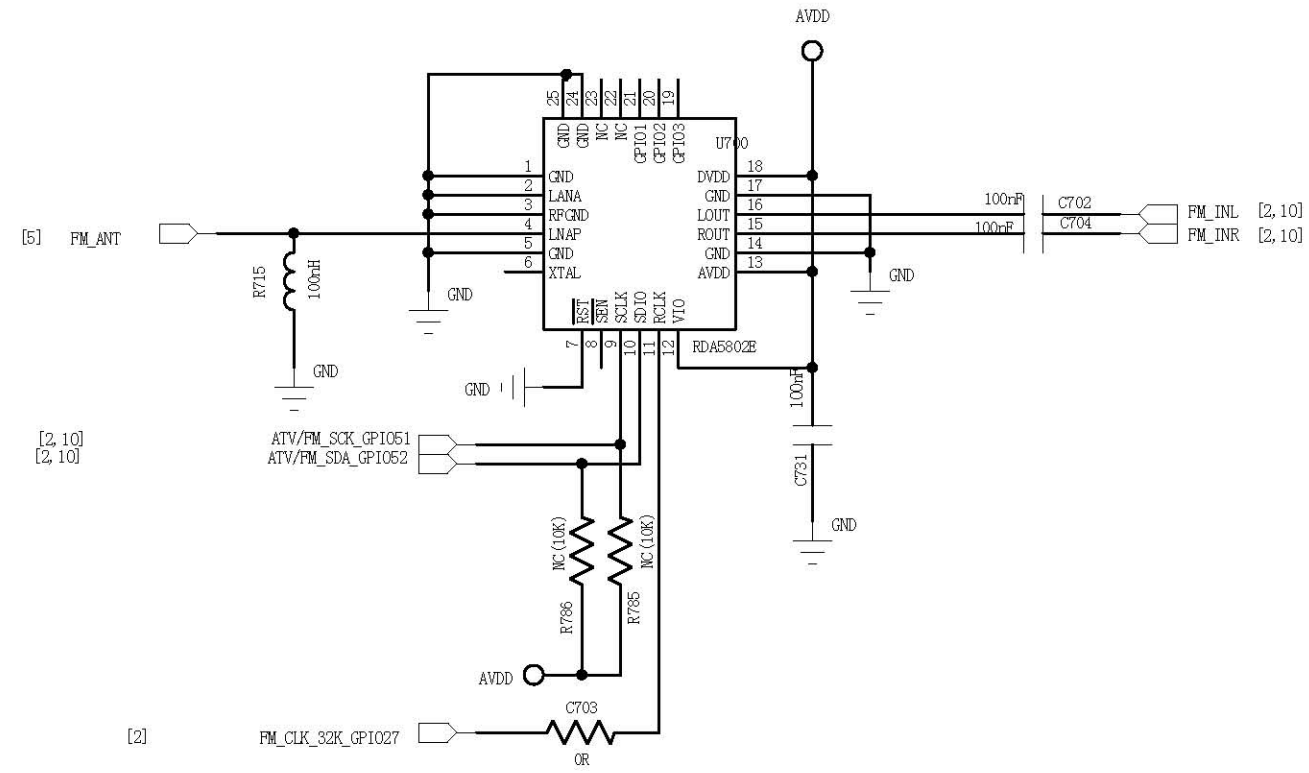


RECEIVER (651-660)

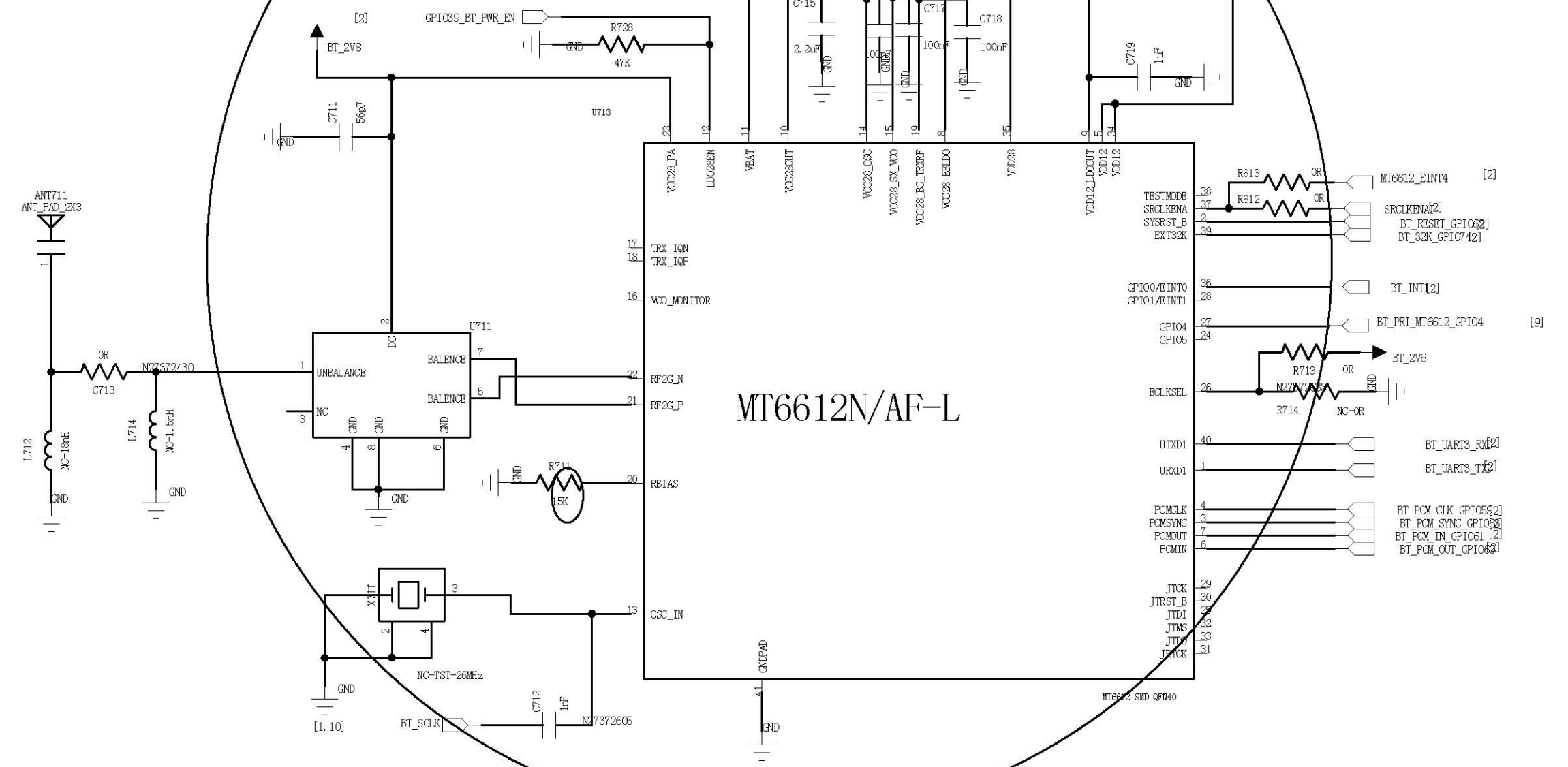


plum		MODEL:	P003	DRAWING NO. :	
DRAWN		DATED	2008. 9. 10	TITLE:	BB-AUDIO
CHECKED		DATED		VERSION:	1. 0
				SHEET:	6/7

FM(700-720)

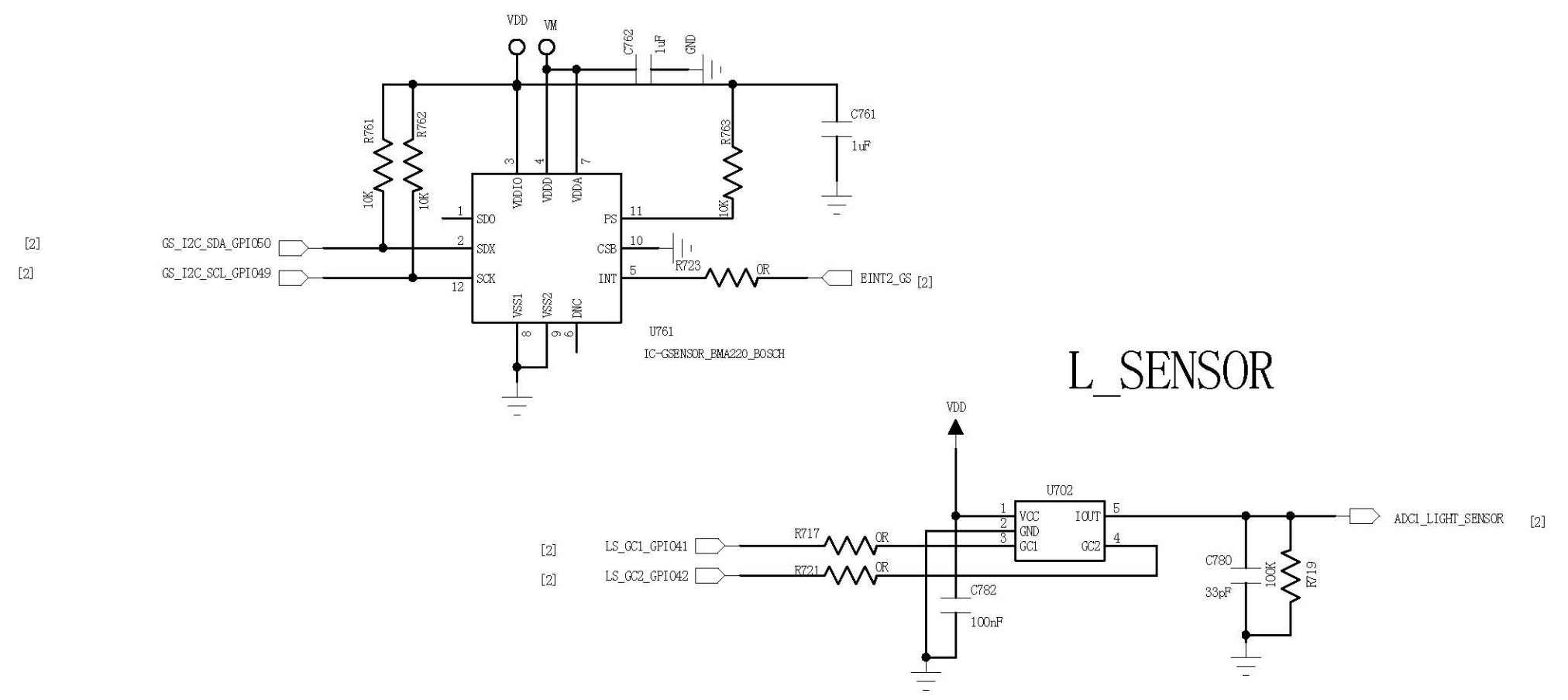
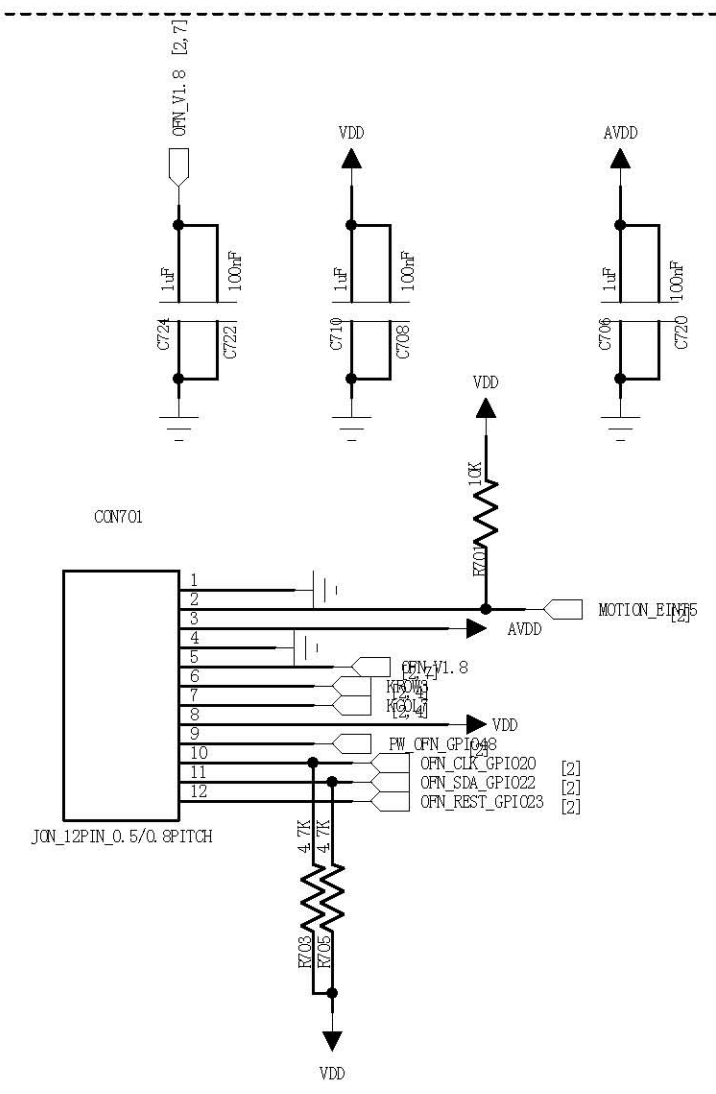


CLK => R108
 EDIFS => GP1076, IRDA_FTW
 EDIAT => U7202



BLUETOOTH(711-730)

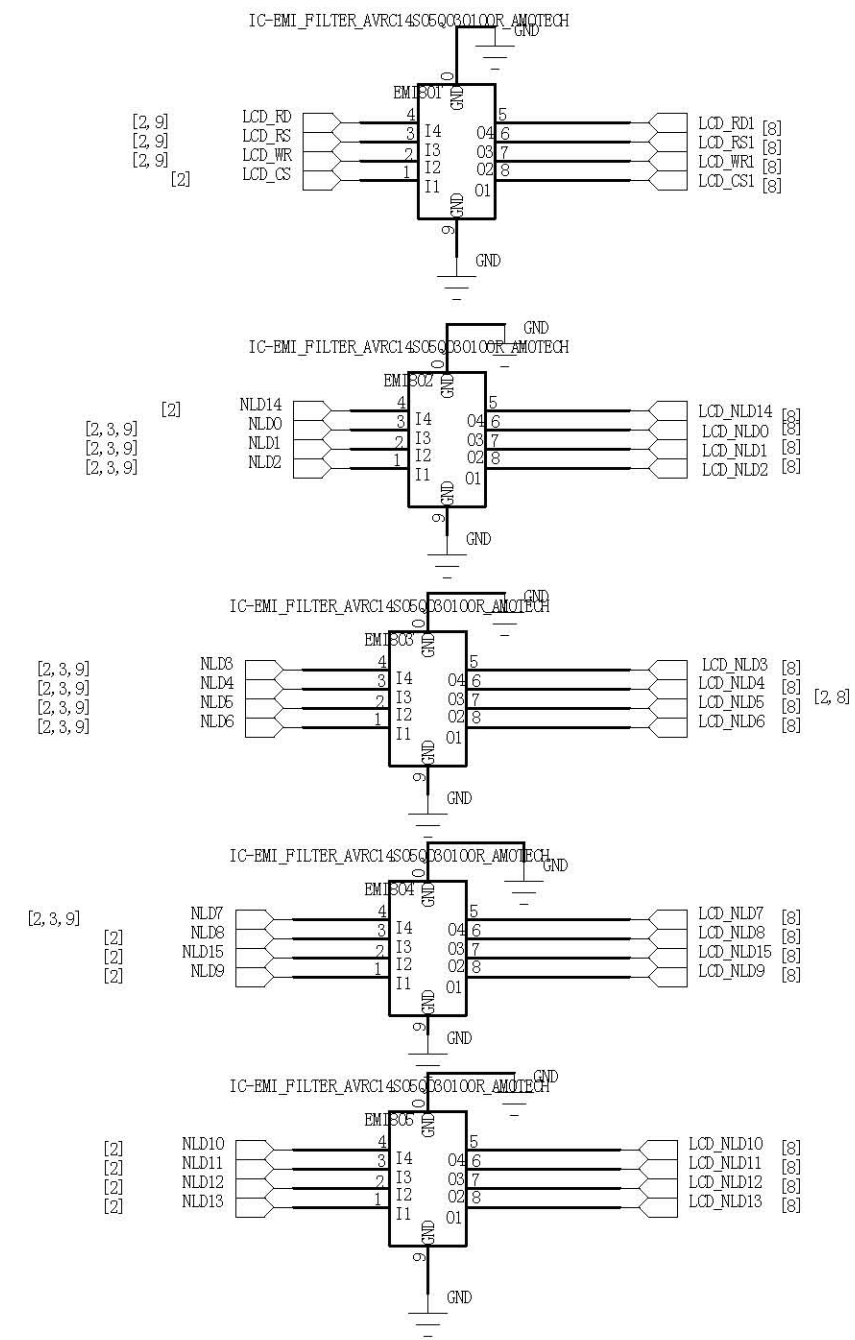
G_SENSOR(751-770)



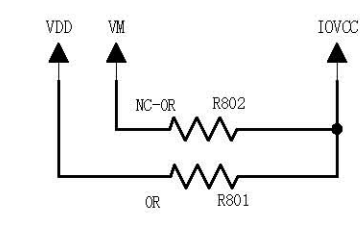
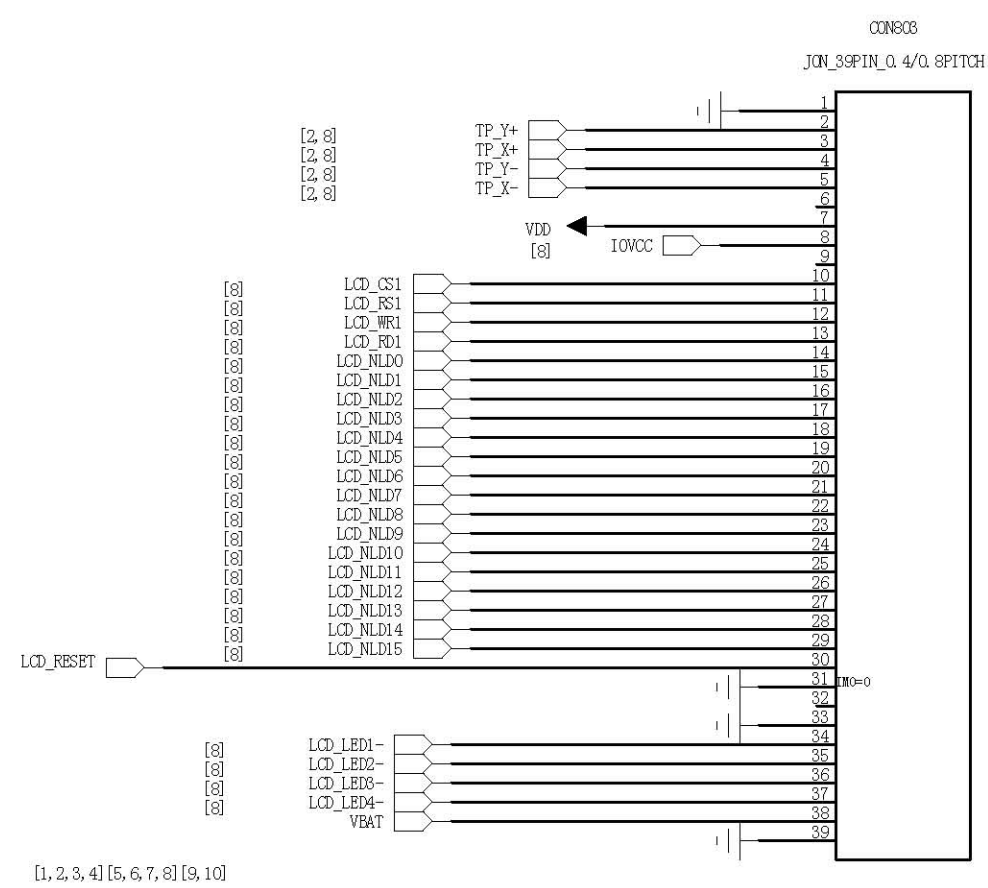
L_SENSOR

plum		MODEL:	P003	DRAWING NO. :	
DRAWN		DATED	2008. 9. 10	TITLE:	RF-FM
CHECKED		DATED		VERSION:	1.0
				SHEET:	7/7

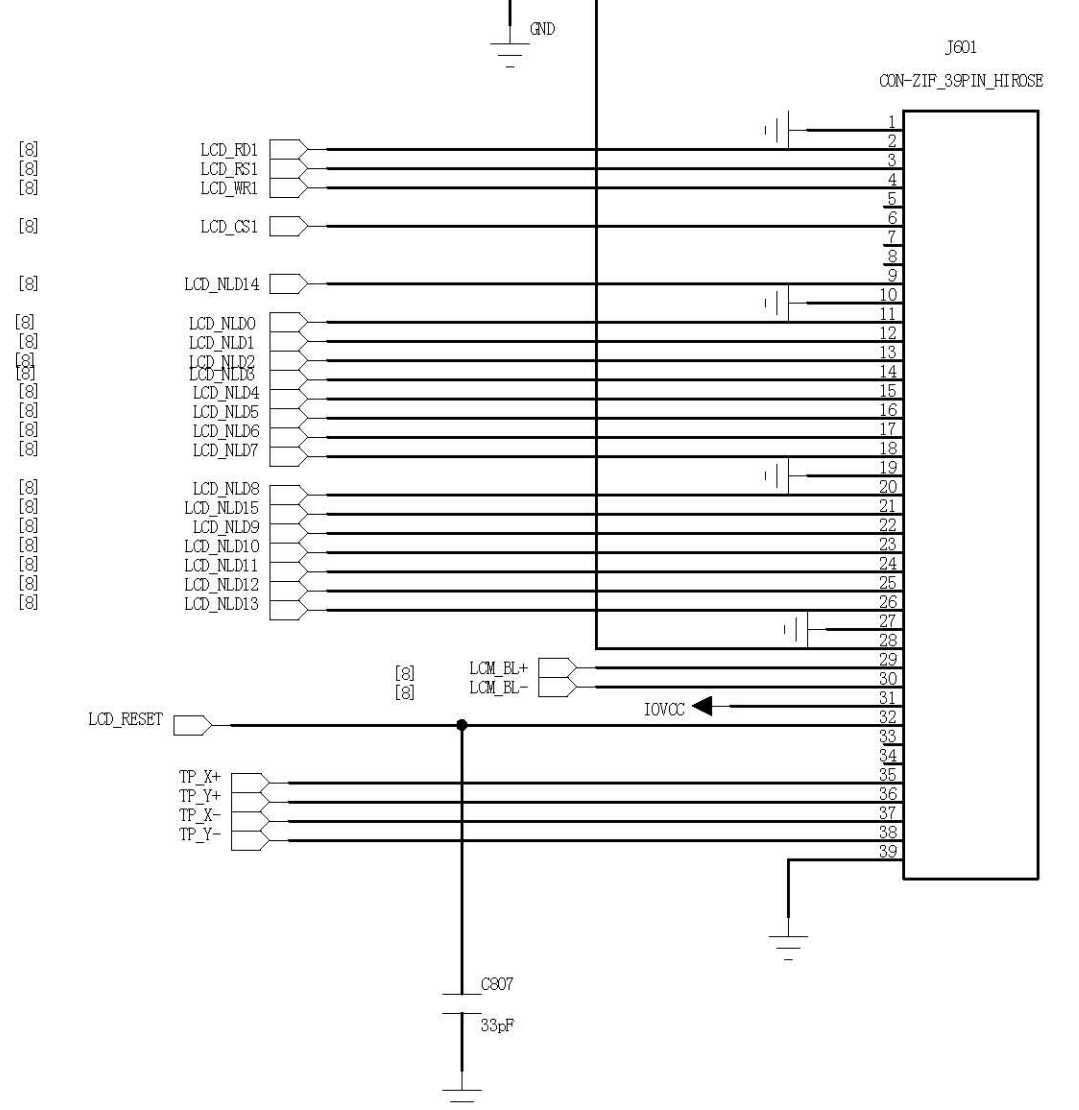
LCD CONNECTOR (800-810)



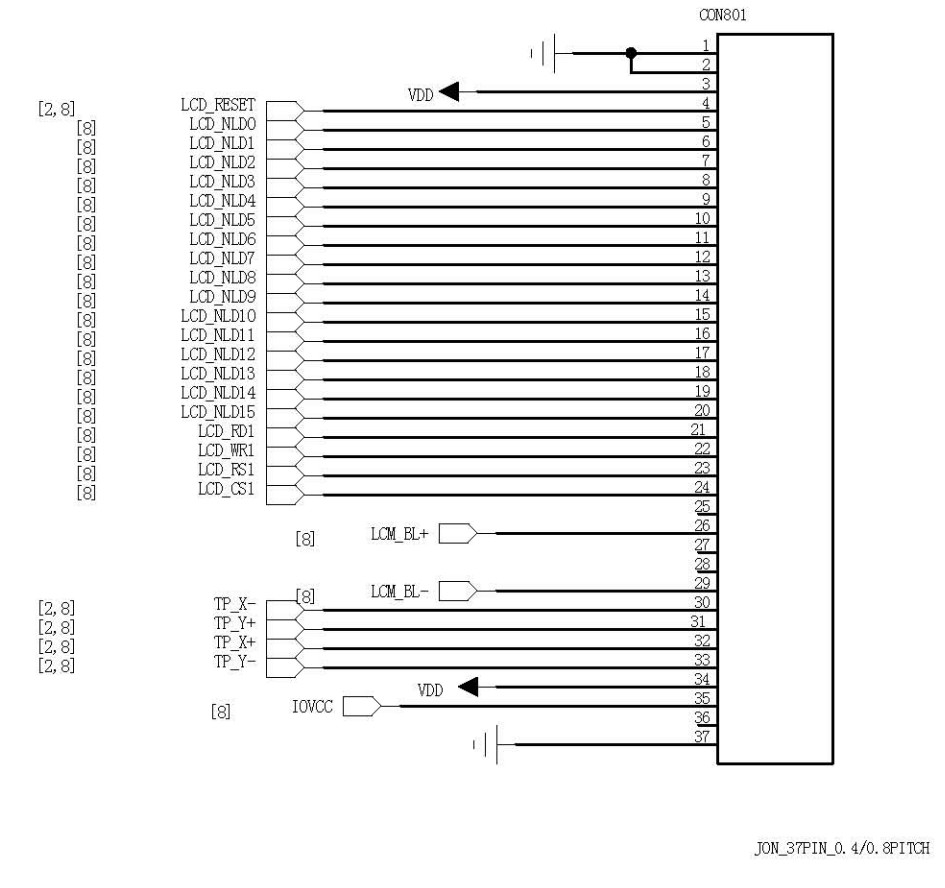
2.2' LCM



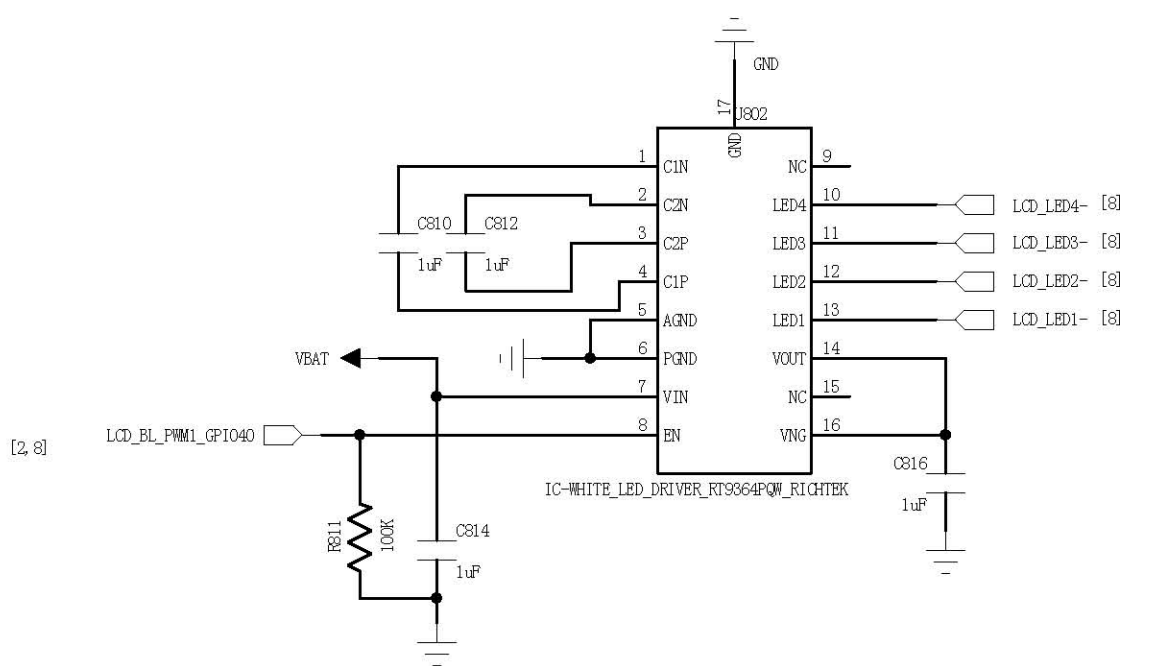
2.5'ZIF LCM



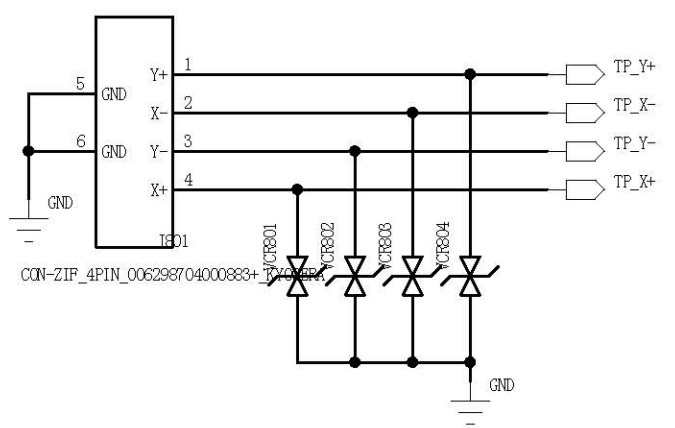
2.5' LCM



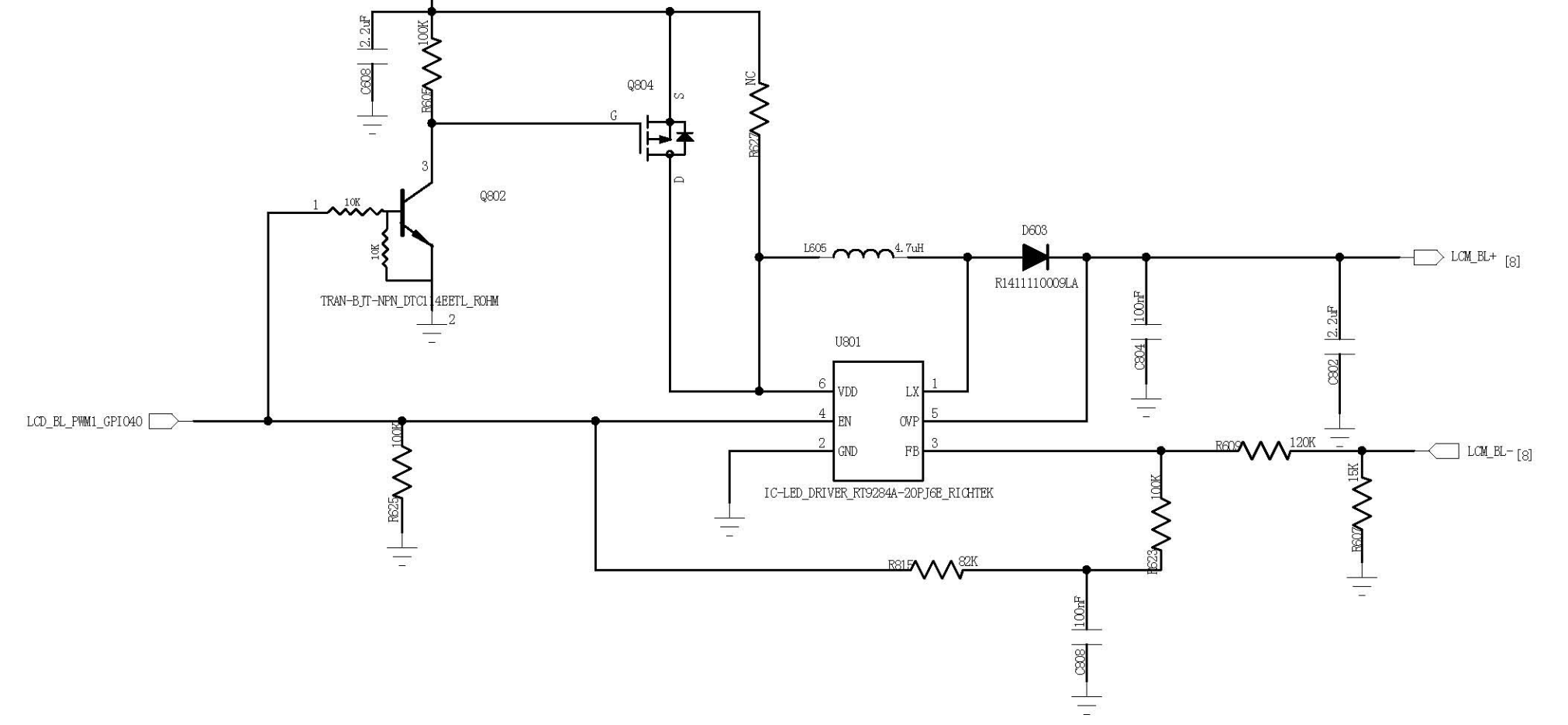
BL DRIVER (881-891)



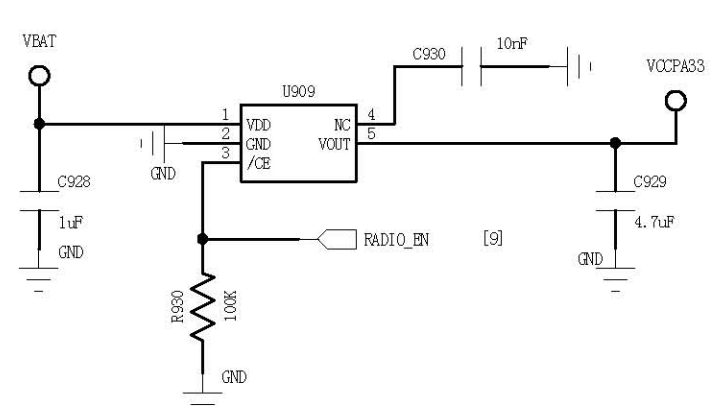
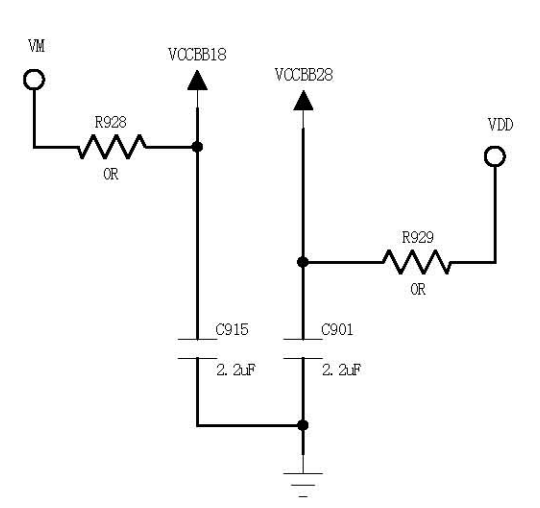
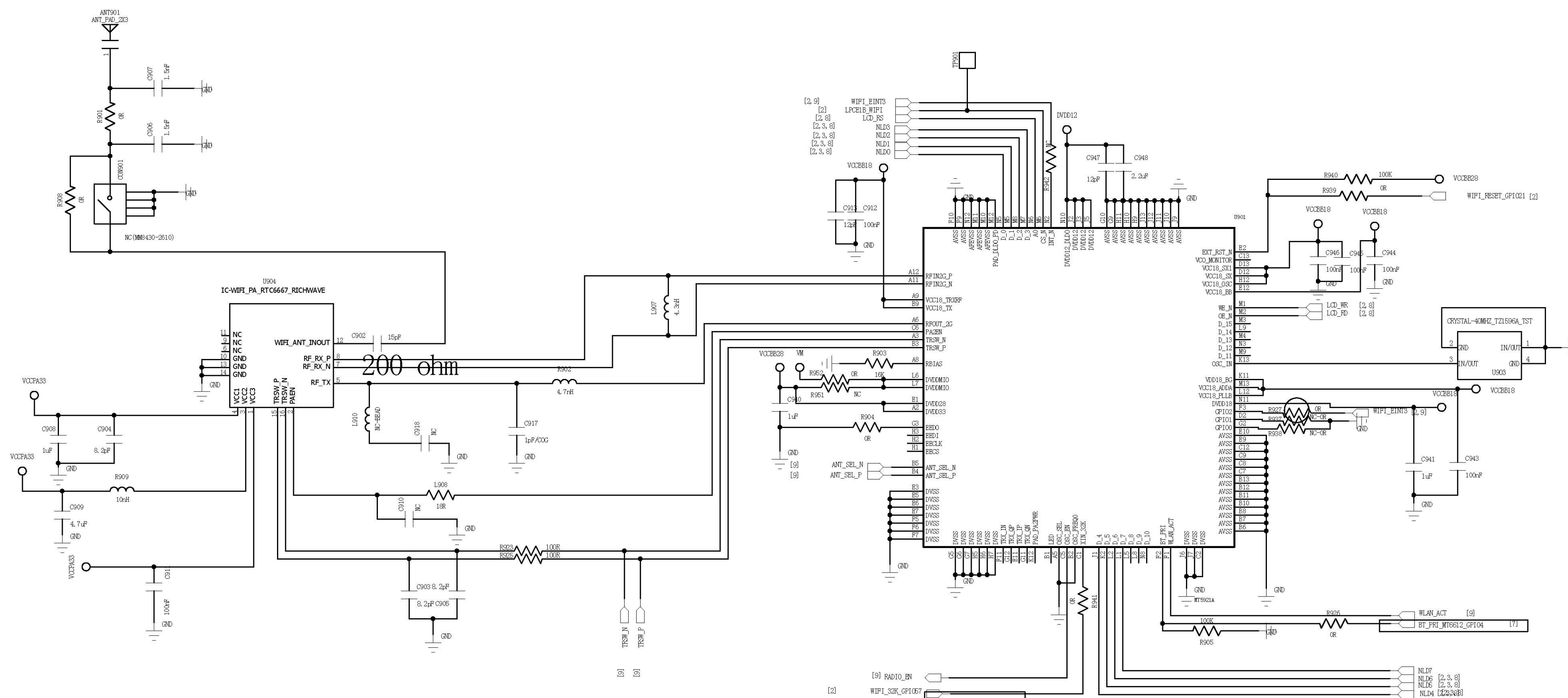
TP



BACKLIGHT



plum		MODEL: P003	DRAWING NO. :	
DRAWN	DATED	TITLE:	VERSION:	SHEET:
CHECKED	DATED			



MODE SELECTION

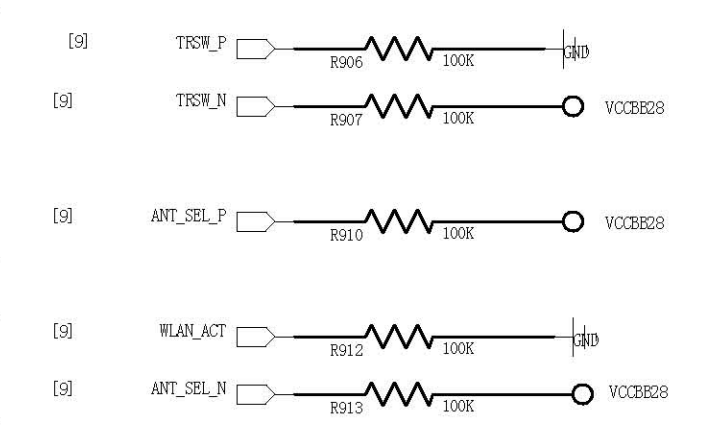
	TRSR_P	TRSW_N	ANTSEL_P
EHPI16	0	1	0
EHPI8	0	1	1
SDIO	0	0	0

FREQUENCY SELECTION

	WLAN_ACT	ANTSEL_N	OSC_FREQ0
40MHz	0	1	0

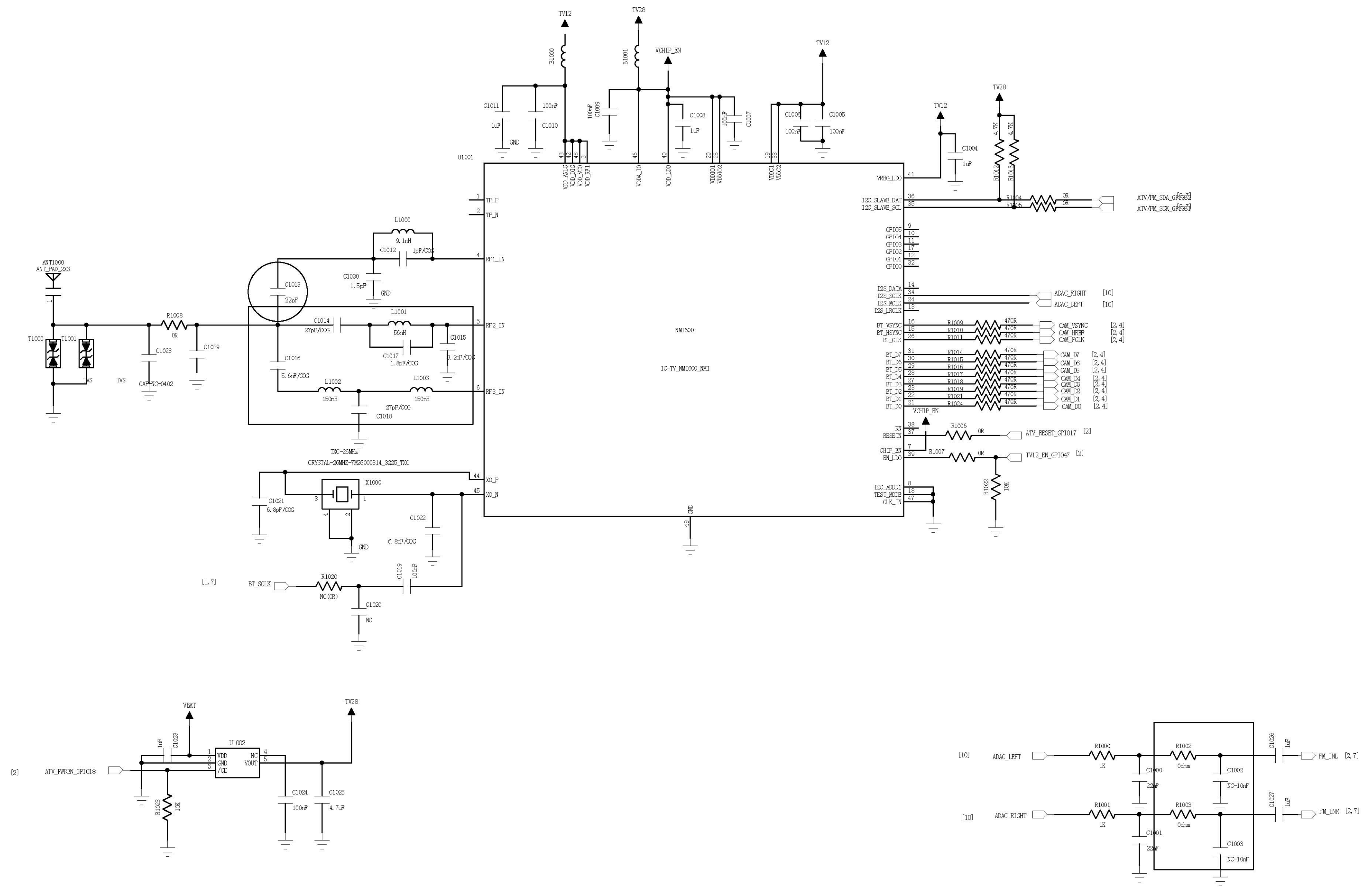
CLOCK SELECTION

	TRSR_P
OSC	1
CRYSTAL	0



plum		MODEL:	P003		DRAWING NO. :	
DRAWN		DATED		TITLE:	VERSION: 1.0	SHEET:
CHECKED		DATED				

NEWPORT ATV (NMI600)



plum		MODEL: P003	DRAWING NO. :	
DRAWN		DATED	TITLE:	
CHECKED		DATED	VERSION:	SHEET: