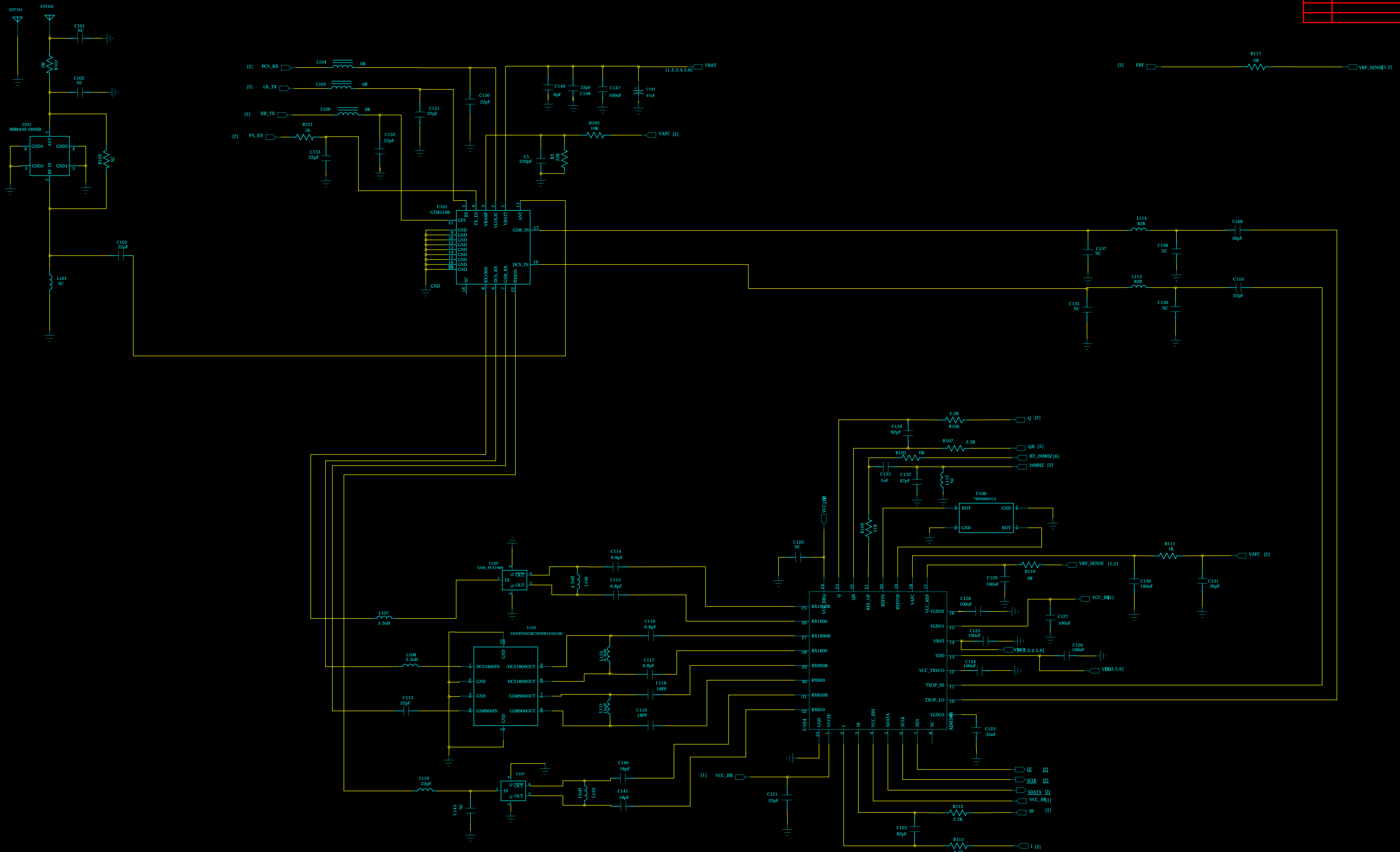
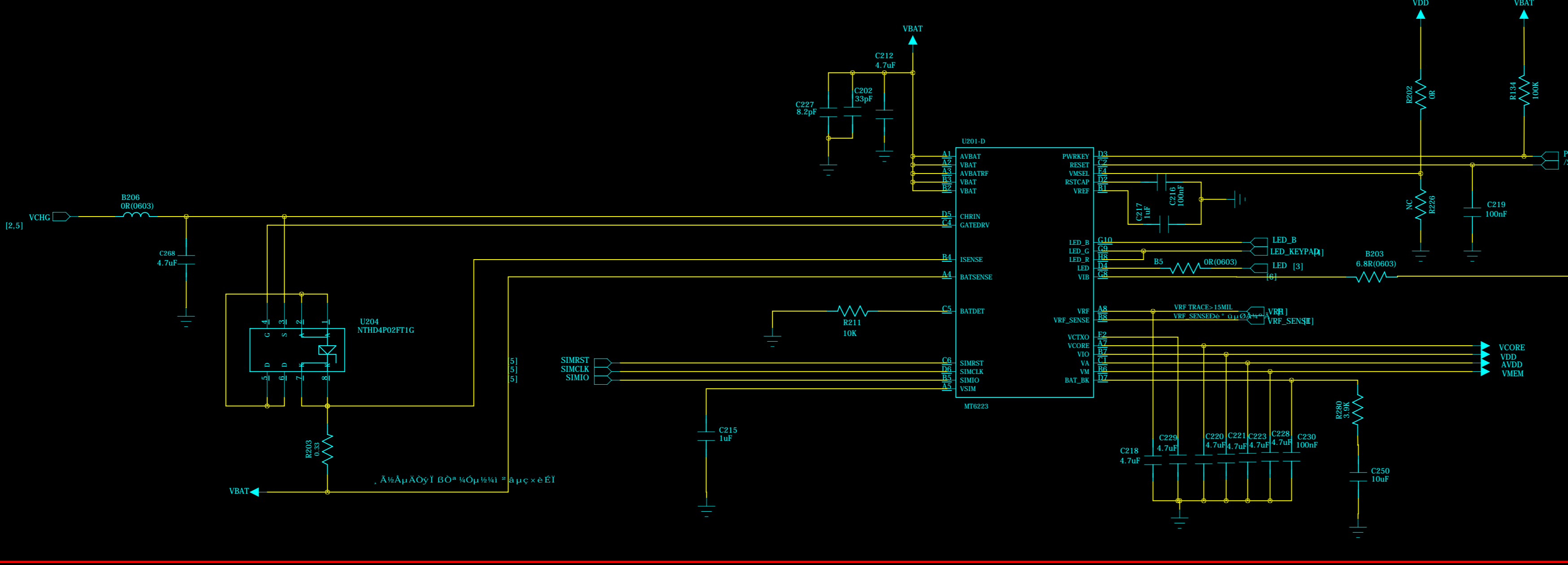
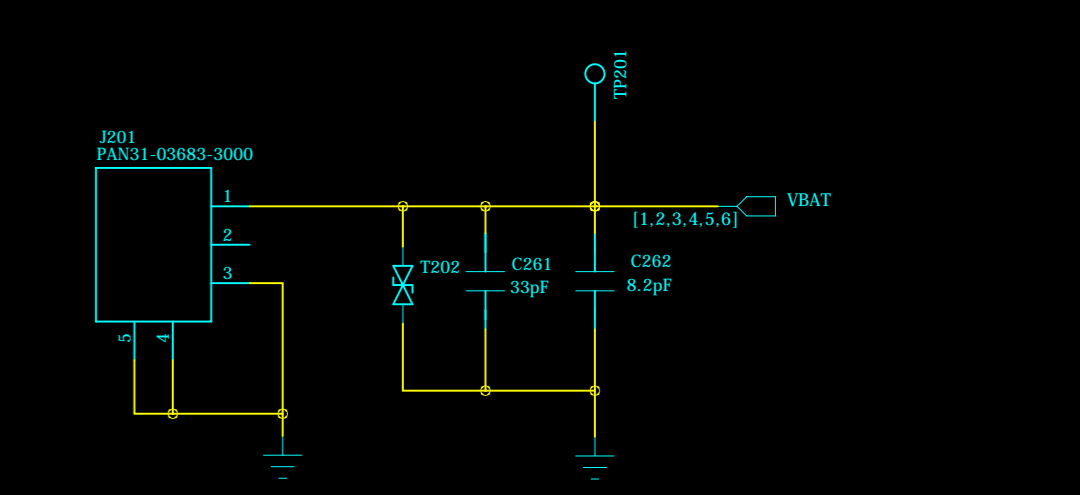
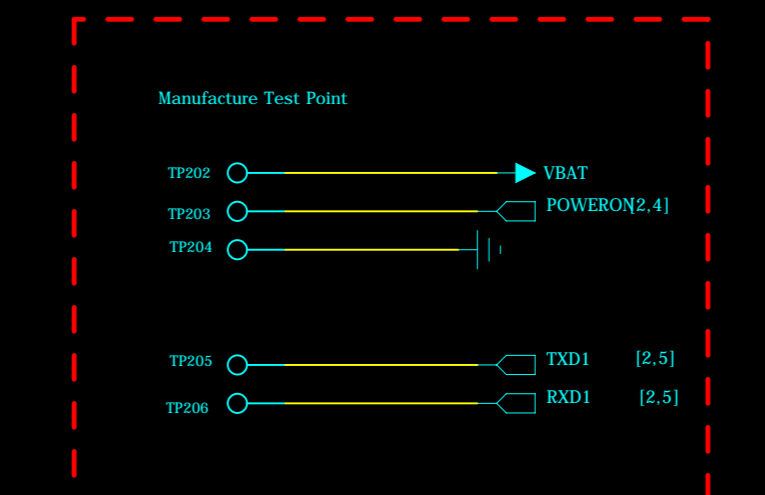
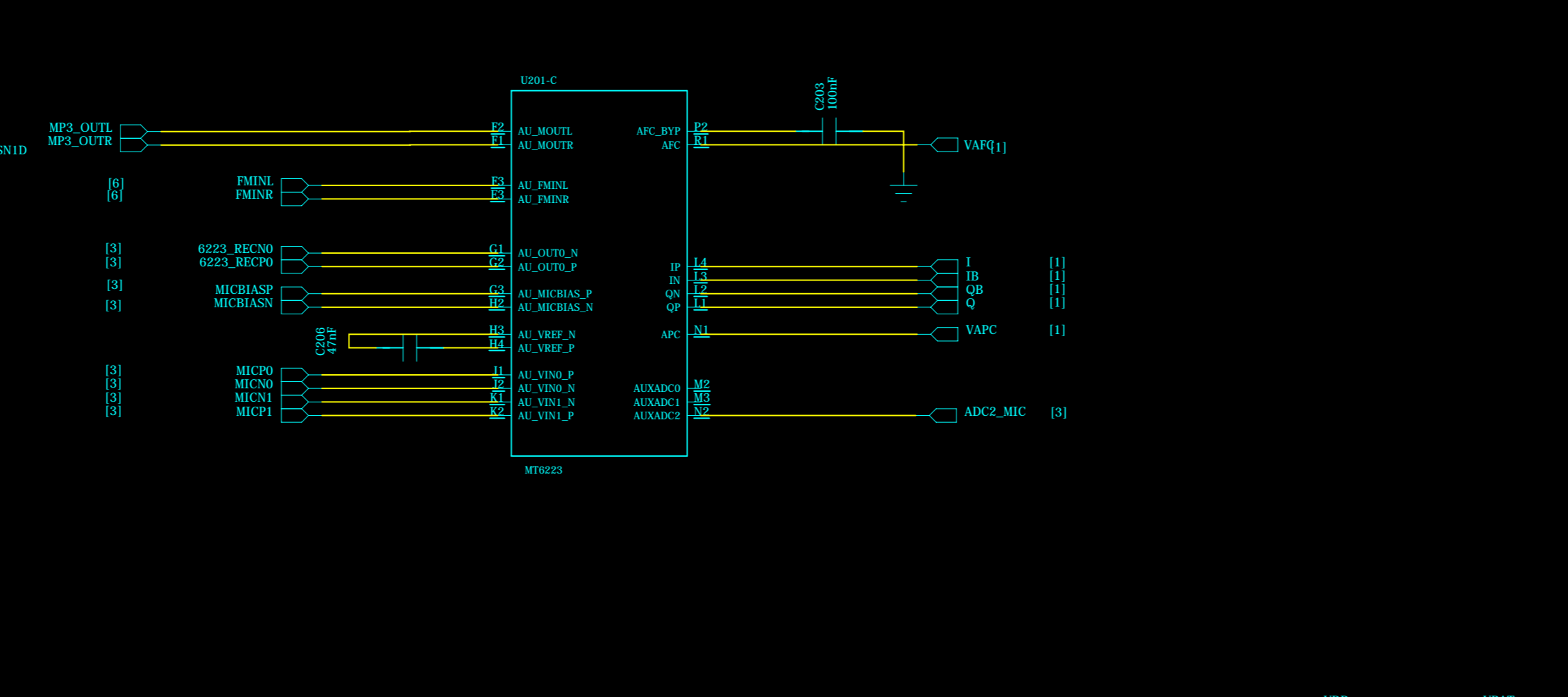
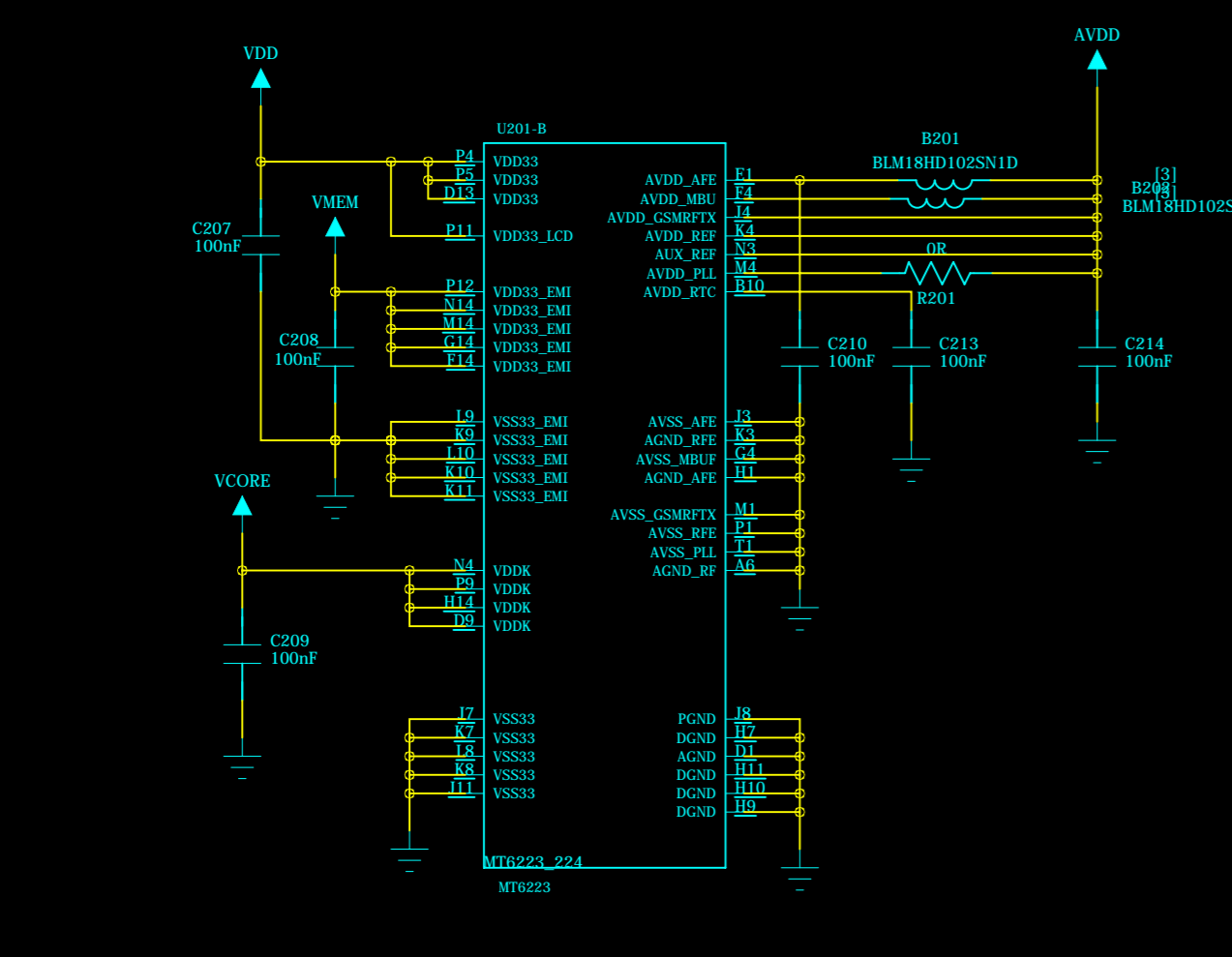
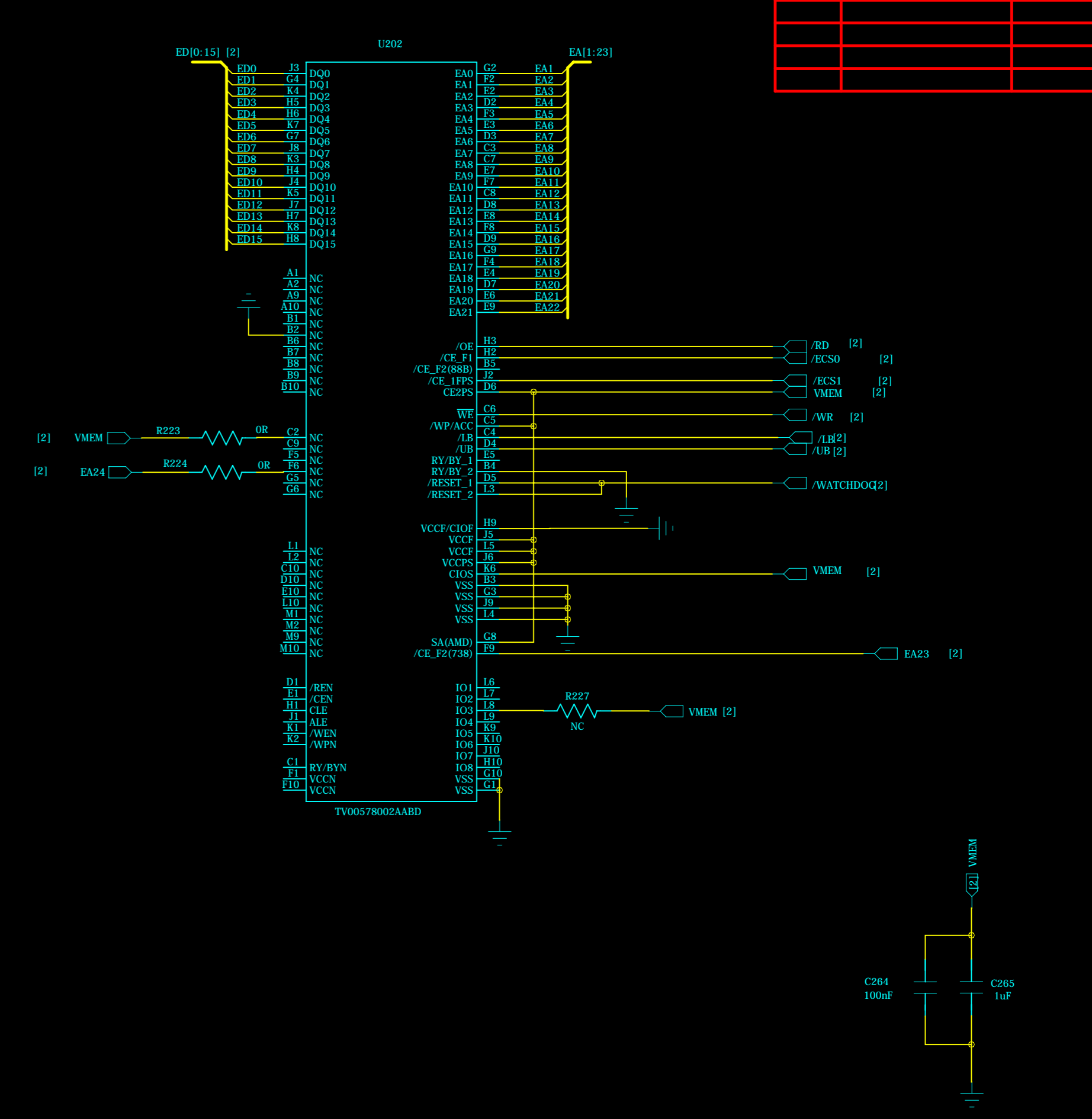
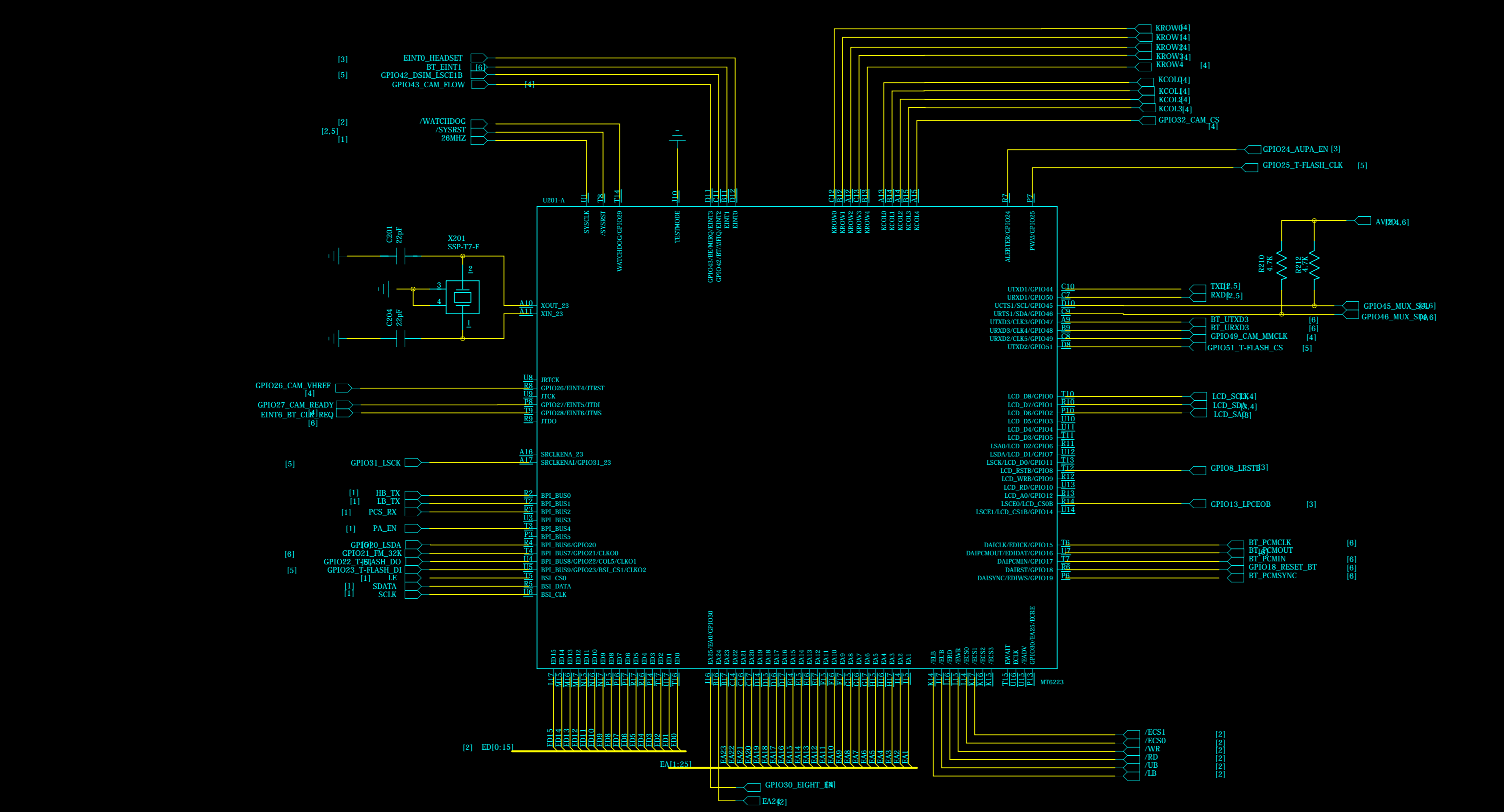


REVISION RECORD			
LTR	ECO NO.	APPROVED:	DATE:



COMPANY:			
TITLE:			
DRAWN:	DATE:	CODE:	SIZE:
CHECKED:	DATE:	DRAWING NO.:	REV.:
QUALITY CONTROL:	DATE:	<Code>	A)
RELEASED:	DATE:	DRAWING NUMBER:	
SCALE: <Scale>		SHEET: 1 OF 6	

REVISION RECORD			
LTR	ECO NO.	APPROVED	DATE



Symbol	Value	Unit
VDD	1.8V	
Vcore	1.8V	200mA
VDD	2.8V	100mA
AVDD	2.8V	125mA
VMM	2.8V/1.8V	75mA
VRTC	1.5V	0.6mA
VSM	3V	20mA
VFE_23_X	2.8V	250mA
VTCNO	2.8V	20mA

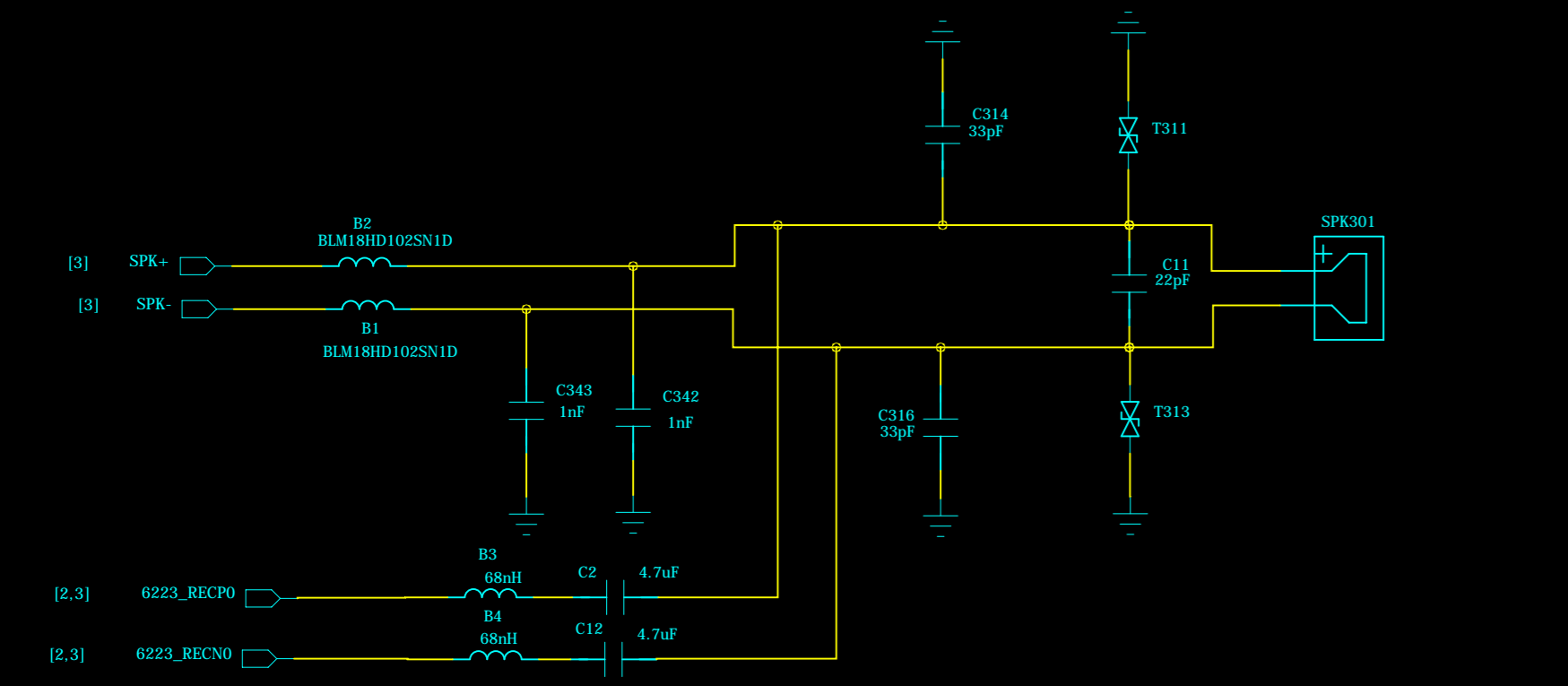
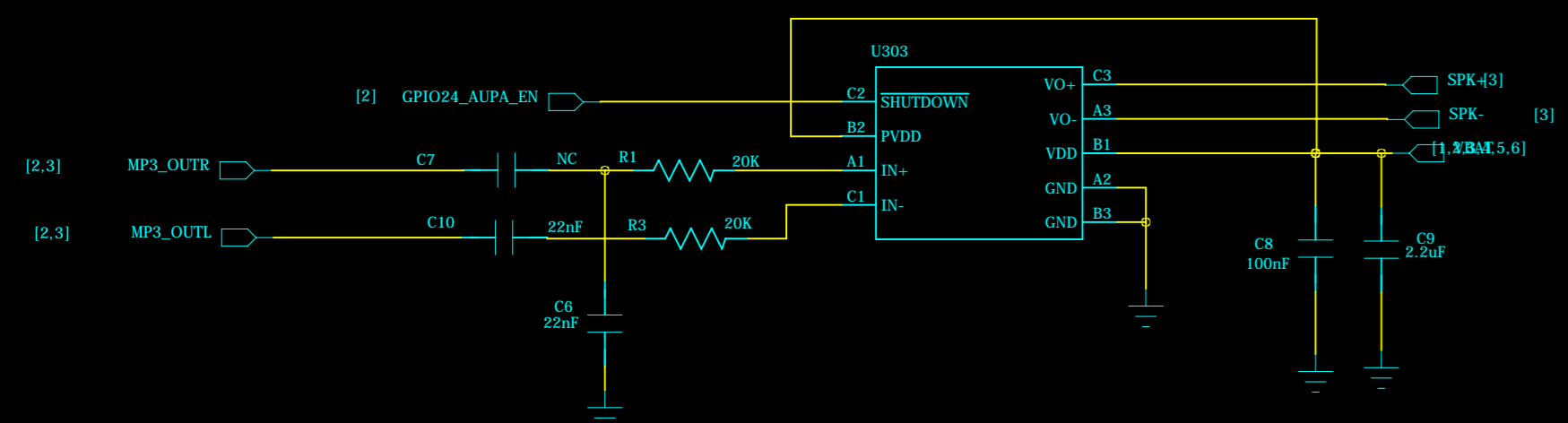
Symbol	Value	Unit
VDD	1.8V	
Vcore	1.8V	200mA
VDD	2.8V	100mA
AVDD	2.8V	125mA
VMM	2.8V/1.8V	75mA
VRTC	1.5V	0.6mA
VSM	3V	20mA
VFE_23_X	2.8V	250mA
VTCNO	2.8V	20mA

Symbol	Value	Unit
VDD	1.8V	
Vcore	1.8V	200mA
VDD	2.8V	100mA
AVDD	2.8V	125mA
VMM	2.8V/1.8V	75mA
VRTC	1.5V	0.6mA
VSM	3V	20mA
VFE_23_X	2.8V	250mA
VTCNO	2.8V	20mA

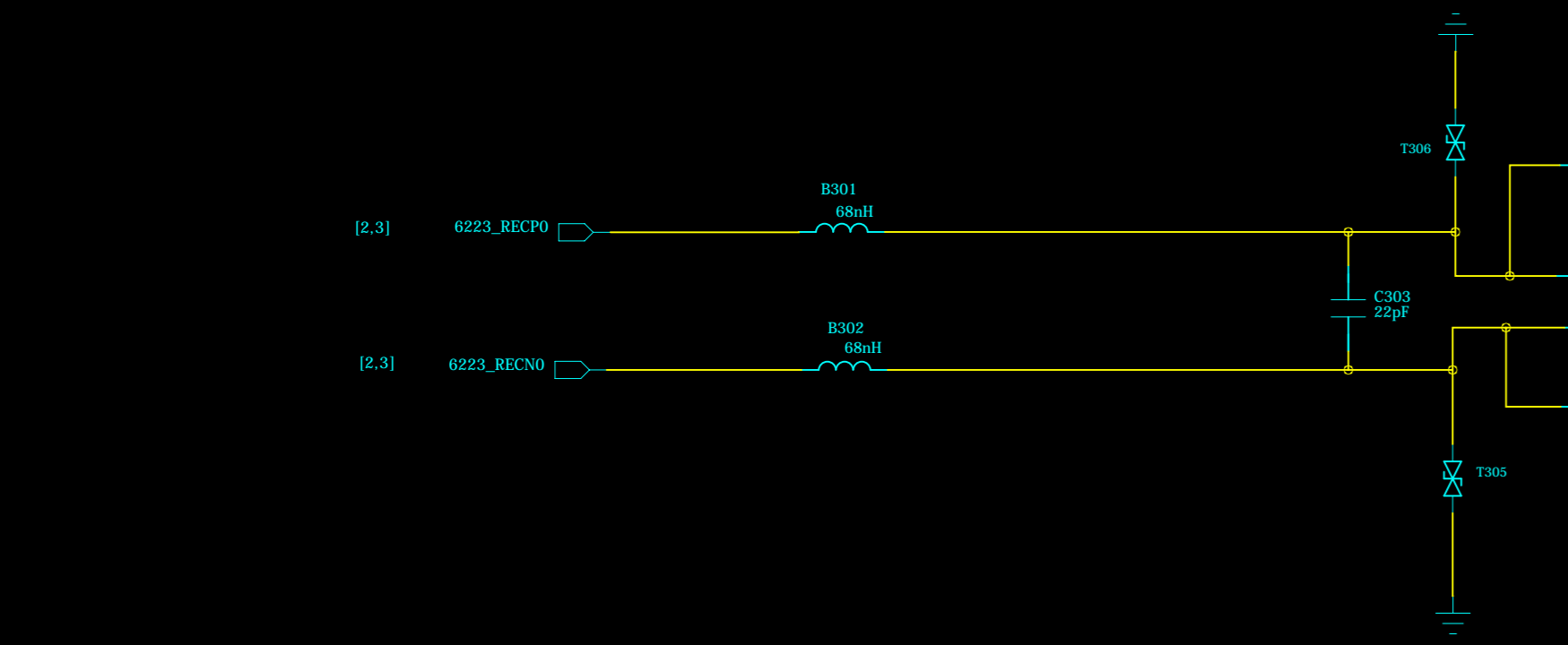
DRAWN:	DATED:	CODE:	SIZE:	DRAWING NO.:	REV.:
<Drawn By>	Nov 11 2009	<Code>	A1	<Drawing Numbers>	PH
CHECKED:	DATED:	SCALE:			
<Checked By>	<QC Date>				
QUALITY CONTROL:	DATED:				
<QC By>	<Release Date>				
RELEASED:	DATED:				
<Release By>	<Release Date>				

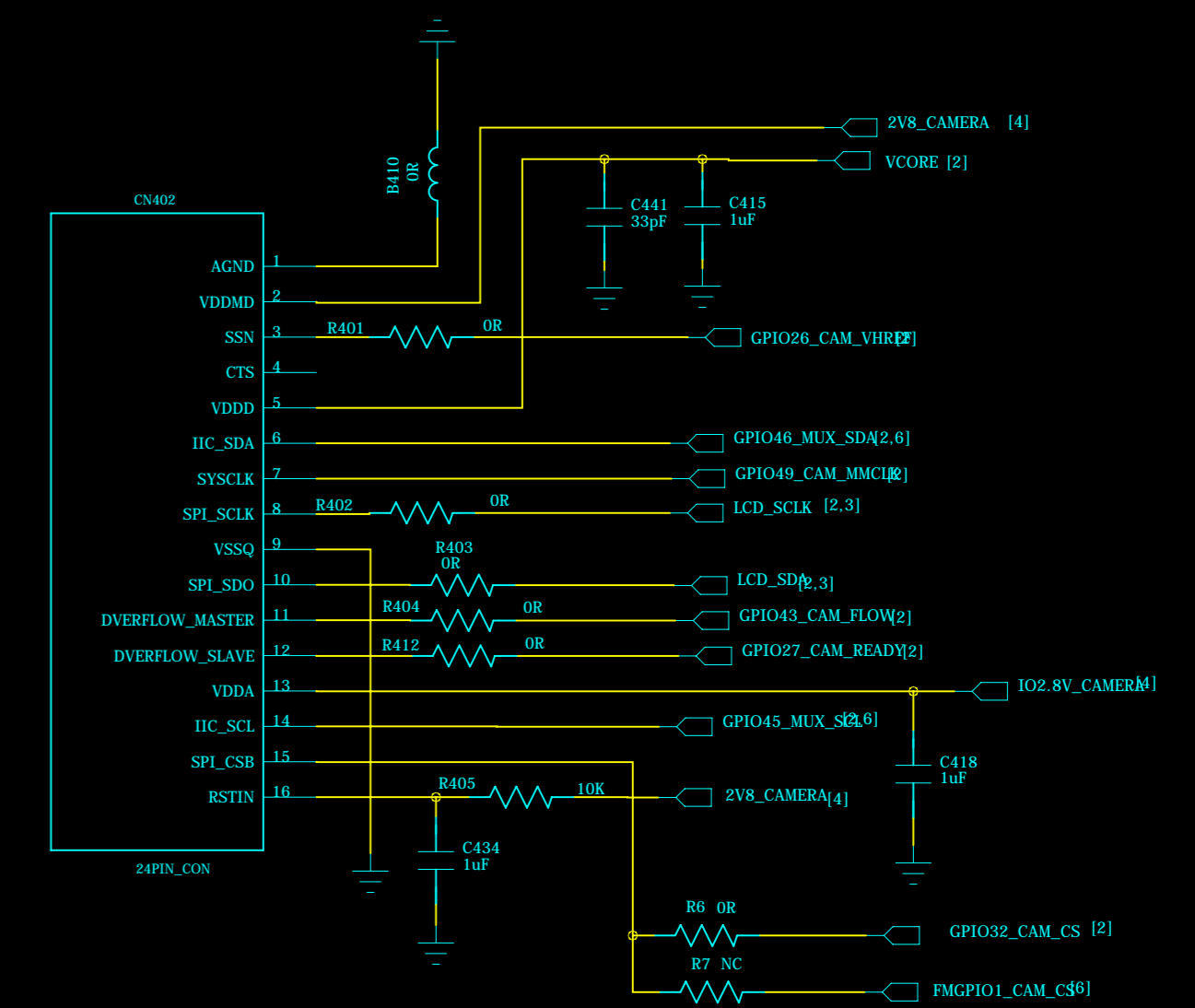
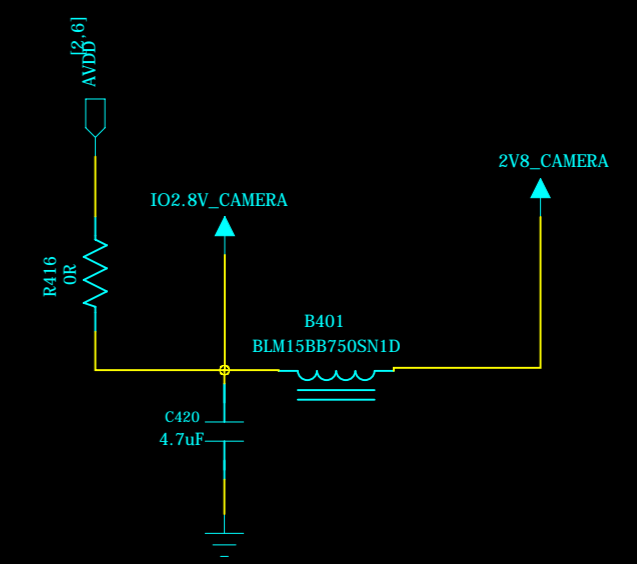
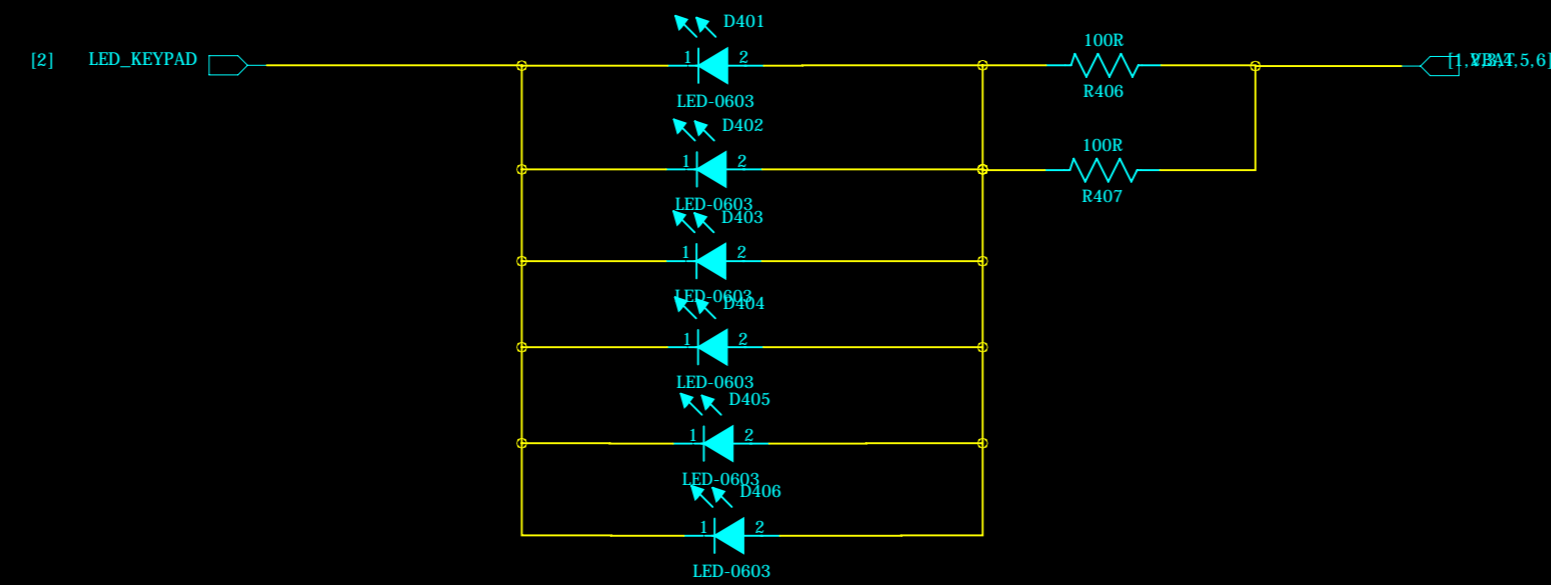
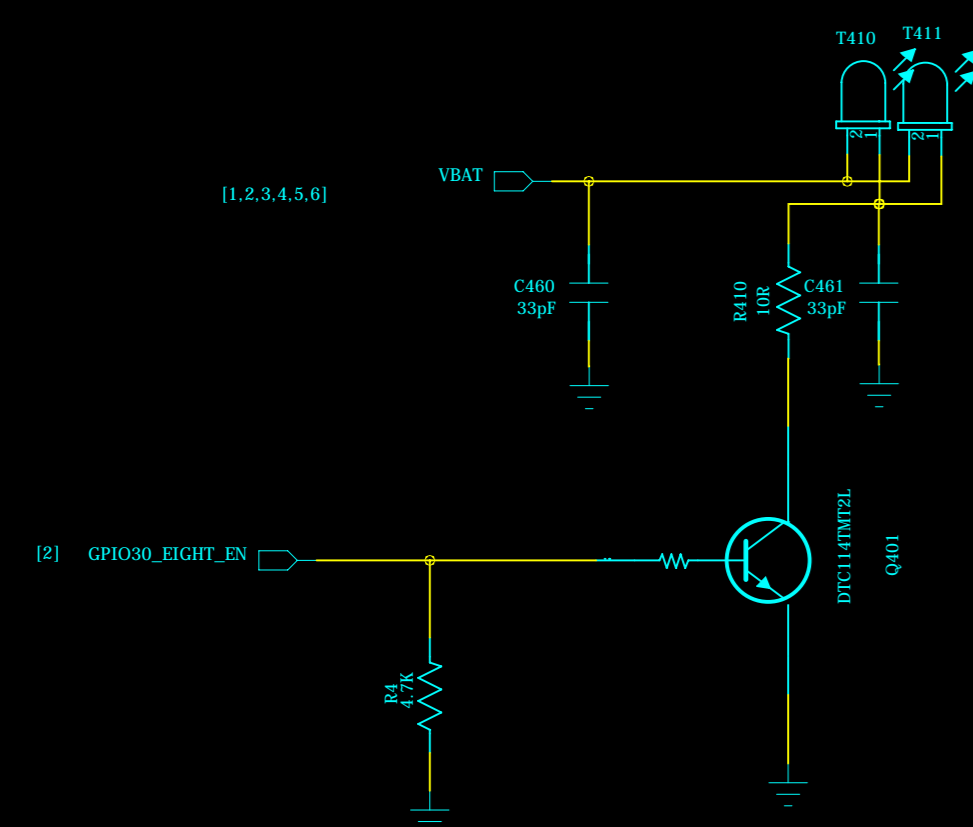
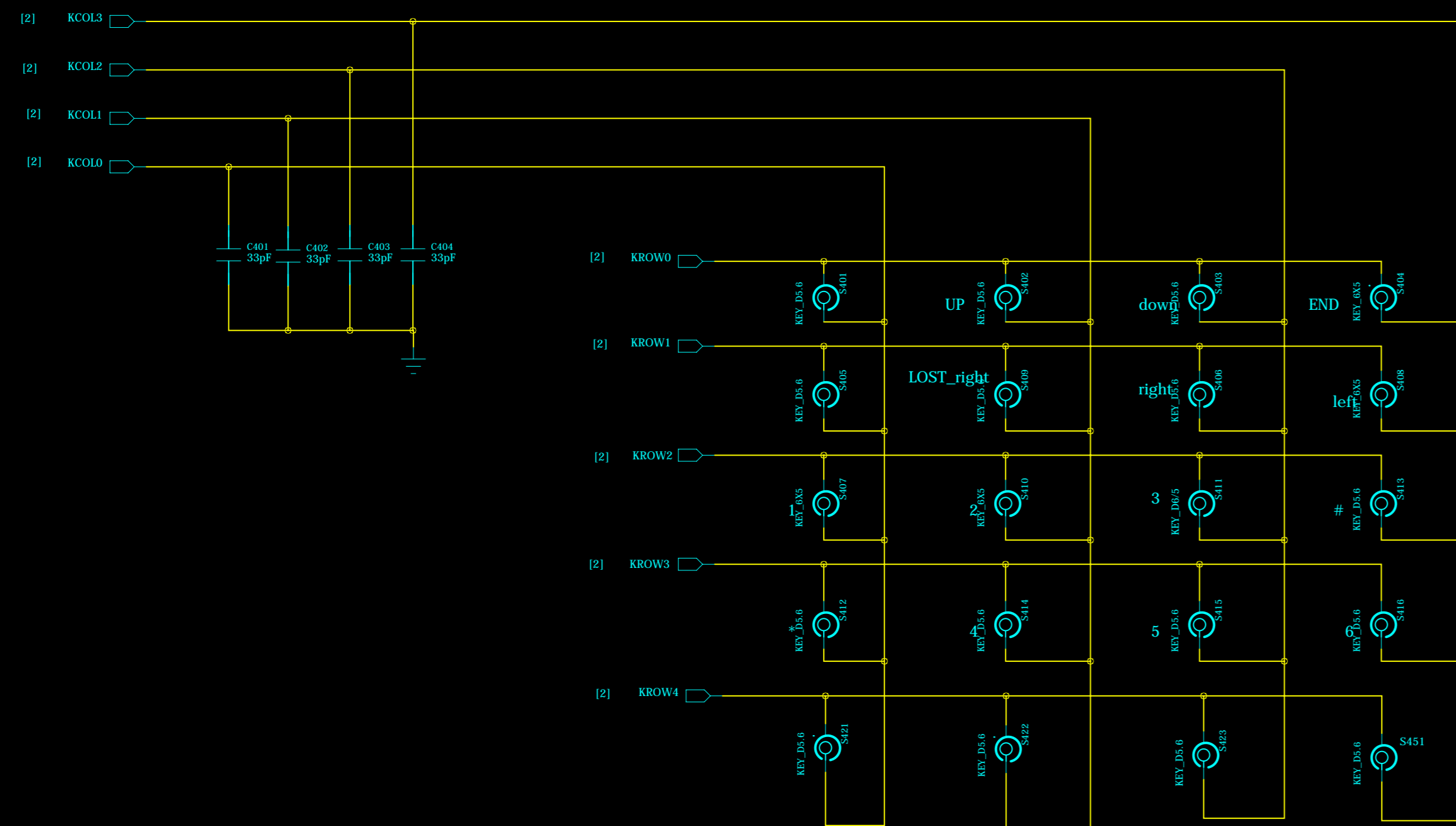
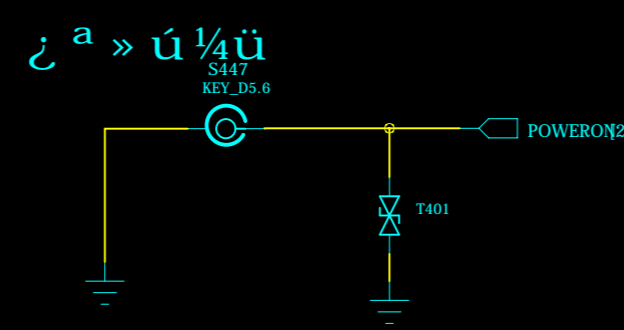
COMPANY:	
TITLE:	

REVISION RECORD			
LTR	ECO NO.	APPROVED:	DATE:

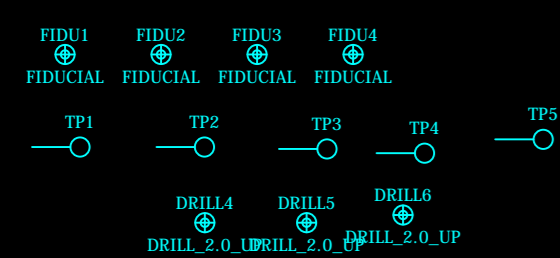
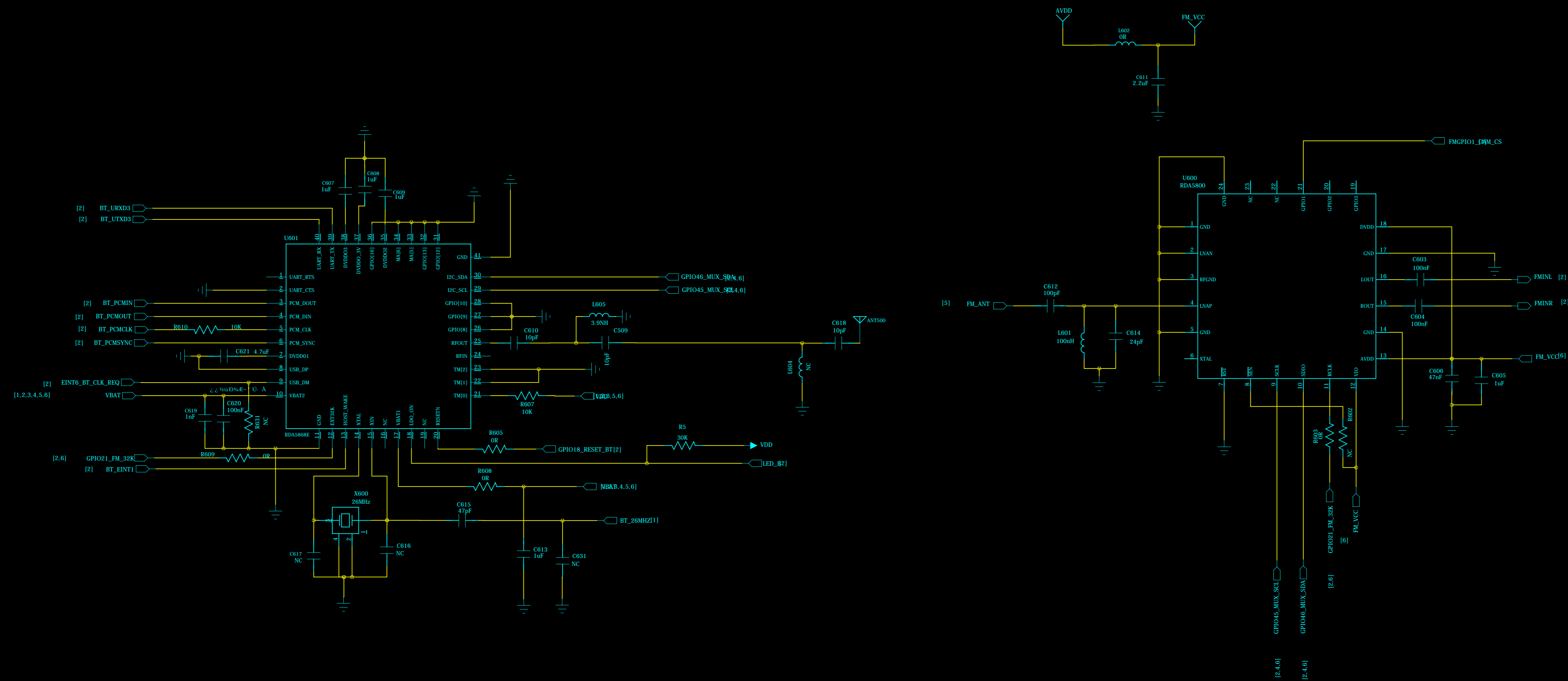


AUDIO_PA





REVISION RECORD			
LTR	ECO NO.	APPROVED:	DATE:



COMPANY:			
TITLE:			
CODE:	SIZE:	DRAWING NO.:	REV:
<Code>	A1	<Drawing Number>	PH
SCALE:	<Scale>	SHEET: 5 OF 6	

DRAWN:	<Drawn By>	DATED:	<Date>
CHECKED:	<Checked By>	DATED:	<Date>
QUALITY CONTROL:	<QC By>	DATED:	<Date>
RELEASED:	<Released By>	DATED:	<Date>