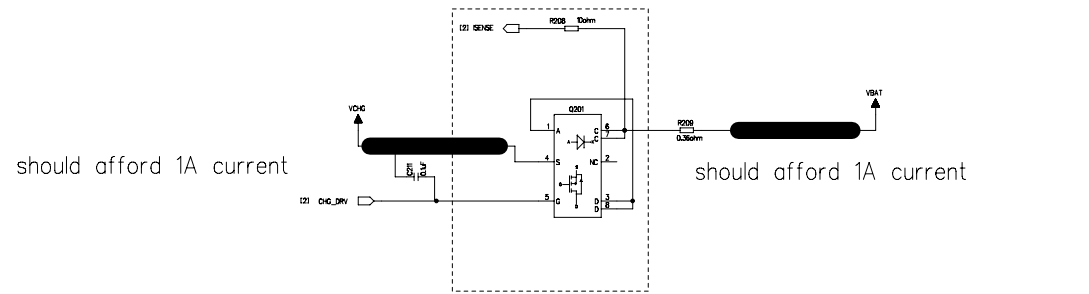


CHARGE

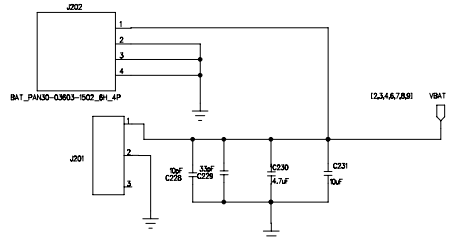
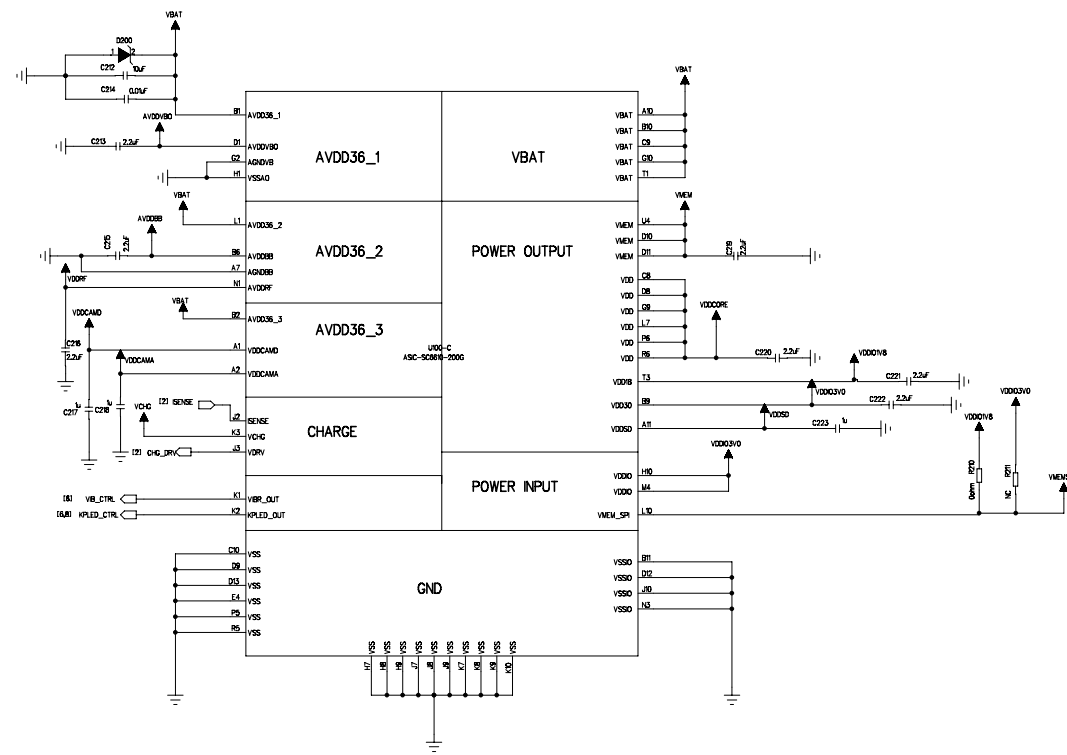


should afford 1A current

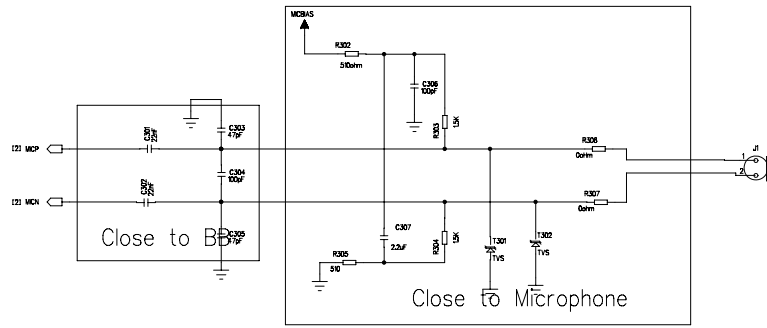
should afford 1A current

All trace connected to the MOSFET should be as wide as possible

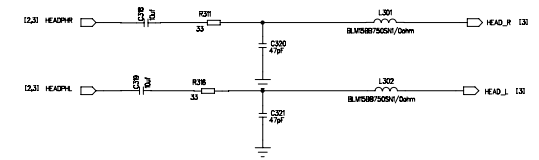
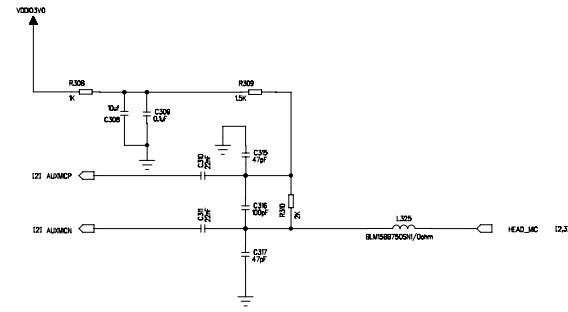
BAT CON.



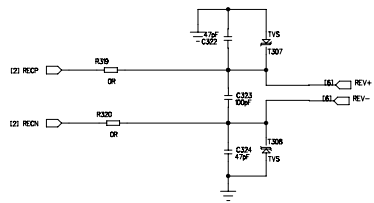
MAIN MIC



HEADPHONE

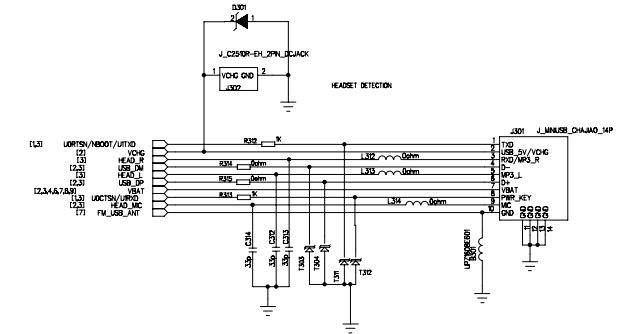


RECEIVER



AUDIO JACK

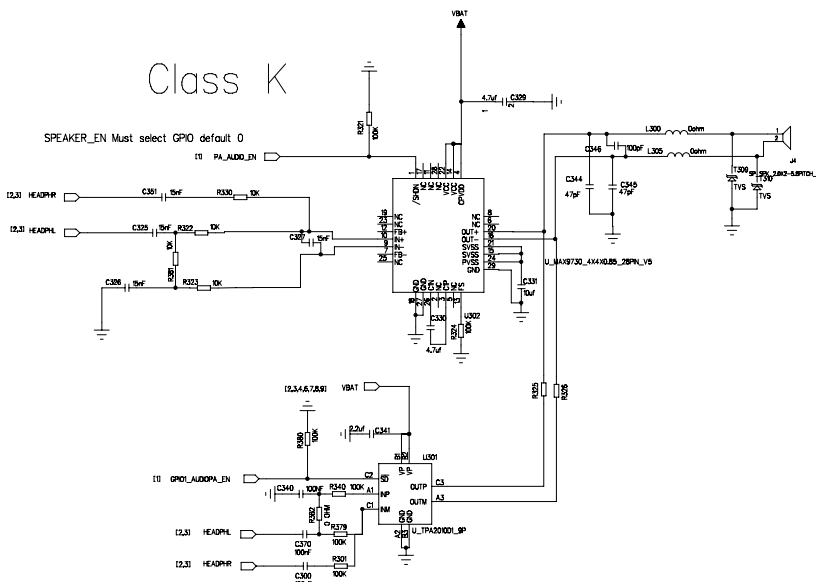
Charge I/O

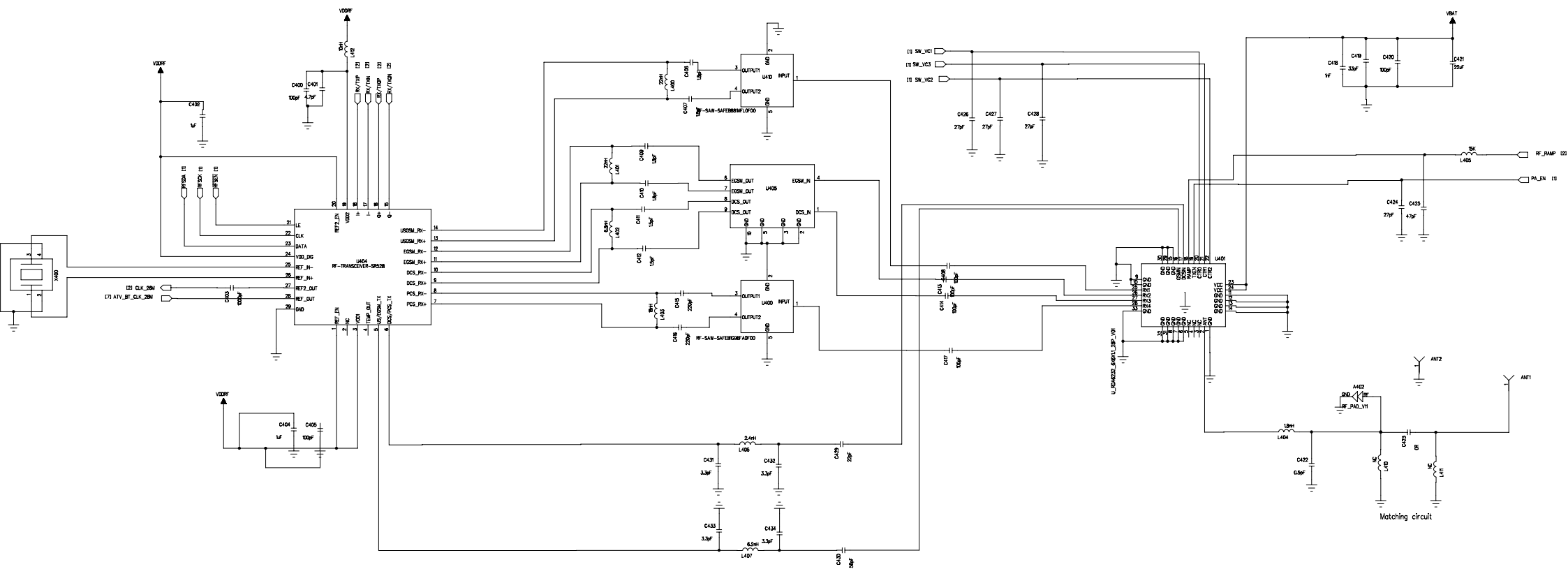


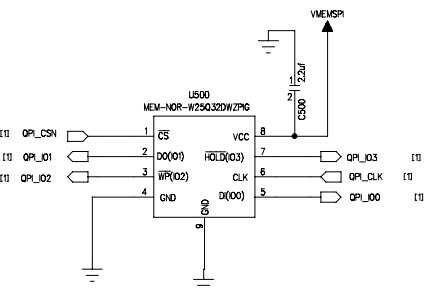
10PIN MINI USB

- TP2 ○ VBAT 12.3,4,6,7,8,9
- TP4 ○ USB_DM 12,31
- TP3 ○ USB_DP 12,31
- TP40K ○ PWRKEY 16,81
- TP40K ○ UDC15N/UBD07/UT10 11,31
- TP40C ○ UDC15N/URD0 11,31

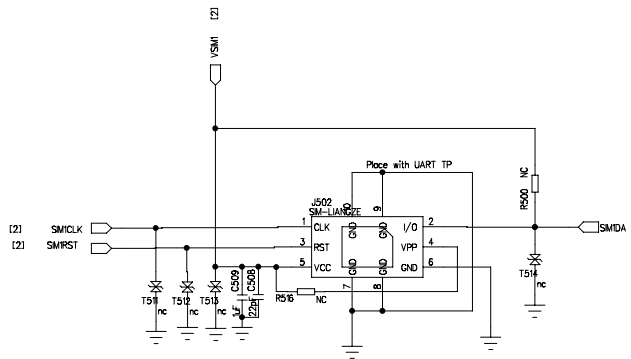
Class K



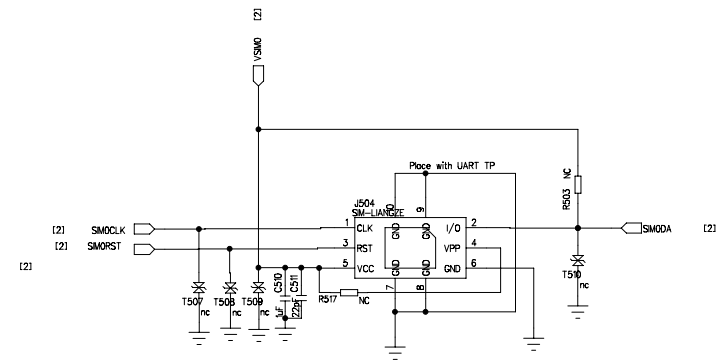




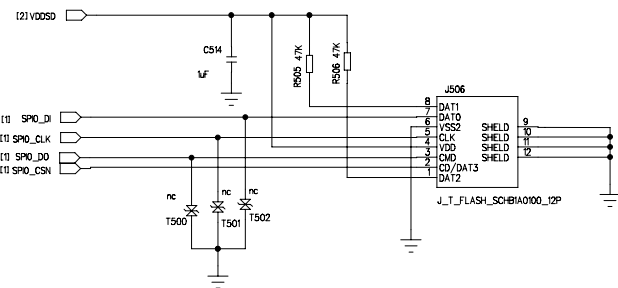
Serial Flash WSON-8



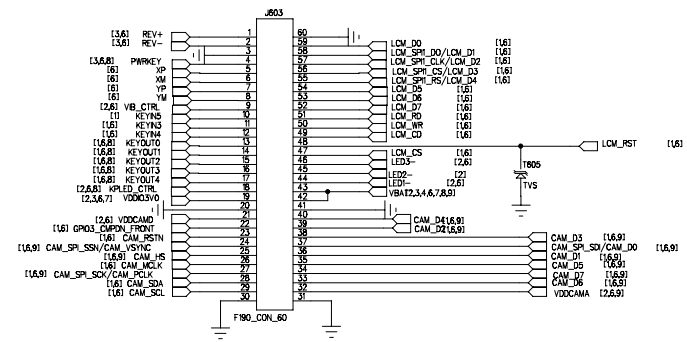
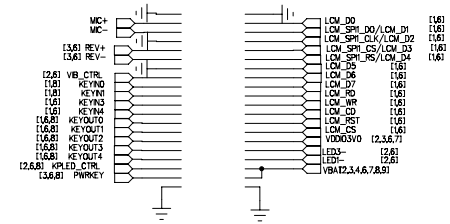
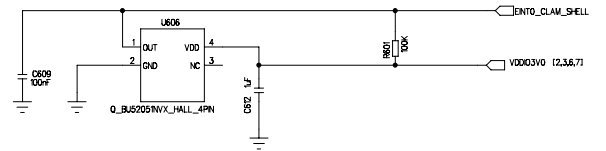
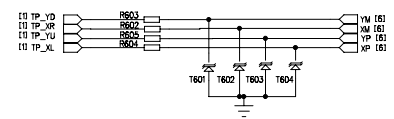
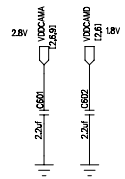
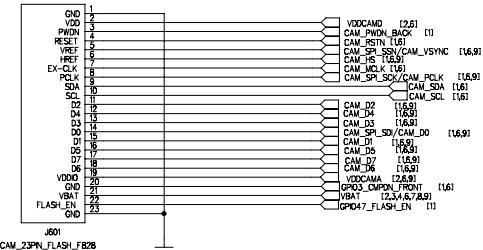
SIM1



SIM2



T-FLASH



(1)

(1)

(1.6V)

(1.6V)

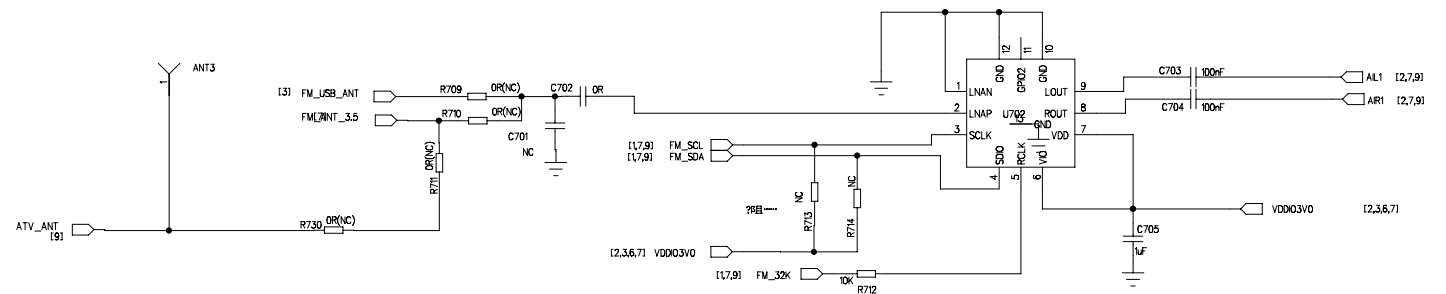
(1.6V)

(1.6V)

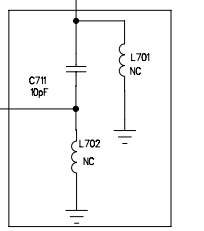
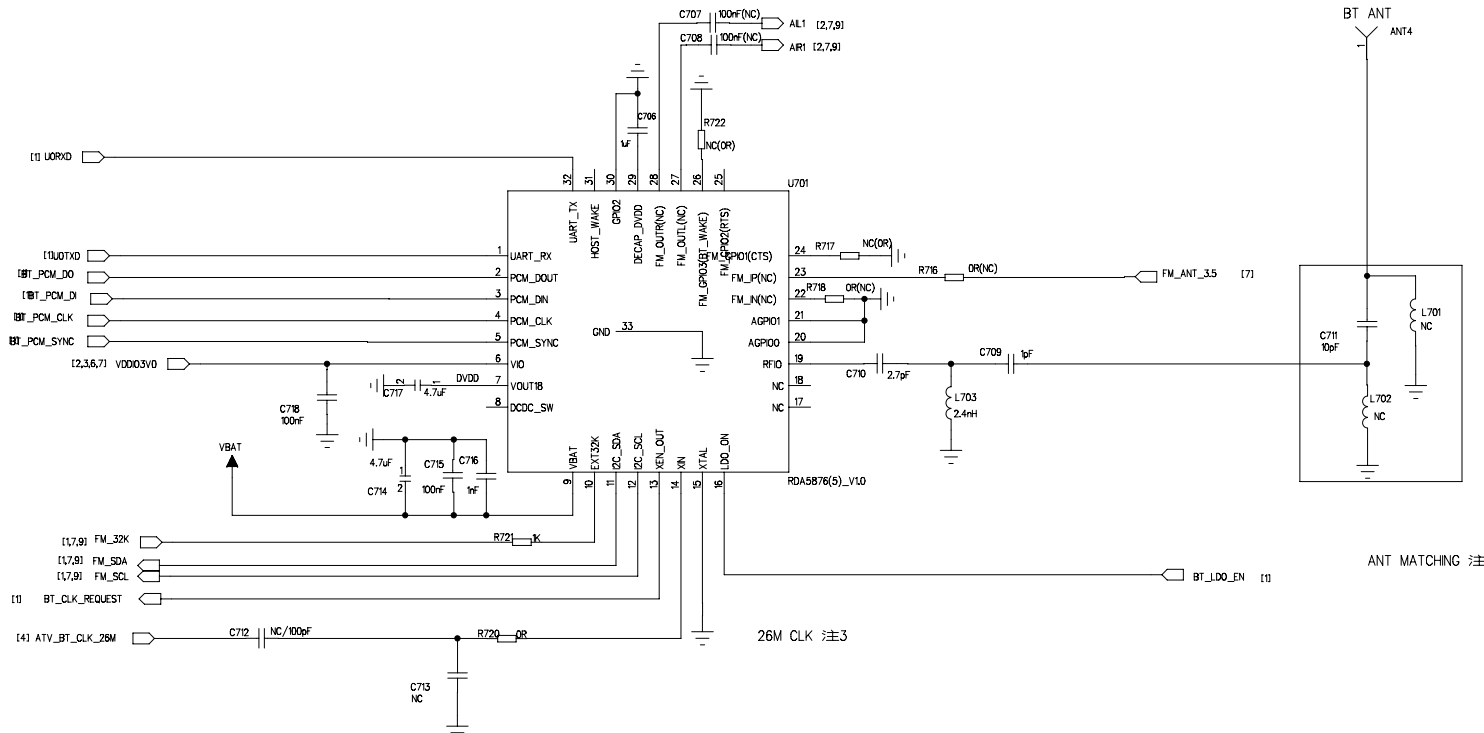
(1.6V)

(1.6V)

(1.6V)

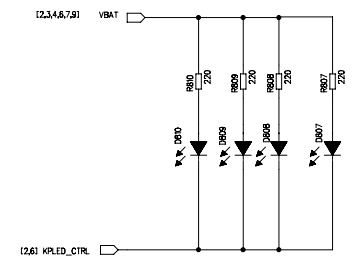
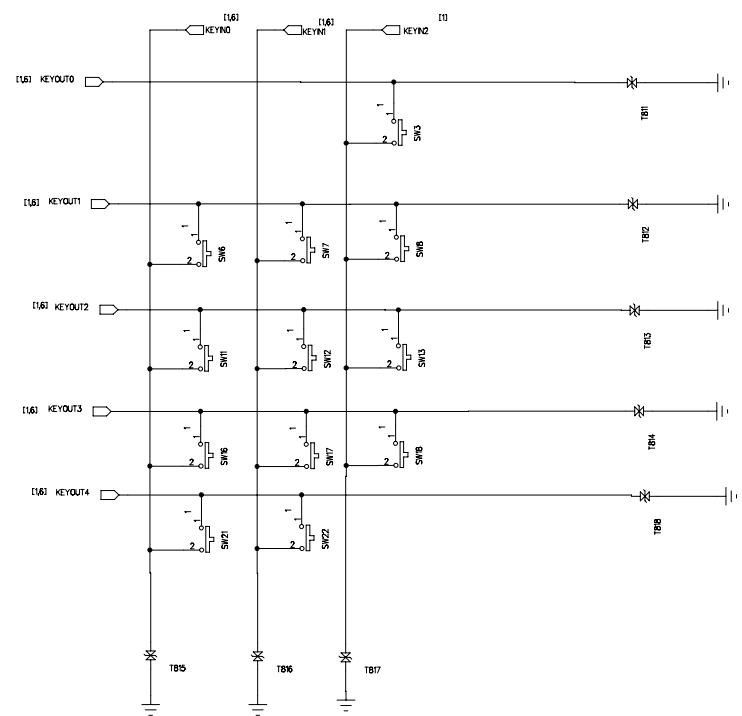
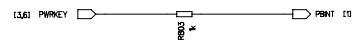
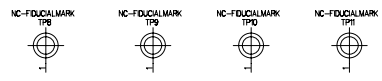


RDA5876与RDA5875兼容??,括号内?RDA5875器件?

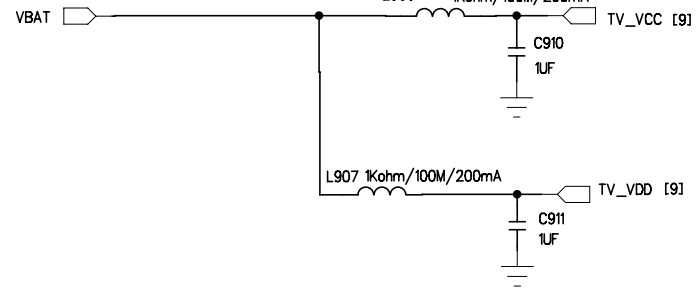


26M CLK 注3

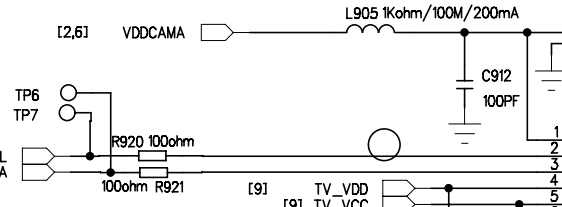
HOLE and MARK POINT



[2,3,4,6,7,8]

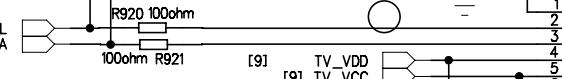


[2,6] VDDCAMA

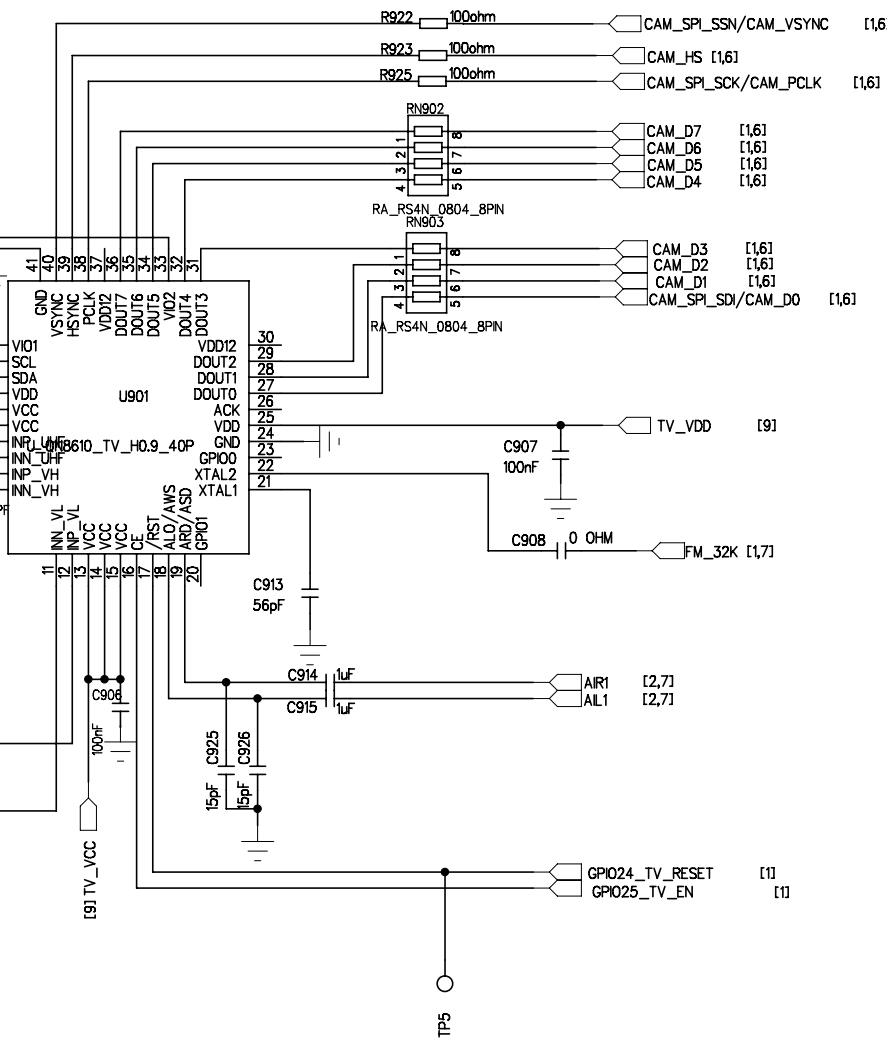
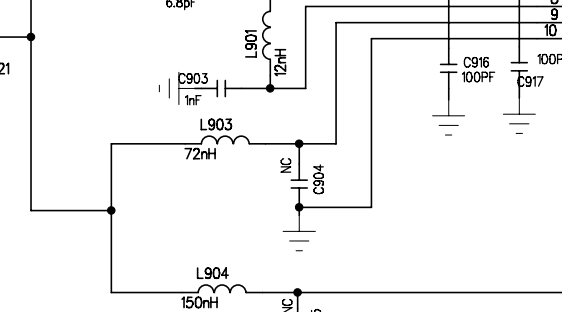
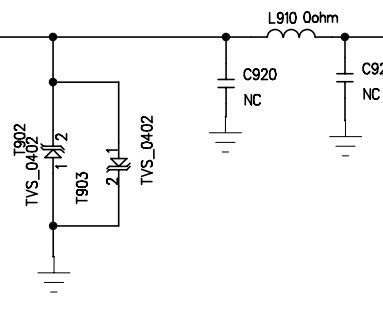


TP6
TP7

[1,7] FM_SCL
[1,7] FM_SDA



[7] ATV_ANT



R922 100ohm CAM_SPL_SSN/CAM_VSYNC [1,6]
 R923 100ohm CAM_HS [1,6]
 R925 100ohm CAM_SPL_SCK/CAM_PCLK [1,6]

CAM_D7 [1,6]
 CAM_D6 [1,6]
 CAM_D5 [1,6]
 CAM_D4 [1,6]

CAM_D3 [1,6]
 CAM_D2 [1,6]
 CAM_D1 [1,6]
 CAM_SPL_SDI/CAM_DO [1,6]

[9] TV_VDD

[1,7] FM_32K

[2,7] AIR1
[2,7] AIL1

[1] GPIO24_TV_RESET
[1] GPIO25_TV_EN

TP5