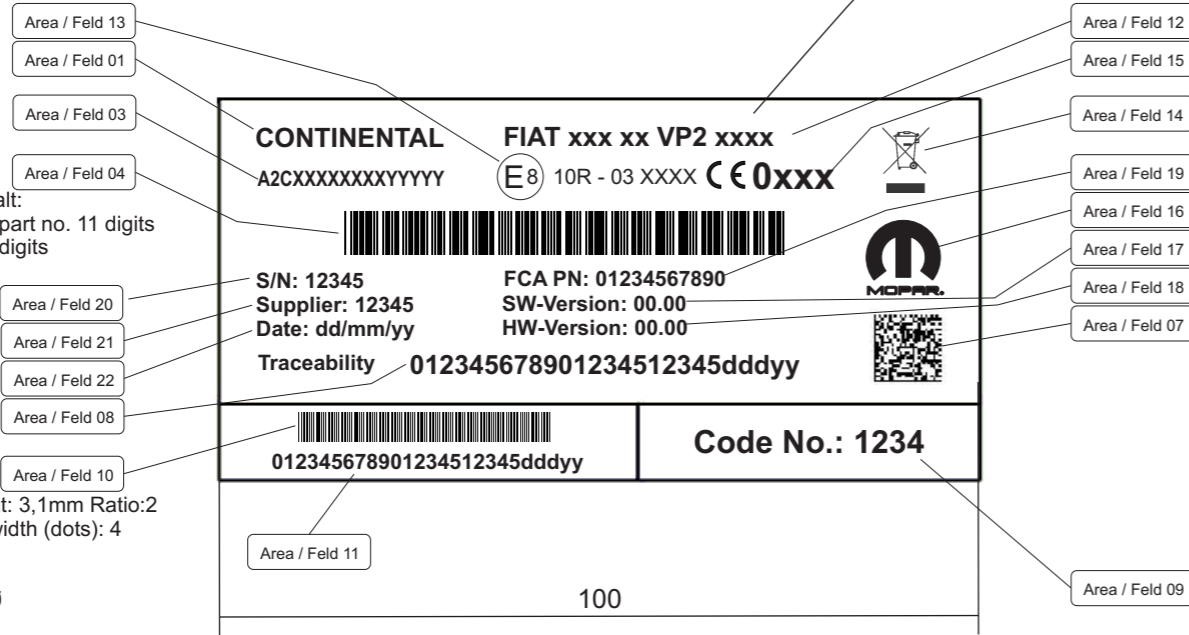


Norms / Mitgeltende Normen:
 9.01106/02
 9.01105
 07170
 07404
 07412
 ISO IEC 16022
 DIN EN 800
 ISO 10486

**PRODUCT LABEL on coverside of set/
 PRODUKTAUFKLEBER auf der Oberseite vom Gerät**

Code39
 Content / Inhalt:
 - Continental part no. 11 digits
 - Serial no. 5 digits

Code39 Height: 3,1mm Ratio:2
 / Narrow bar width (dots): 4
 No clear text
 No check digit
 18 digits: 14x0
 4x PIN

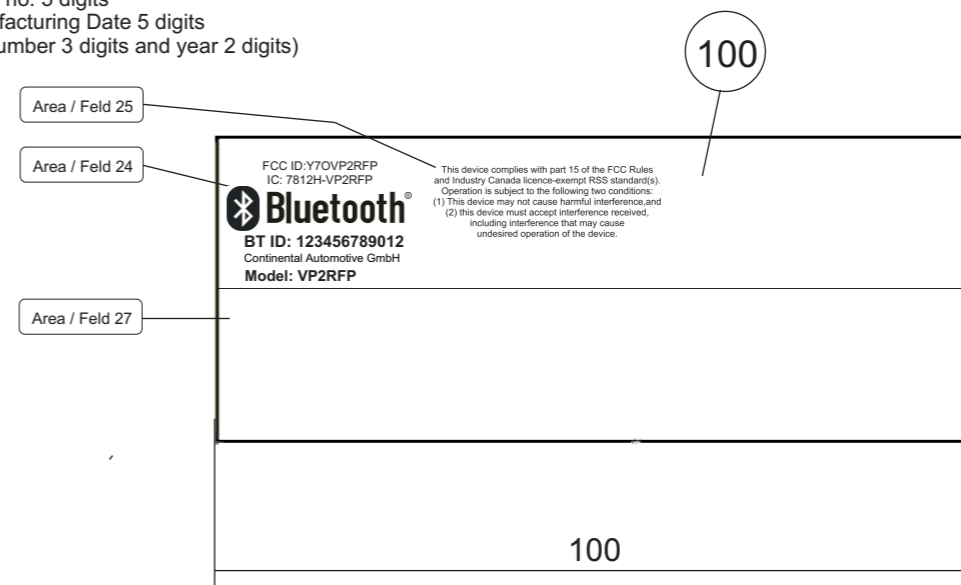
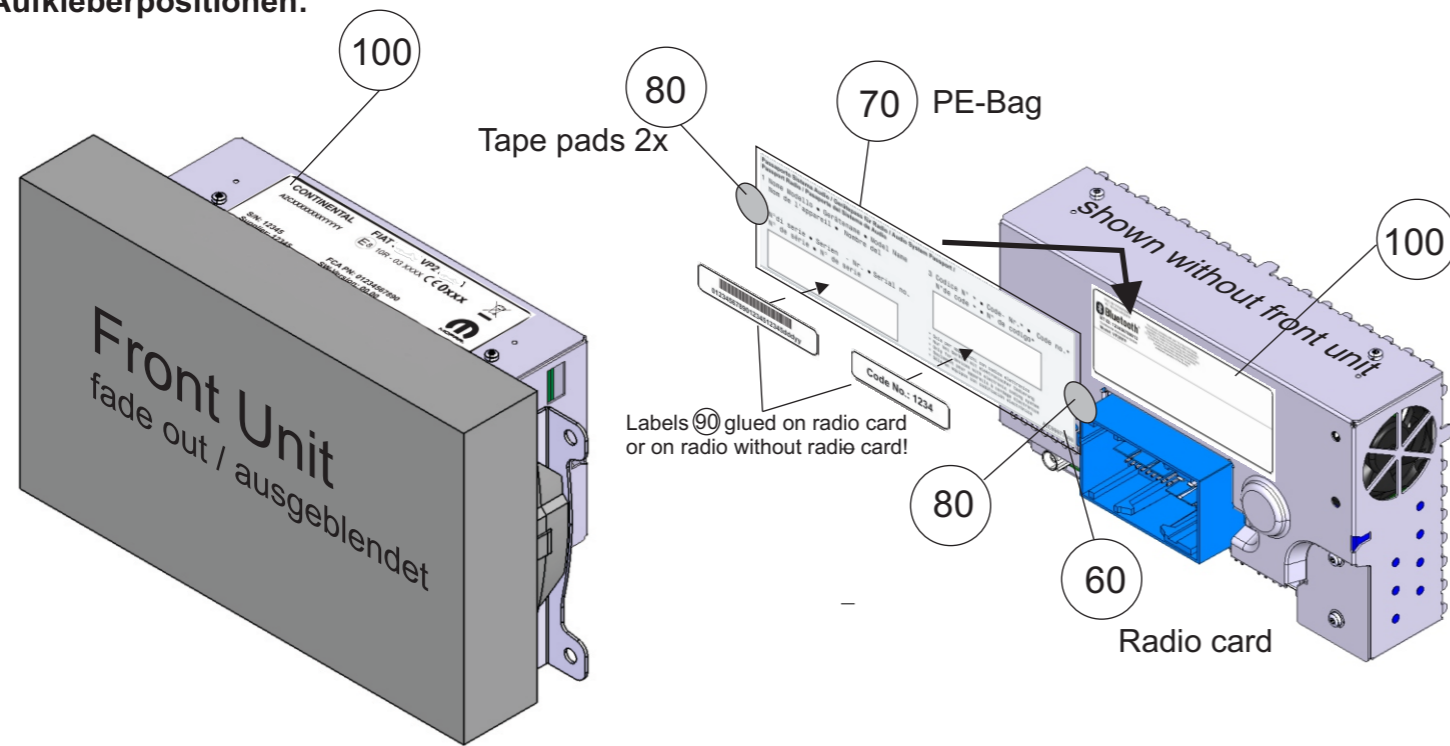


Traceability:

Datamatrixcode
 ECC 200*:
 Modulbreite: 8
 Content / Inhalt:
 - Drawing no. 11 digits
 - Supplier Code 5 digits
 - Serial no. 5 digits
 - Manufacturing Date 5 digits
 (Day number 3 digits and year 2 digits)

Area / Feld	Description / Beschreibung	Content / Inhalt	Example / Bsp.
01	Supplier Logo	ATE N 101 55.50-C-3_K9005	-
03	Supplier no. + Serial no. 5-digits	A2C no. Continental + continial numbering	A2C1234567800001
04	Supplier Barcode	Code39 to Area/Feld3	-
07	Traceability Code 2D	Fiat 9.01106/02	012345678901234512345dddyy
08	Traceability no	Fiat 9.01106/02	012345678901234512345dddyy
09	Security Code ratio	Production Database	1234
10	Security Code PIN	Code39 / 18 digits	00000000000001234
11	Traceability no.	Fiat 9.01106/02	012345678901234512345dddyy
12	Customer type no.	Assignment Sales I IC	FIAT 312 7" VP2 EMEA
13	E1 Approbation	Grafic	-
14	Weeee Directive	Grafic	-
15	CE Approbation	Grafic	-
16	Customer combined brand	Fiat 07404	-
17	SW Version	Fiat 09010/02	00.00.00.00
18	HW Version	Fiat 09010/02	xxxxxxxx
19	Customer part no.	Assignment Sales I IC	07355445740
20	Serial no. 5-digits	Production Database	12345
21	Supplier code	Fiat 07610	12345
22	Date of Production	Production Database	dd.mm.yy
24	Bluetooth Logo / ID-No.	MAC Address Modul	123456789012
25	BT-Approbation Text	Graphic	-
27	BT Approbations		
		* = data from ATF file	

**Label positions /
 Aufkleberpositionen:**



Transmittal, reproduction, dissemination and/or editing of this document as well as utilization of its contents and communication thereof to others without express authorization are prohibited. All rights reserved. Registration of a utility model or design patent are reserved.

Printing requirements acc. to
 Bedruckungsanforderung nach DIN30643

Fonts are adapted to illustration,
 acc. to DIN 1451 part 4 /
 Schriften sind den Darstellungen anzupassen,
 nach DIN 1451 Teil4.
 Continental- Font: acc / nach
 ATE N 101 55.50-C-3-K9005

For internal use only		Date	Department
Designed by	Ute.Riedl@continental-corporation.com	2016-03-14	I IC RD G HW D1.1
Released by	Andreas05.Wagner@continental-corporation.com	2016-03-14	I IC RD G HW PM
Designation		Pages	
Fiat VP2 Flat Panel		1 of 1	
Documentkey		40845680 DRW 000 AC	
Wetzlar (WET)		Copyright (C) Continental AG, 2007	
		A3 : 2007-11	