



Implementor's Manual

Information for "White" Radio Upgrade

1. Introduction/Description

This document gives information regarding upgrade und labelling of ARRI Wireless Remote System units (WRS) with radio transceiver module FCC ID: Y7N-EMIP100 / IC: 9482A-EMIP100.

2. Devices Affected

ARRICAM LDB ST/LT
ARRI 416 Plus
ARRI 435 Extreme/URM-3
ARRI Alexa Plus
WCU-3
WMU-3
UMC-3
WZE-3

WMU-1/2 is not supported

3. Material and Parts list/Tools

This will be stated in appropriate upgrade kit descriptions.

4. Service Information Status:

- o mandatory (material and labour free of charge)
- o recommended (material free of charge, labour to be paid by customer)
- x optional (material and labour to be paid by customer)

5. Detailed Description

PRECAUTION: This Implementor's Manual requires special skills and knowledge of the WRS Units. Please read this instruction carefully and start working only if you feel safe about completing it. If not, please contact ARRI Austria Service:

Phone: +43/1/8920107-65

Fax: +43/1/8920107-12

ATTENTION
Static sensitive components
inside Radio Units

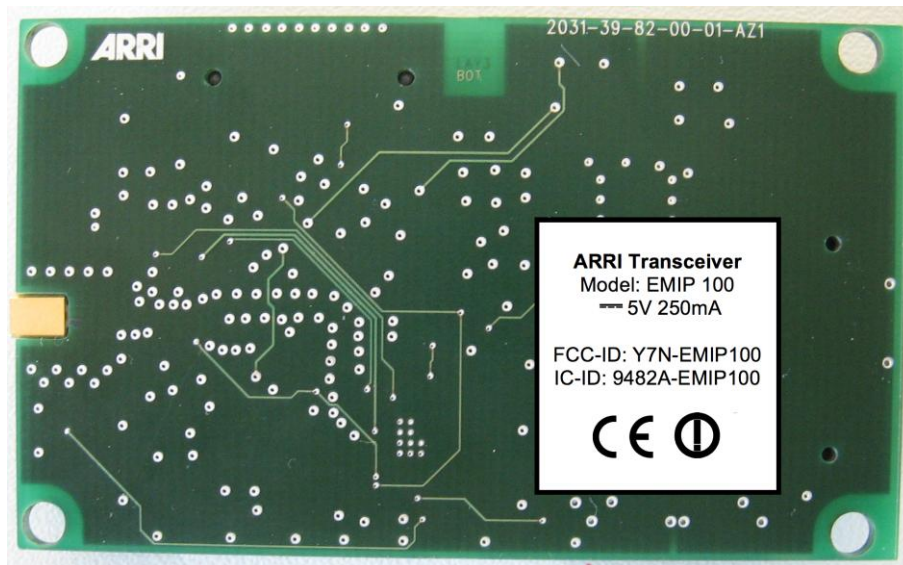


ARRI	Document Number	Ident Number	Name	Date	Page
WRS			A-A	21.02.11	1 of 6

6. Radio EMIP 1.00 (EMIP100)

16 dedicated channels:

- 1 2.405 GHz
- :
- 16 2.480 GHz



Radio with FCC/IC Label

ARRI	Document Number	Ident Number	Name	Date	Page
WRS			A-A	21.02.11	2 of 6

Implementor's Manual

7. Exterior Label Position on WCU-3 Unit



Exterior Label Position on WCU-3

8. Exterior Label Position on UMC-3(A) Unit



Exterior Label Position on UMC-3, UMC-3A

ARRI	Document Number	Ident Number	Name	Date	Page
WRS			A-A	21.02.11	3 of 6

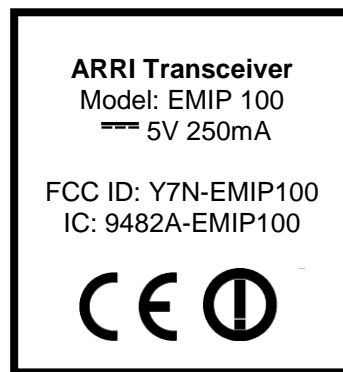
9. Exterior Label Position on ALEXA Plus Unit



ARRI	Document Number	Ident Number	Name	Date	Page
WRS			A-A	21.02.11	4 of 6

10. Radio Label Dimensions and Specifications

Material: Polyester, self adhesive, 19mm x 19mm



11. Exterior Label Dimensions and Specifications

Material: Foil, FTC-ultra, self adhesive, 30mm x 10mm



ARRI	Document Number	Ident Number	Name	Date	Page
WRS			A-A	21.02.11	5 of 6



Implementor's Manual

12. FCC and IC statements

The following phrases need to be included in the final users manual of the end product:

Canadian Compliance Statement

Complies with the Canadian ICES-003 Class A specifications.

Cet appareil numérique de la Classe A est conforme à la norme NMB-003 du Canada.

This device complies with RSS 210 of Industry Canada.

This Class A device meets all the requirements of the Canadian interference-causing equipment regulations.

Cet appareil numérique de la Classe A respecte toutes les exigences du Règlement sur le matériel brouilleur du Canada.

FCC Compliance Statement

Section 15.19

This device complies with part 15 of the FCC Rules. Operation is subject to the following two conditions: (1) This device may not cause harmful interference, and (2) this device must accept any interference received, including interference that may cause undesired operation.

Section 15.21 Information to user

Changes or modifications not expressly approved by the party responsible for compliance could void the user's authority to operate the equipment

Note: This device complies with part 15 of the FCC Rules. Operation is subject to the condition that this device does not cause harmful interference.

Section 15.105(a)

Note: This equipment has been tested and found to comply with the limits for a Class A digital device, pursuant to part 15 of the FCC Rules. These limits are designed to provide reasonable protection against harmful interference when the equipment is operated in a commercial environment. This equipment generates, uses, and can radiate radio frequency energy and, if not installed and used in accordance with the instruction manual, may cause harmful interference to radio communications. Operation of this equipment in a residential area is likely to cause harmful interference in which case the user will be required to correct the interference at his own expense.

For any technical questions please call

ARRI Austria +43 1 892 01 07-65

or send an e-mail to service@arri.at

ARRI	Document Number	Ident Number	Name	Date	Page
WRS			A-A	21.02.11	6 of 6