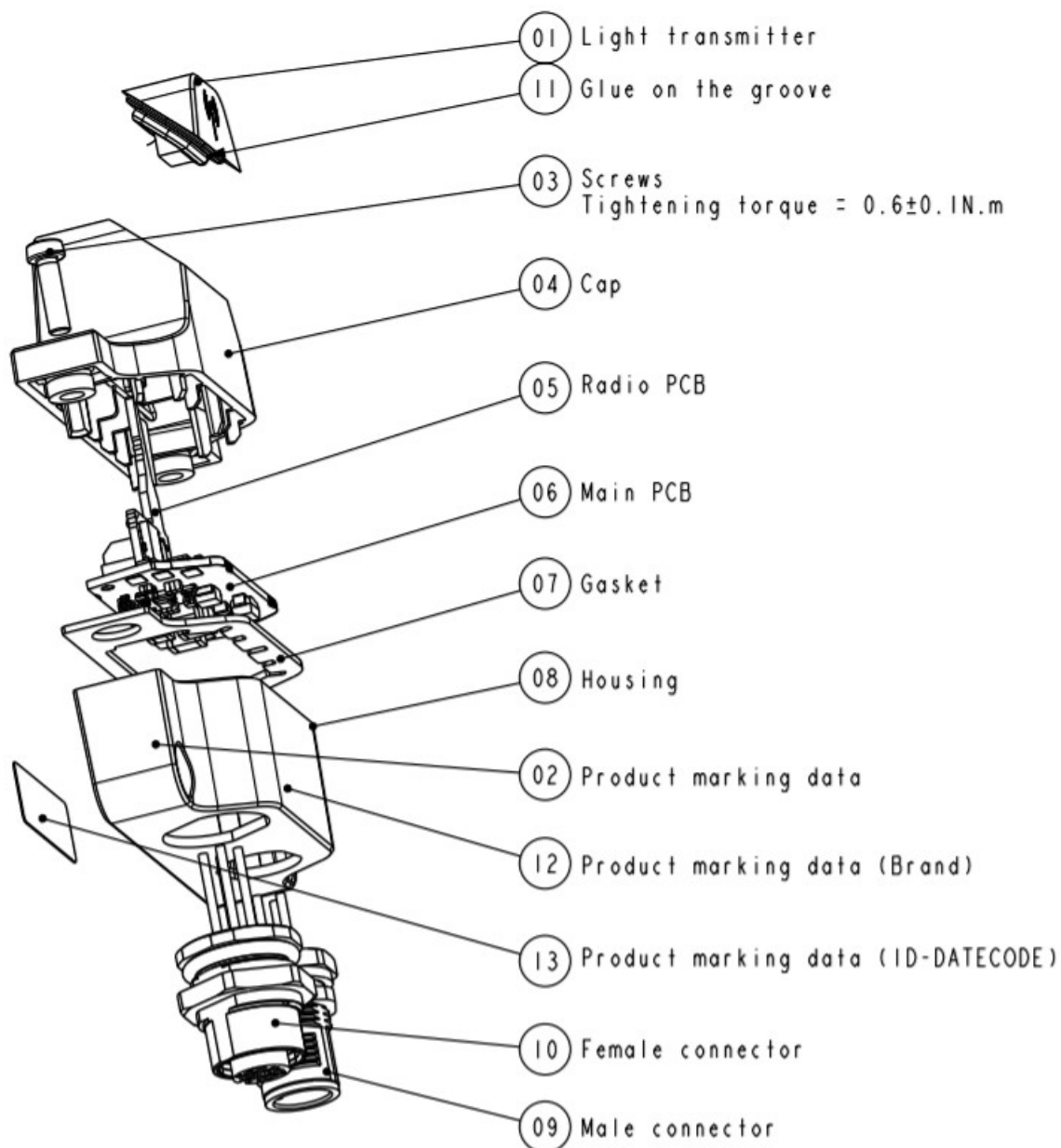
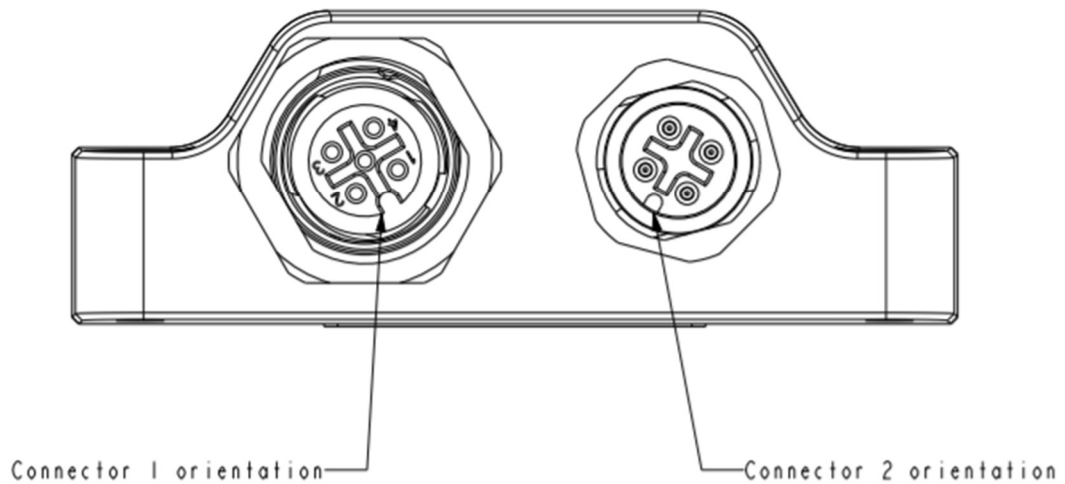


4 – Internal construction

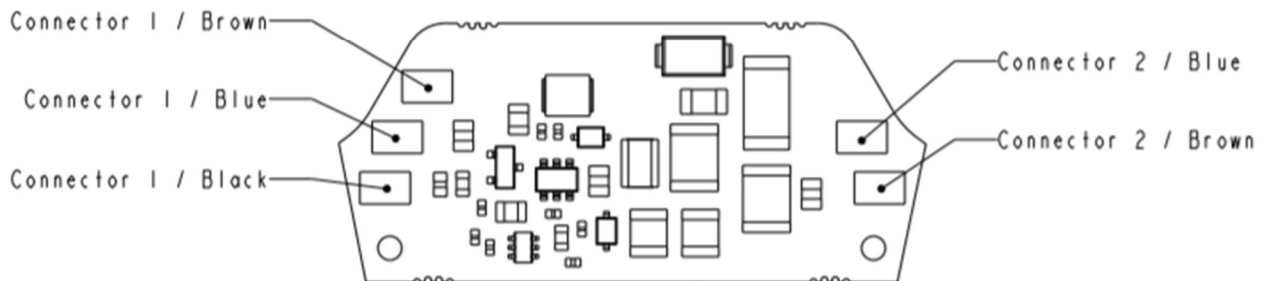
XZBWE112A24 radio transmitter internal structure (see drawing below) :



CONNECTORS ORIENTATION

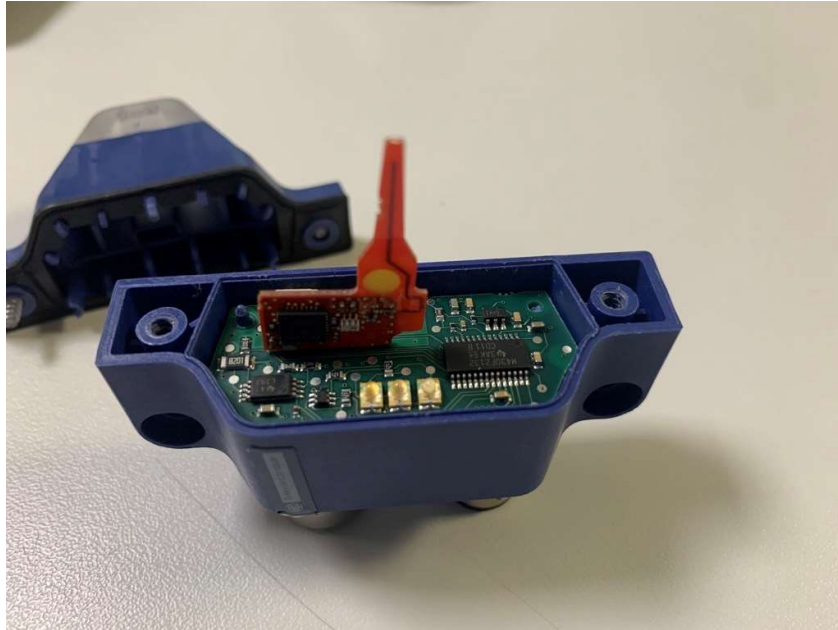


CONNECTORS PINOUT

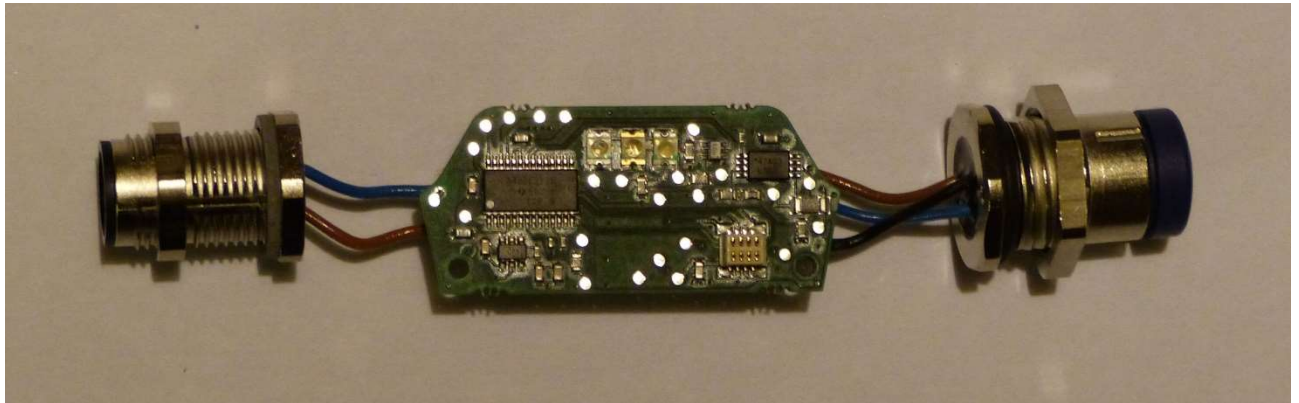


The electronic is composed of :

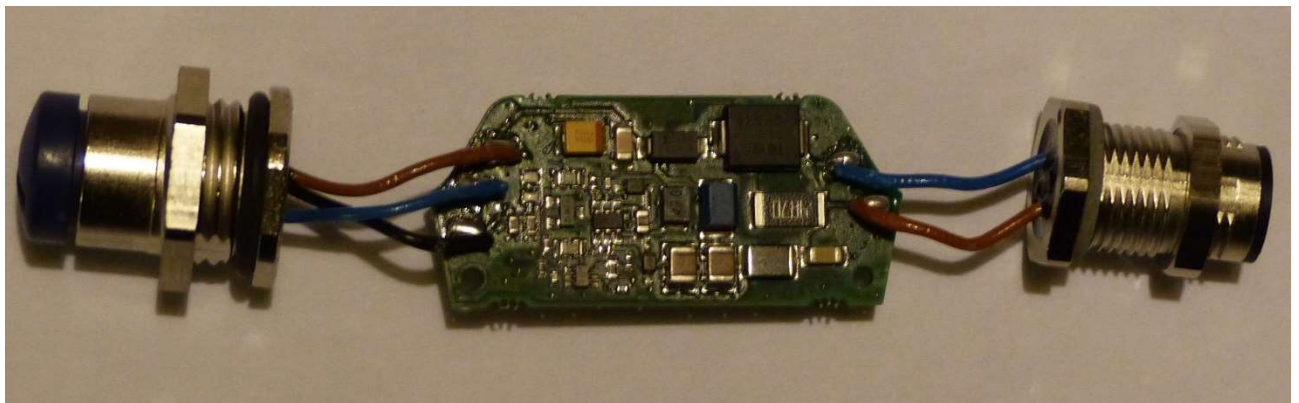
- a main PCB, which generates the regulated power supply used by the radio circuits and supports the input circuits that acquire the sensor's state,
- a radio PCB, which generates the radio signal sent to an integrated antenna (this antenna is included in the radio PCB).



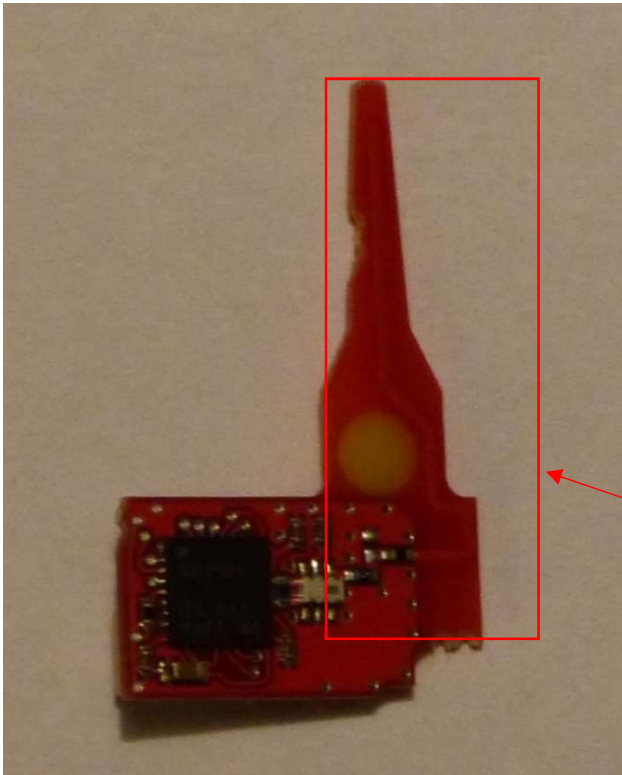
BOTTOM side (with components)



Power supply card (face 1)

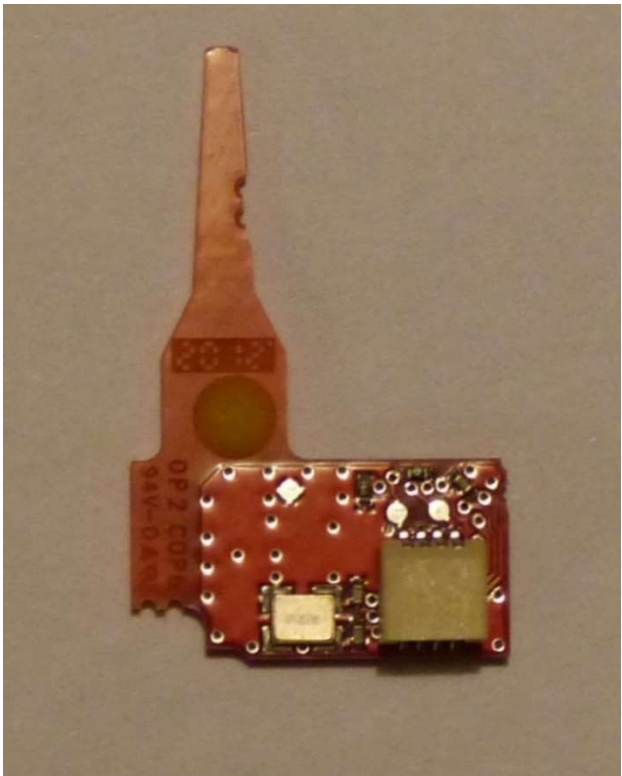


Power supply card (face 2)

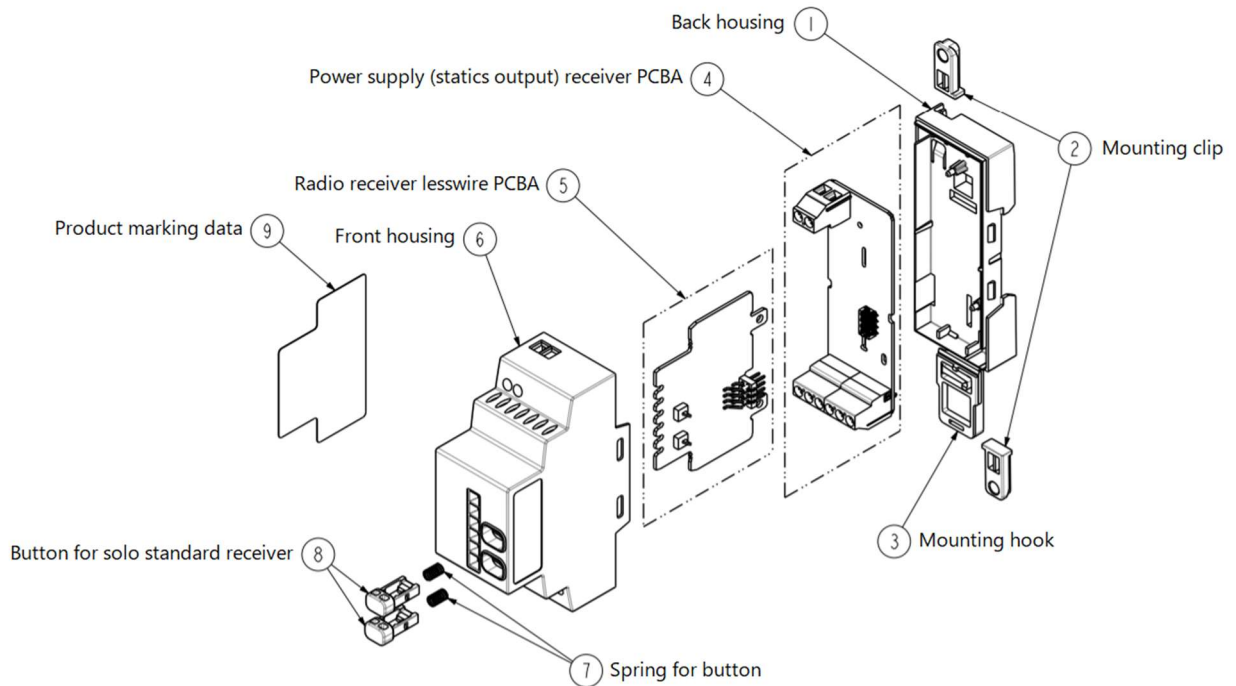


Antenna

Radio card (face 1)

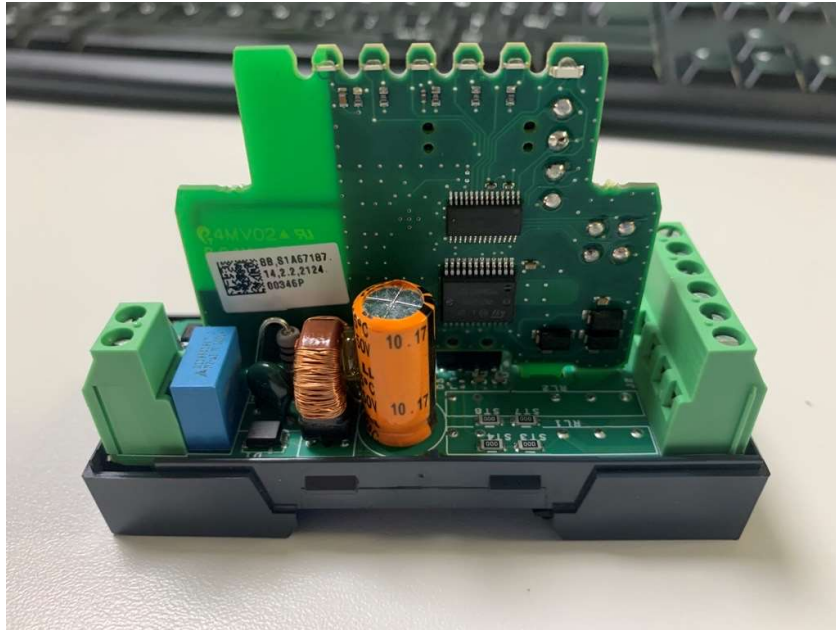


Radio card (face 2)

XZBWR2STT24 programmable receiver internal structure (see drawing below) :

The electronic is composed of :

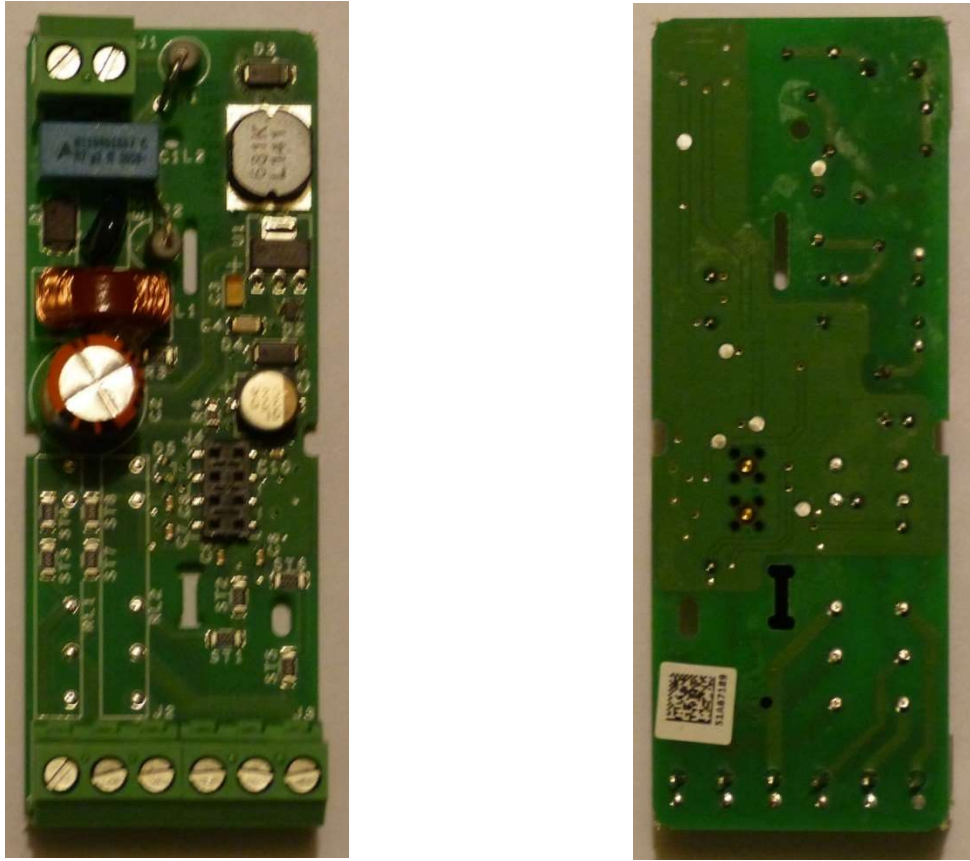
- a main PCB, which generates the regulated power supply used by the radio circuits and supports the output circuits that transmit the sensor's state for customer usage,
- a radio PCB, which receives the radio signal from an integrated antenna (this antenna is included in the radio PCB).



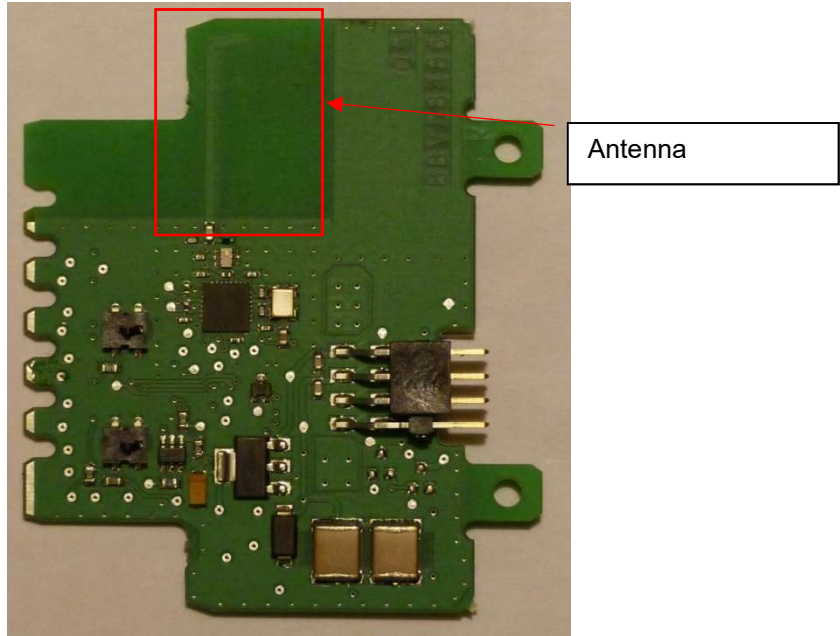
TOP side (with components)



MIDDLE side (with components)



Power supply card (faces 1 and 2)



Radio card (face 1)



Radio card (face 2)