

4

3

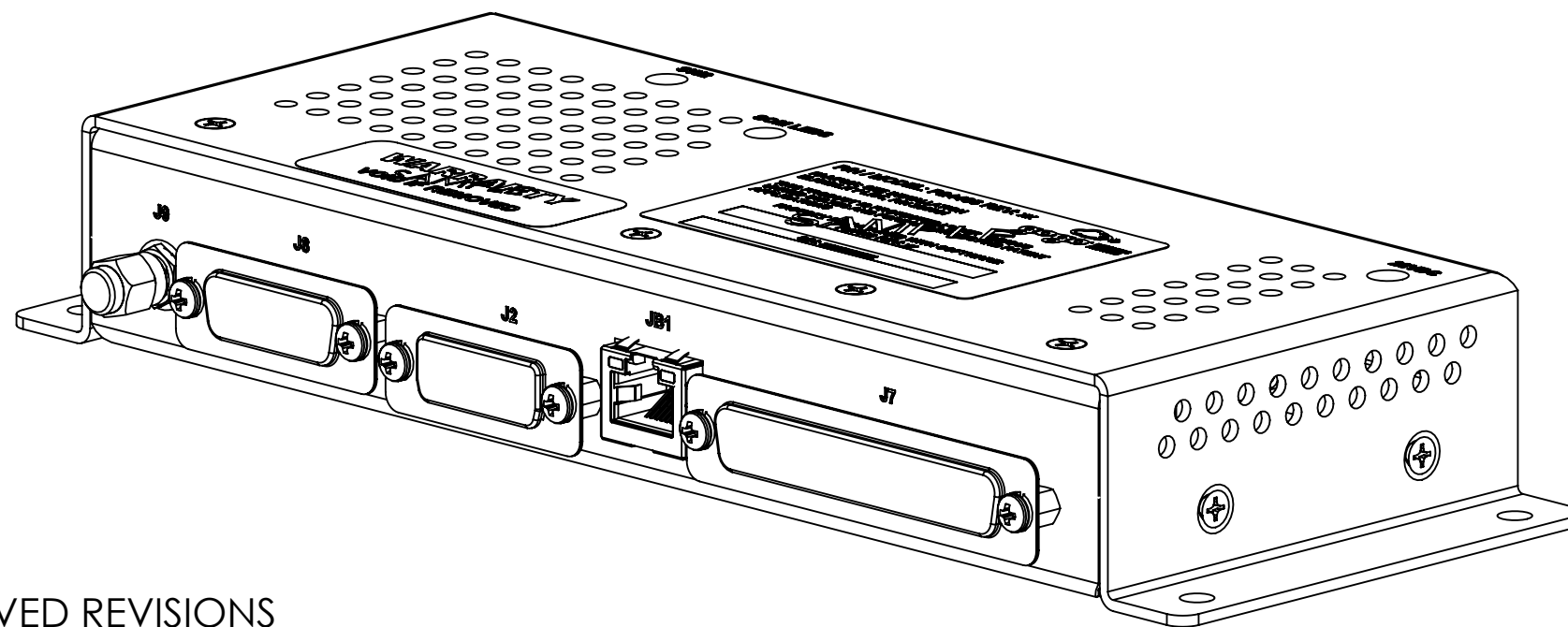
2

1

REVISION HISTORY				
REV	ECO NUMBER	DATE	DESCRIPTION	APPROVED
A	C12641	2014-07-30	INITIAL RELEASE	DON TROTTER
B	C13427	2014-11-10	REVISED FOR AIRCRAFT TEST	DON TROTTER
C	C13650	2014-12-04	ADDED ITEMS 3 AND 5	DON TROTTER

NOTES:

1. ASSEMBLY MUST BE FREE OF ALL FOREIGN MATERIALS.
2. SEE D17113 FOR PHYSICAL AND INTERFACE INFORMATION.

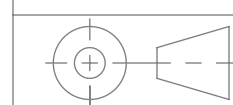


\*NOTE: OR LATEST APPROVED REVISIONS

ITEM NO.	QTY.	PART NUMBER	DESCRIPTION	*REVISION
1	1	P24487	ASSEMBLY, GVPU	A1
2	1	P26546	TERMINATOR, RP SMA, PLUG, 50 OHM	A
3	1	P24488	SOFTWARE, GVPU	A
4	1	P27804	LABEL, PMA, PRODUCT ID, GVPU	A
5	1	P25067	LABEL, PRODUCT, WARRANTY VOID IF REMOVED	A
6	1	P28889	LABEL, FCC PART 15, GVPU	A
100	0	D18215	AIRCRAFT ACCEPTANCE TEST PLAN, GOGO VIDEO PROCESSING UNIT	A
101	0	D17113	INTERFACE CONTROL DRAWING (ICD), GVPU	A1
9	1	P28889	LABEL, FCC PART 15, GVPU	A

APPROVALS DRAFTER DON TROTTER DESIGN ENGINEER DON TROTTER PROJECT LEAD JIM SCHILLING MANUFACTURING JEFF VILLIARD QUALITY JOE WOJNIAK		105 EDGEVIEW DRIVE SUITE 300 BROOMFIELD, COLORADO 80021 U.S.A.			
TITLE <h2 style="text-align: center;">TOP ASSEMBLY, GVPU</h2>		SIZE <b>B</b>	CAGE CODE <b>1NQ67</b>		PART NUMBER <b>P24486</b>
SCALE: 1:1		DOCUMENT NUMBER --	CALC. WT. --	ACT. WT. --	SHEET 1 OF 2

THIRD ANGLE PROJECTION



INFORMATION IN THIS DRAWING IS PROPRIETARY. IT IS ISSUED IN CONFIDENCE AND SHALL NOT BE ISSUED AS A BASIS FOR MANUFACTURING WITHOUT WRITTEN PERMISSION FROM GOGO BUSINESS AVIATION

