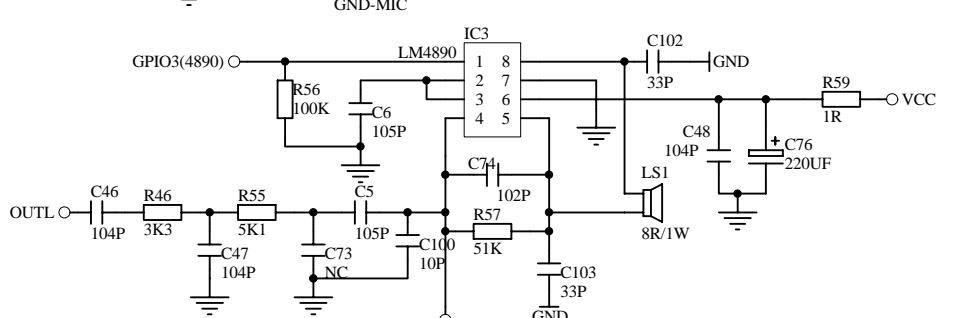
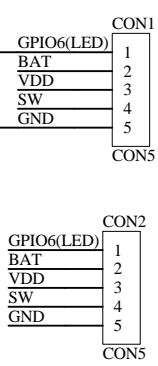
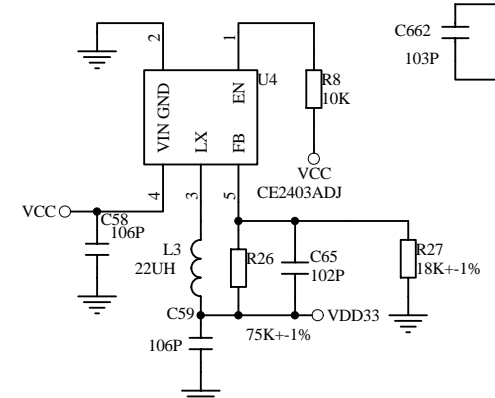
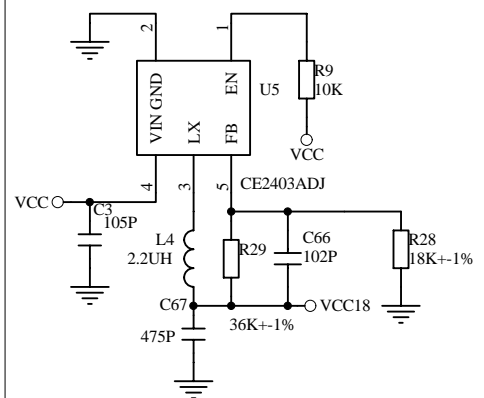
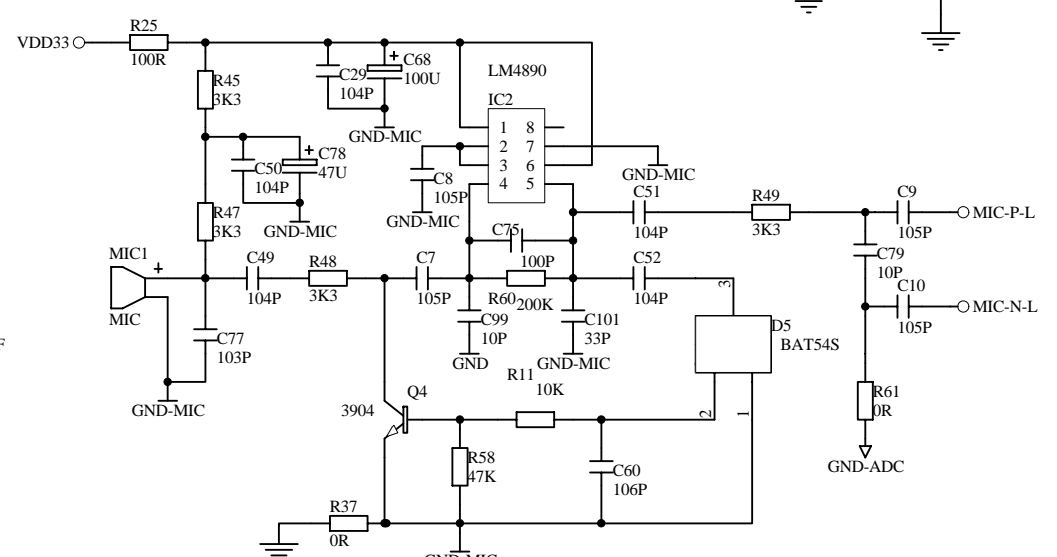
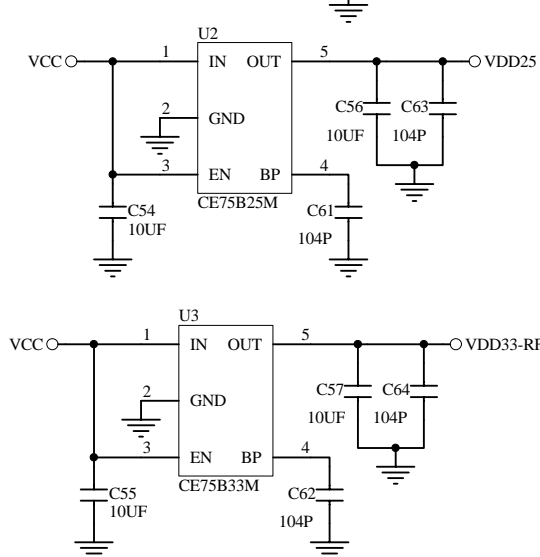
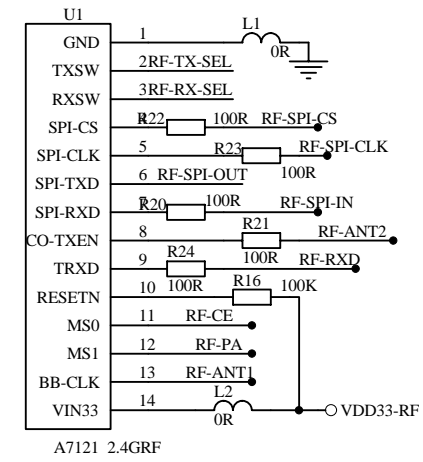
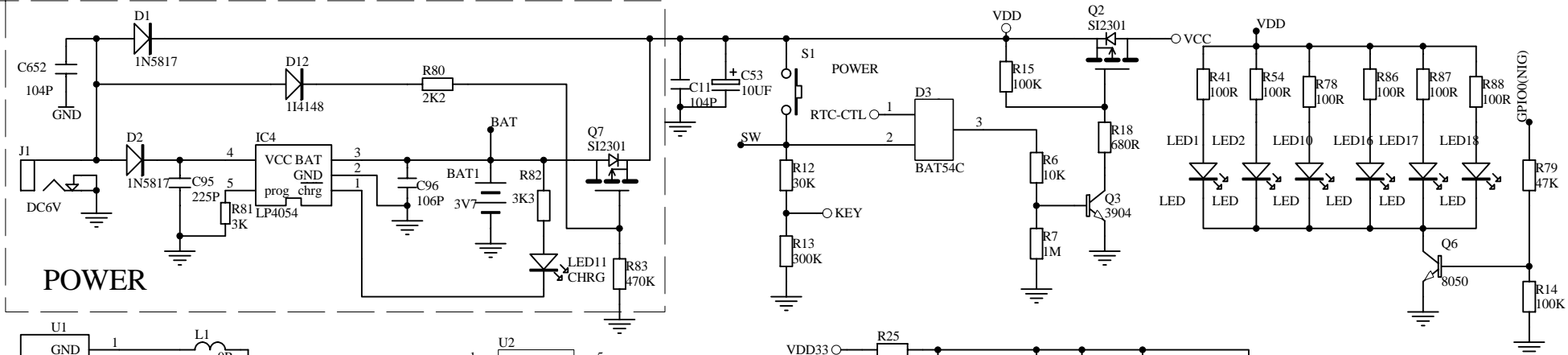
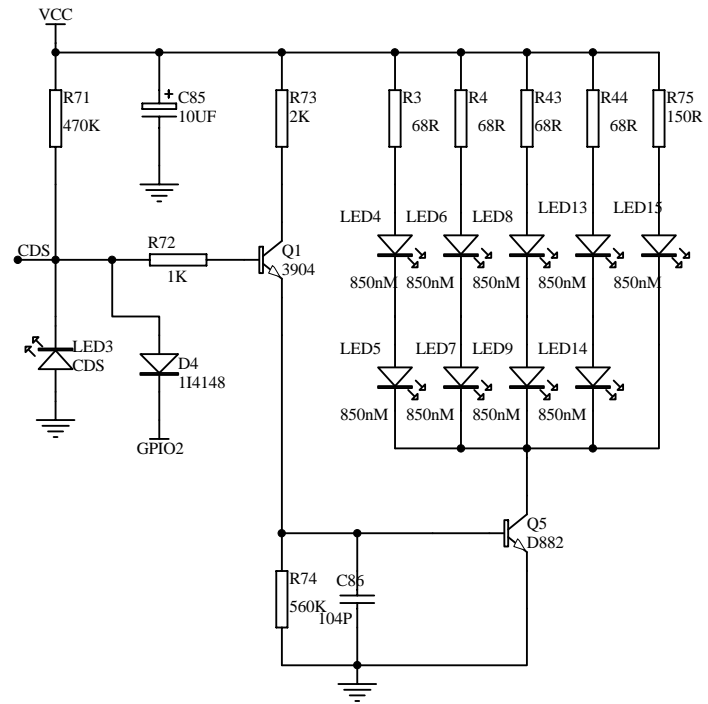
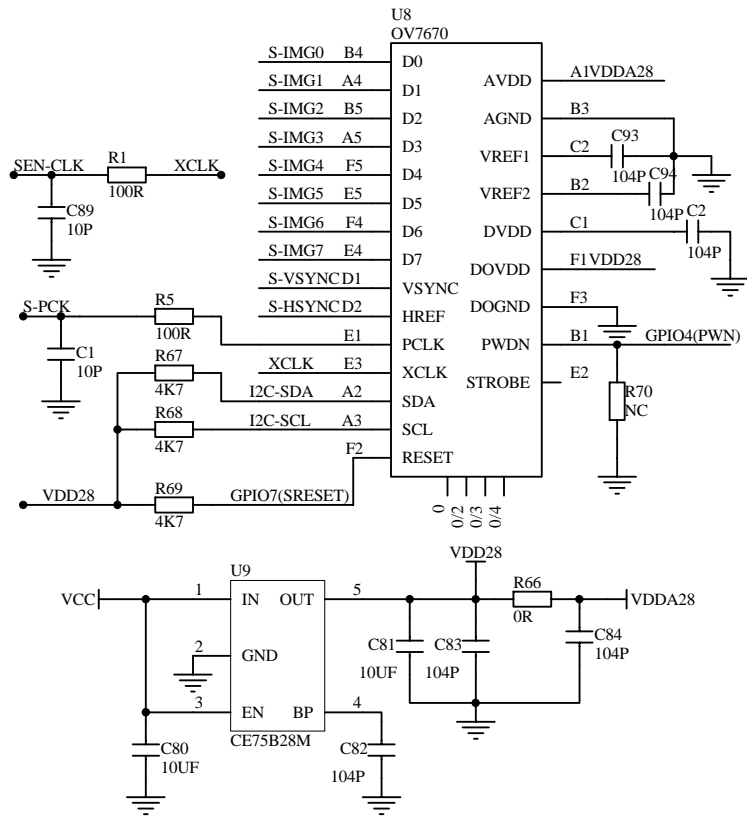


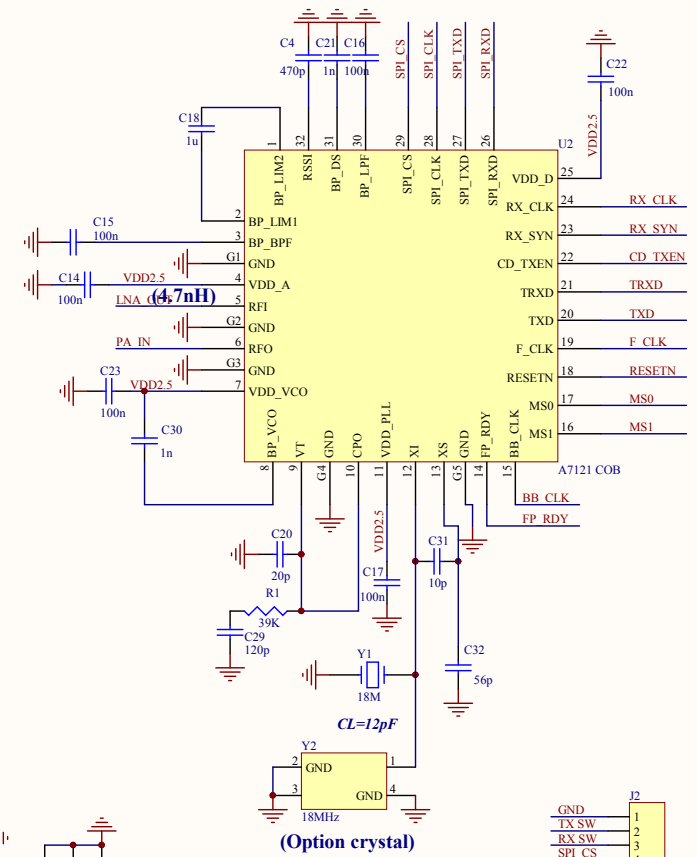
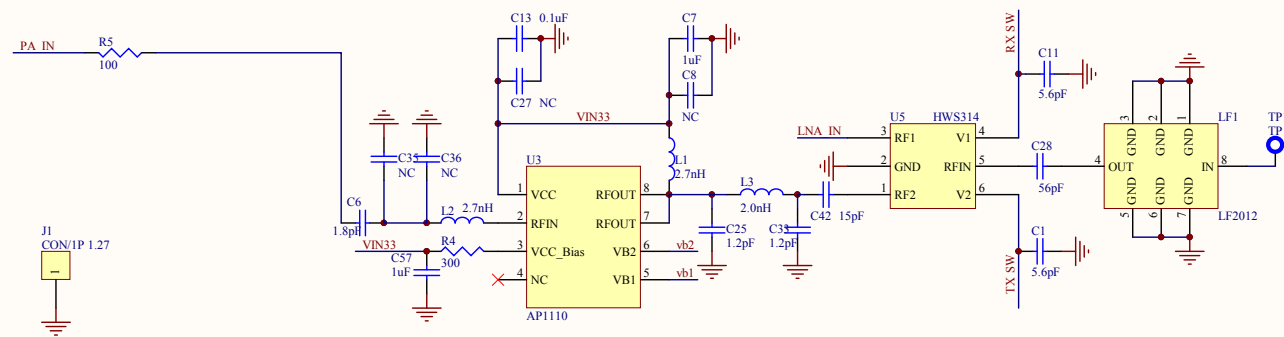
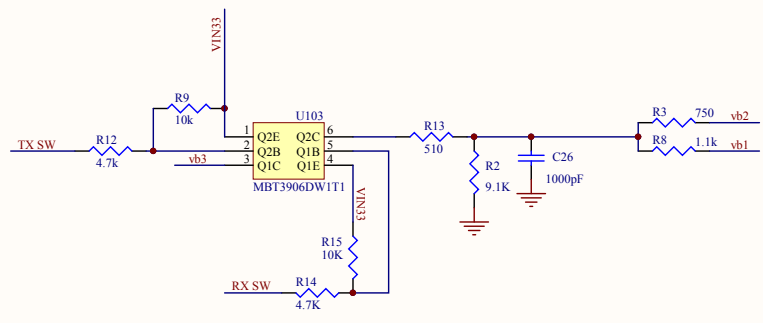
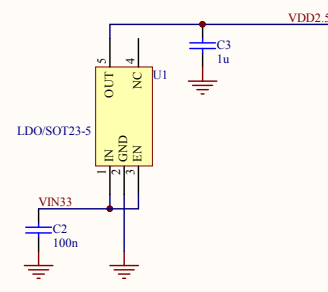
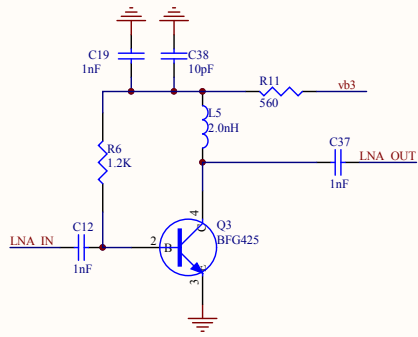
Title		
Size	Number	Revision
A4		
Date:	19-Jun-2012	Sheet of
File:		Drawn By:



Size	Number	Revision
A4		
Date:	19-Jun-2012	Sheet of
File:		Drawn By:



Title		
Size	Number	Revision
A4		
Date:	19-Jun-2012	Sheet of
File:		Drawn By:



J2	Signal
1	GND
2	TX SW
3	RX SW
4	SPI_CS
5	SPI_CLK
6	SPI_TXD
7	SPI_RXD
8	CD_TXEN
9	TRXD
10	RESETN
11	MS0
12	MS1
13	BB_CLK
14	VIN33

CON14

(Option crystal)

Title J2.4GM20S3 -V1.1		
Size	Number	Revision
B		
Date:	2013-2-1	Sheet of
File:	E:\Bryant zheng\U2.4GM20S3-V1.1.sch	Drawn By: