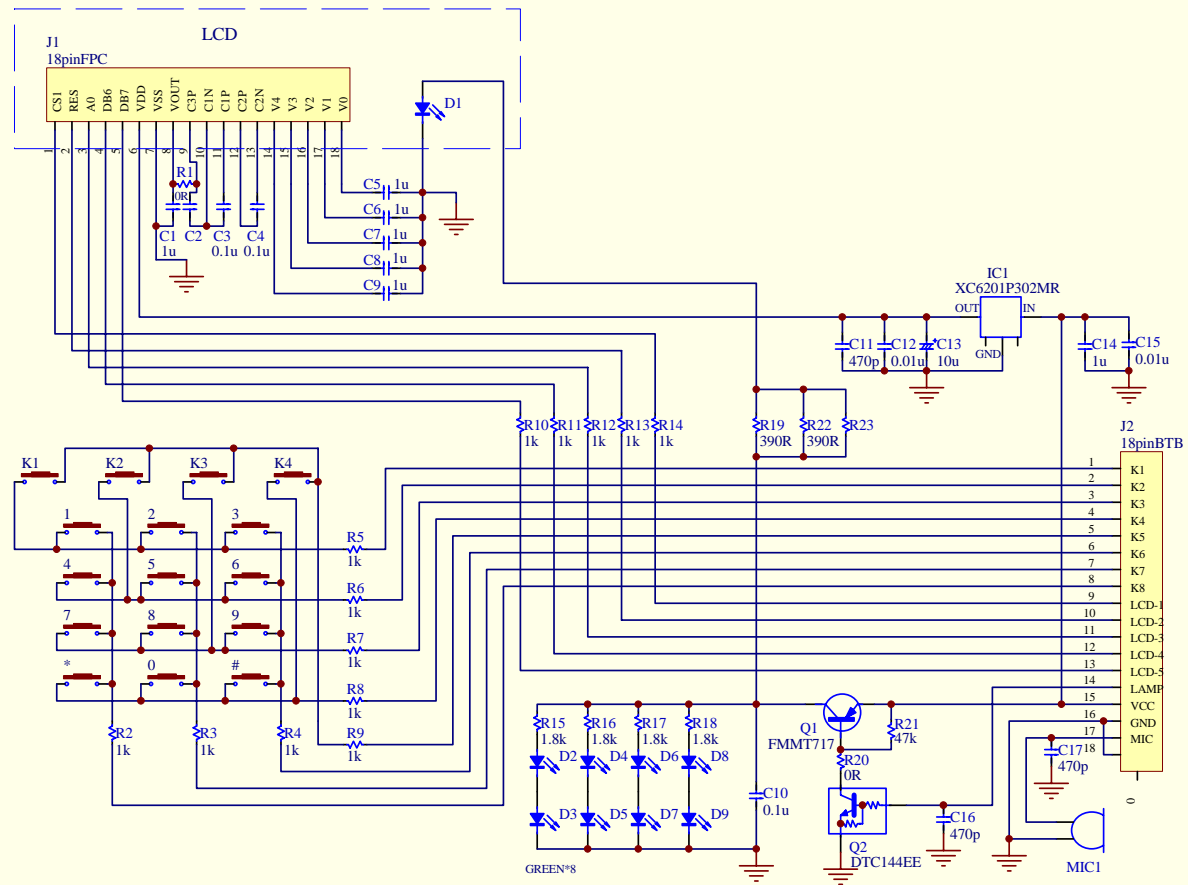


REV	DATE	BY	CHK
1			



DR7000-1 DR7100-1 LCD Board

SCHEMATIC DIAGRAM

File:

DR:	STAND:	CHKD:	APPD:	VER:	Sheet	Date
				01	2/2	13.03.05