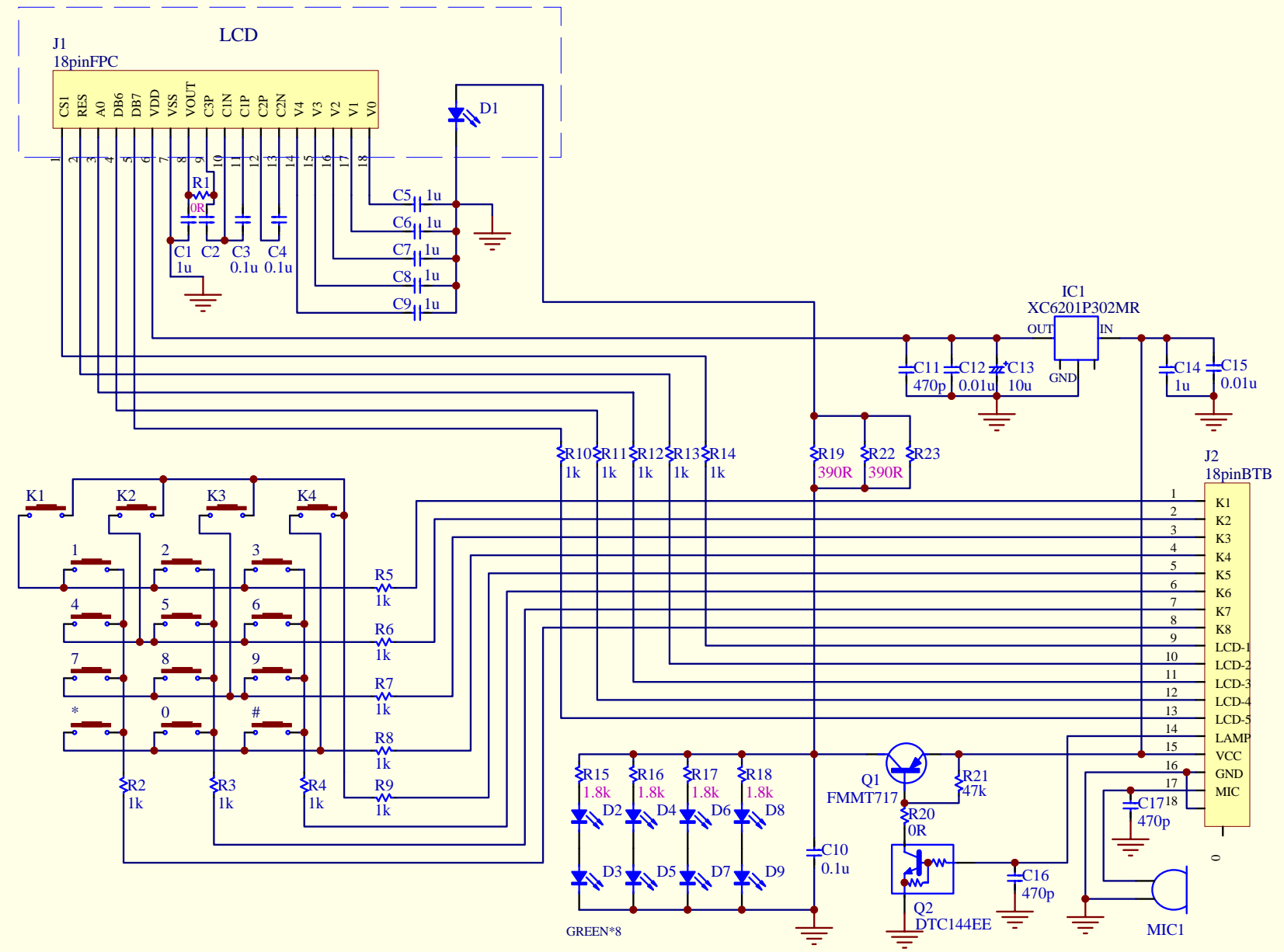


CU780-2 SCHEMATIC DIAGRAM

Rev	Stand	Chkd	Appr	Ver	Sheet	Date
01				01	1/2	1/8/88



CU780-2 SCHEMATIC DIAGRAM						
File:						
DR:	STAND:	CHKD:	APPD:	VER:	Sheet:	Date:
				01	2/2	12.03.05