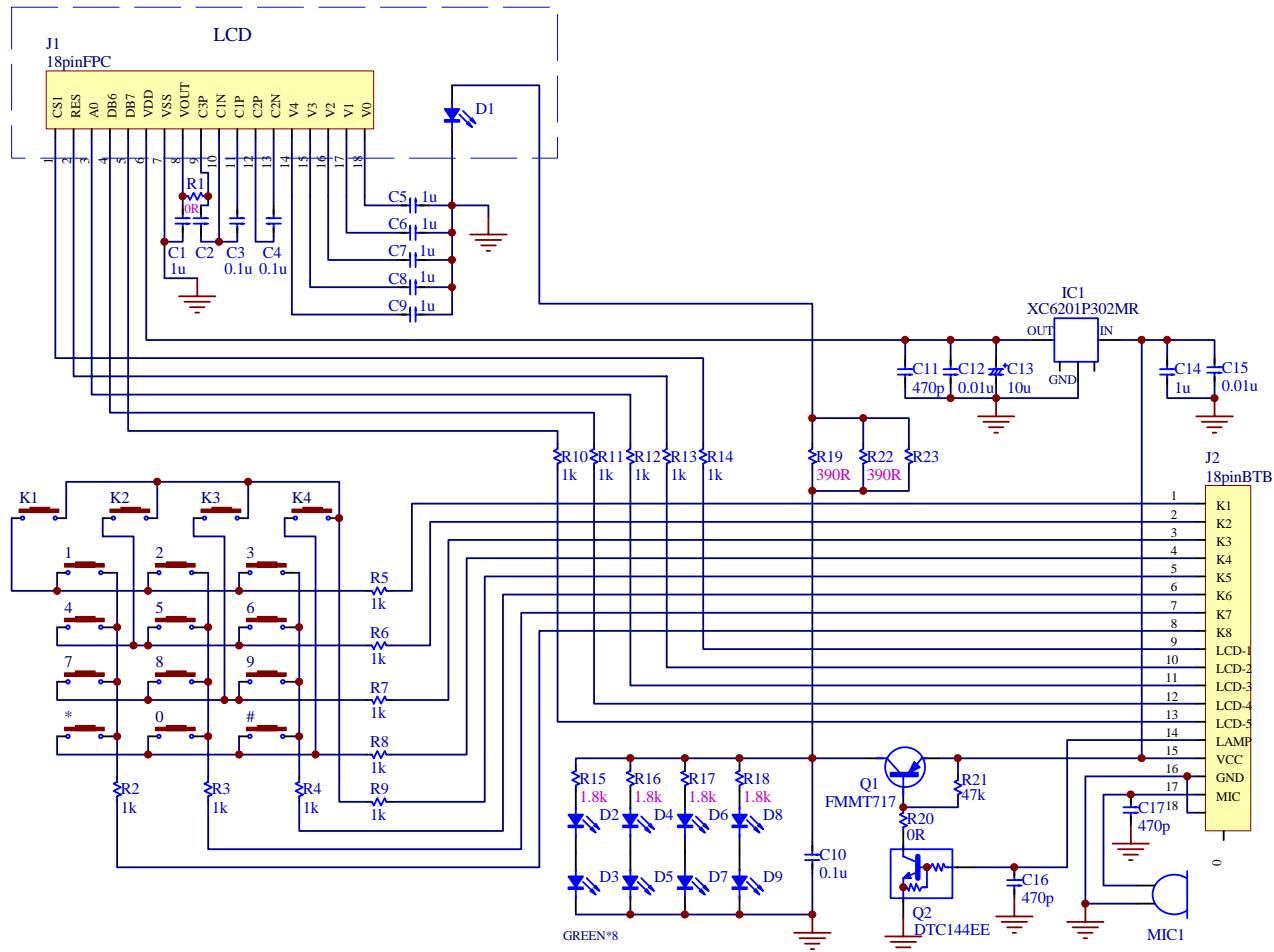


CU786-1	Rev.	Date	Author
	1.0	2008-01-15	J. Smith
	1.1	2008-02-01	J. Smith
	1.2	2008-03-01	J. Smith



CU780-1 SCHEMATIC DIAGRAM

File:

DR:	STAND:	CHKD:	APPD:	VER:	Sheet	Date
				01	2/2	12.03.05