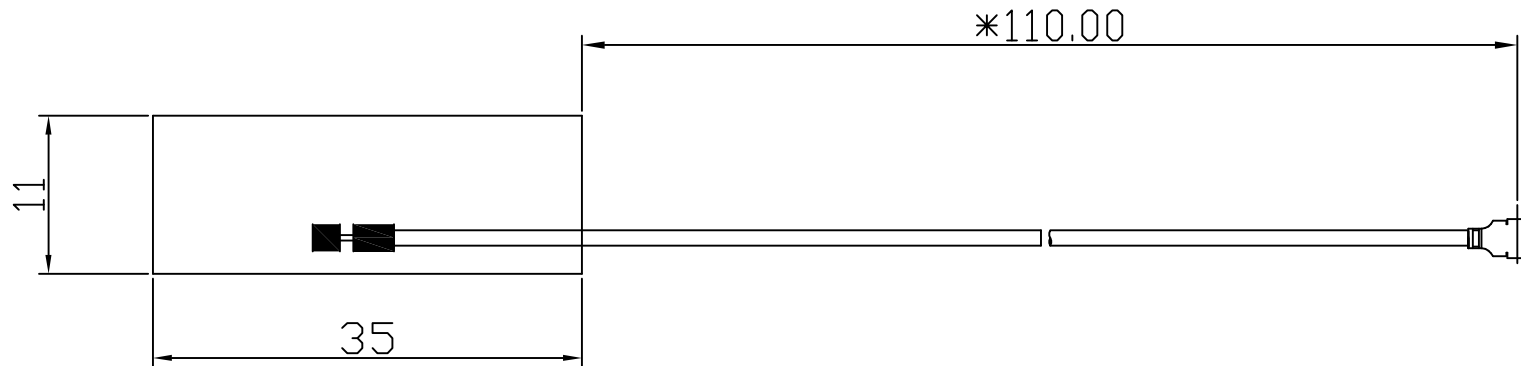


承认书项目表

NO.	内容 (Contents)	页数 (Number of Page)	页码 (Page Code)
1	承认书封面 (Spec Cover)	1	1
2	承认书项目表 (Spec Item)	1	2
3	工程成品图 (Drawing)	1	3
4	电性测试报告 (Test Reports)	1	4
5	S 参数测试 (S Parameter)	1	5
6	增益测试 (Gain Test)	1	6
7			
8			
9			
10	-	-	-
11	-	-	-
12	-	-	-

SIGN	DATE	DESCRIPTION	APPROVER
△			
△			
△			



Note:

- 1.Take " * "is the important dimension.
- 2.Tolerance:Unmarked tolerance refer to the standard tolerance please.

东莞脉讯电子有限公司

3	FW3511	FPCB	FPCB 35*11mm	1
2	R-CB-113B	Cable	O.D. 1.13mm Black	1
1	CI-113	Connector	Mini Connector	1
No.	Part Number	Name	Material	Q'ty

TITLE:ANTENNA					
PART NO.: FW3511-113B-IX110			DWG NAME:FW3511-113B-IX110.DWG		
APPROVED BY	CHECKED BY	DESIGNED BY		Tolerance	
jeff 2022-01-10	leon 2022-01-10	YD 2022-01-10		UNITS: mm	X.X ±0.20
				SCALE: 1/1	X.XX ±0.10
			REVISION: A	X° ±3°	

电性测试报告

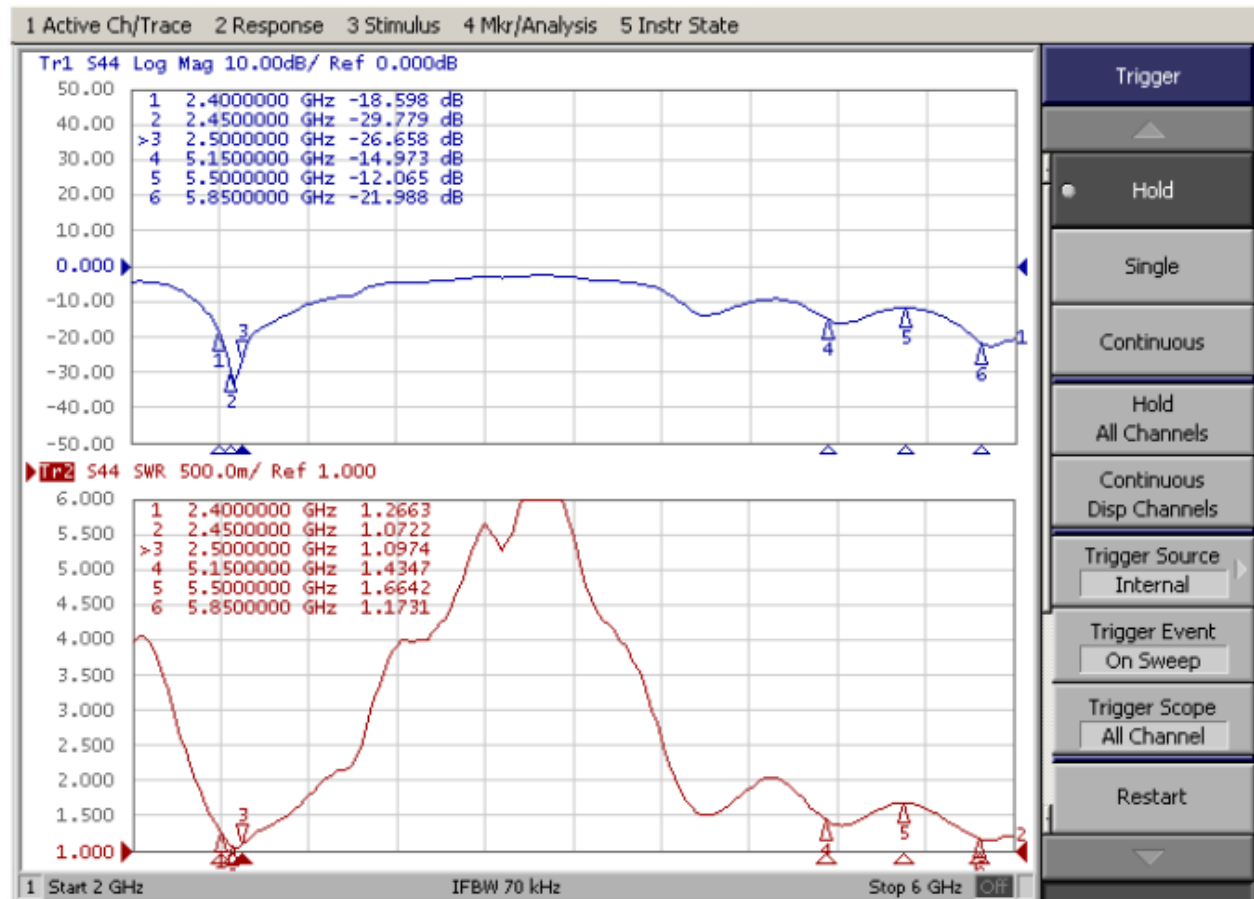
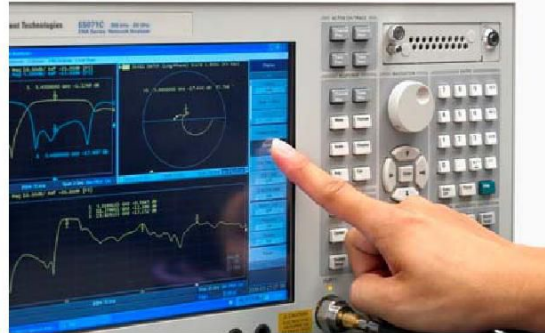
Test Reports

Description	
Model name	2.4G/5G ANT
Manufacturer	Dongguan Maixun Electronics Co., Ltd.
Address	Address: 405, 4th Floor, No. 6 Qilin East Road, Daning Community, Humen Town, Dongguan City, China
Frequency	2400 ~ 2500MHz 4900 ~ 5900MHz
S.W.R.	≤ 2.5
Antenna Gain	4.0 ± 0.7 dBi
Impedance	50 Ohm Nominal
Return Loss	-10 dB Max
Radiation	Omni-directional
Cable Loss	4.9 dB / m Max @ 5000 MHz
Polarization	Linear, Vertical
Admitted Power	1 W
Connector	13
Physical Properties	
Antenna Material	FPCB
Cable Type	O.D. 1.13mm // 125 mm
Operating Temp.	-35 ~ +60 °C
Storage Temp.	-35 ~ +70 °C

S 参数测试

S Parameter Test

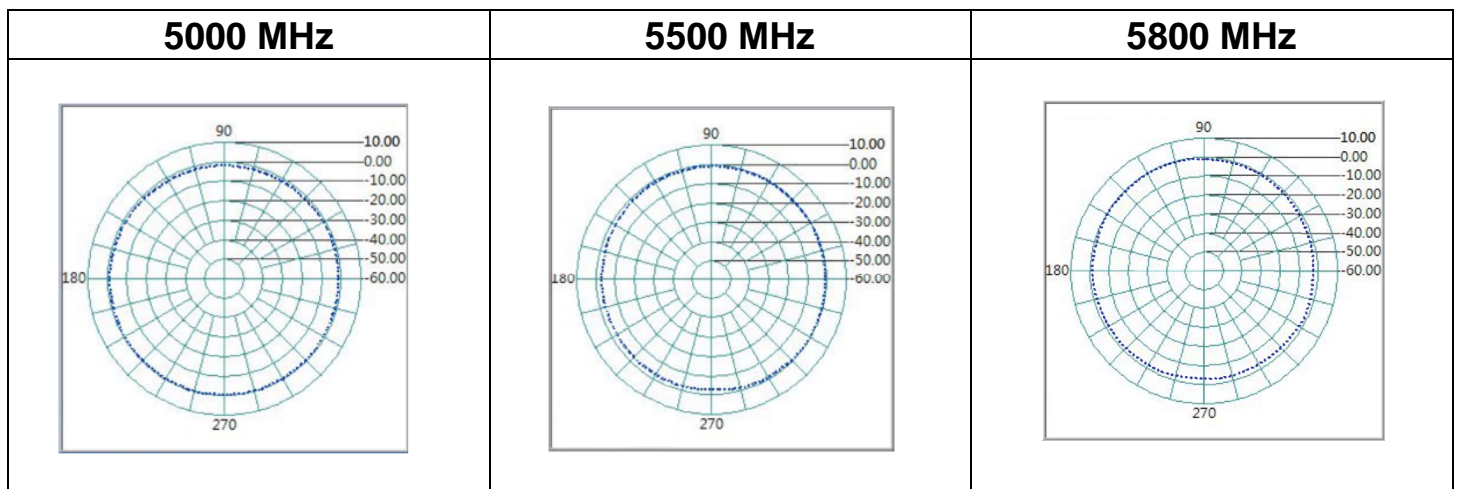
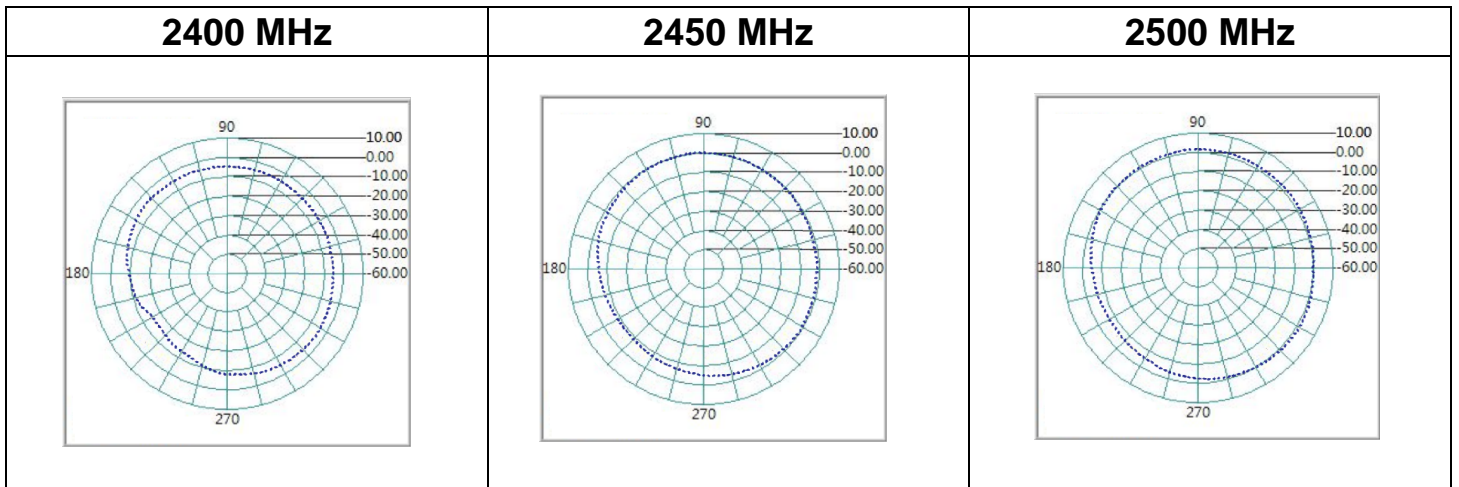
Agilent E5071C



Product Name: Antenna

5. Antenna - Radiation Pattern Test Data

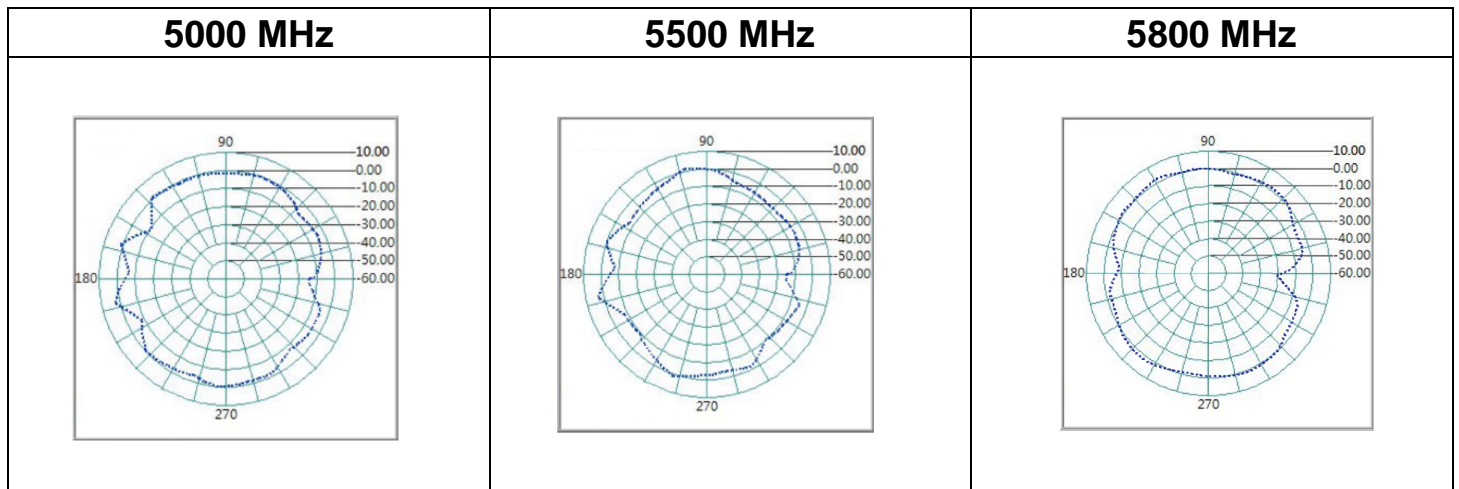
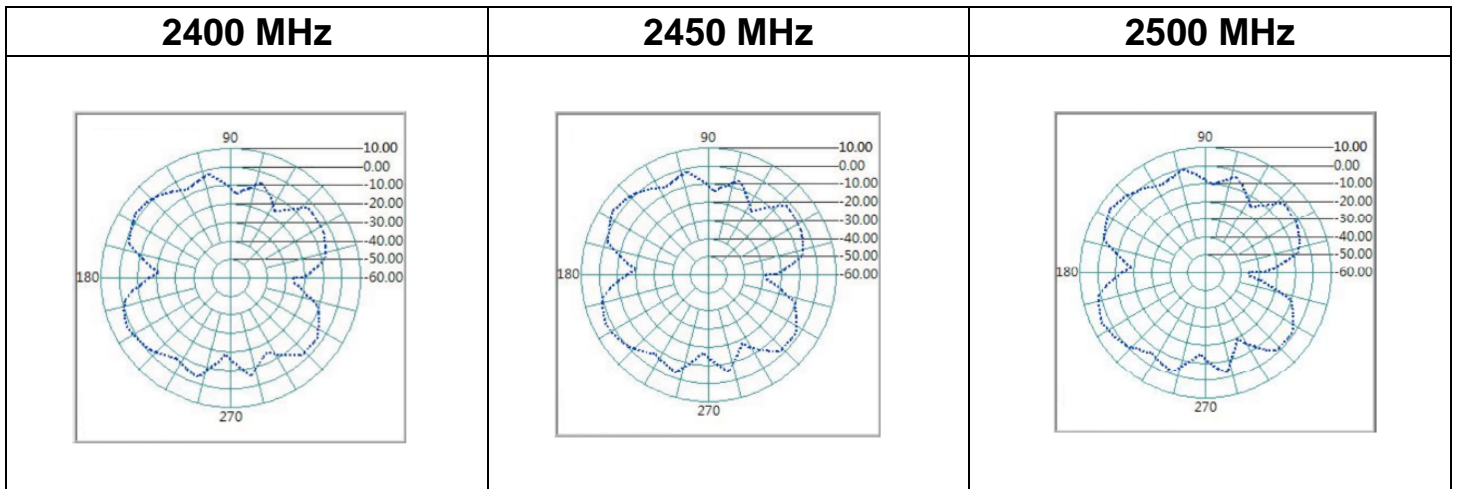
XY-PLANE



Product Name: Antenna

5. Antenna - Radiation Pattern Test Data

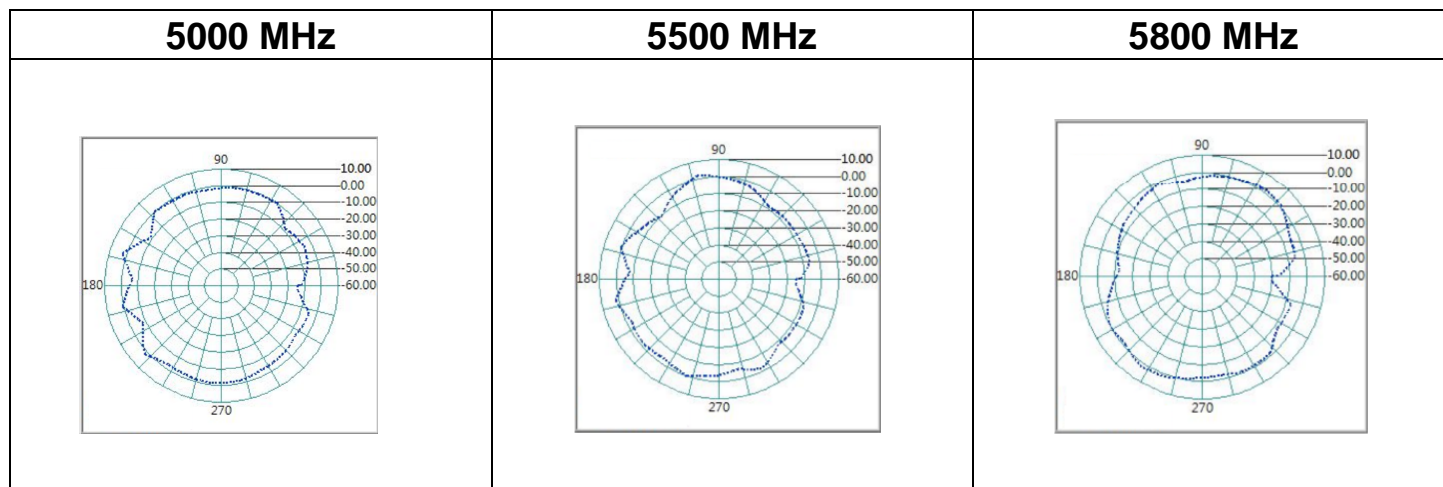
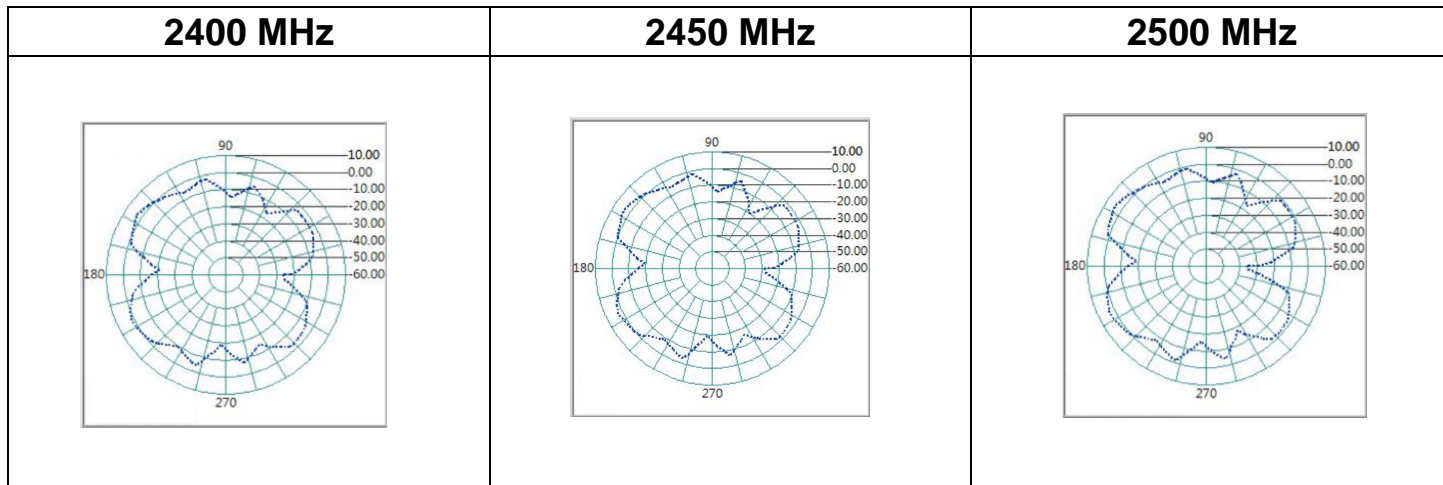
XZ-PLANE



Product Name: Antenna

5. Antenna - Radiation Pattern Test Data

YZ-PLANE



Frequency	2400	2450	2500	5000	5500	5800
Peak Gain(dbi)	3.25	3.68	3.96	2.82	2.97	1.96