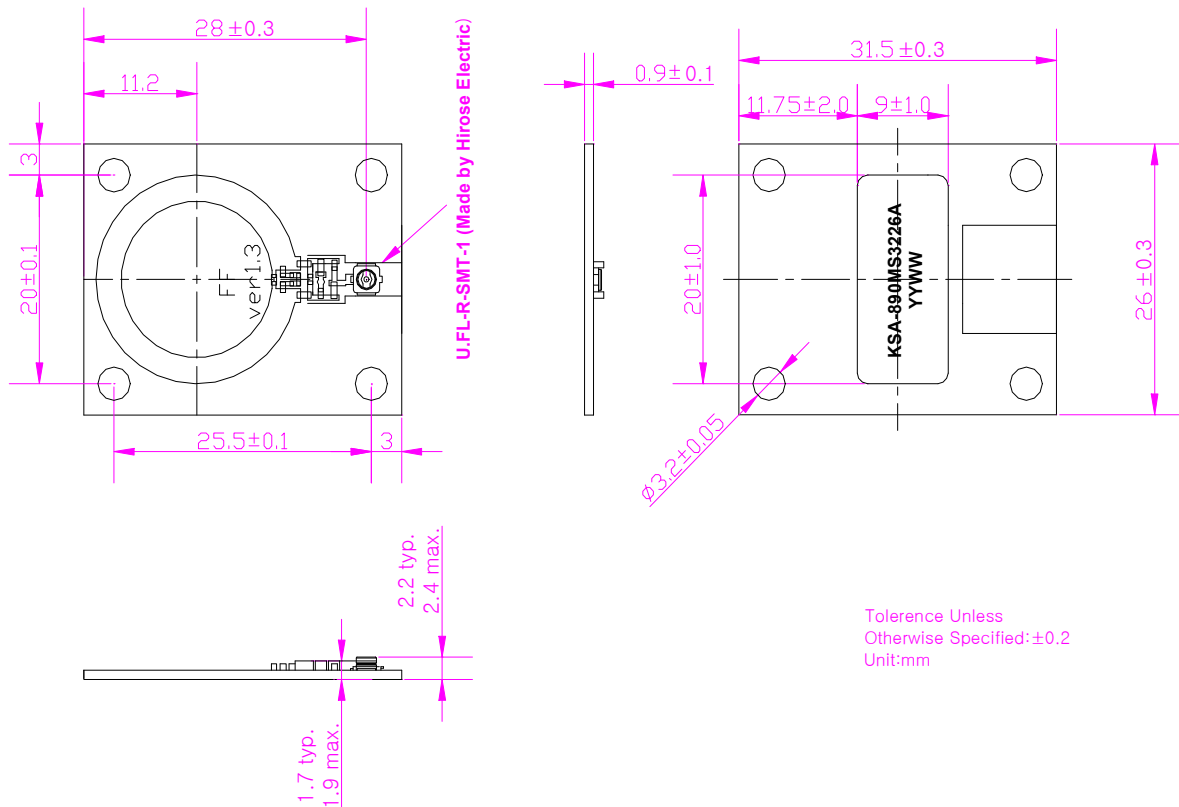


Customer	파이칩스	Written	Checked	Approved
Part No.	KSA-890MS3226A	SY KIM		
Date	06-Jan-23			

1. Electrical Specifications.

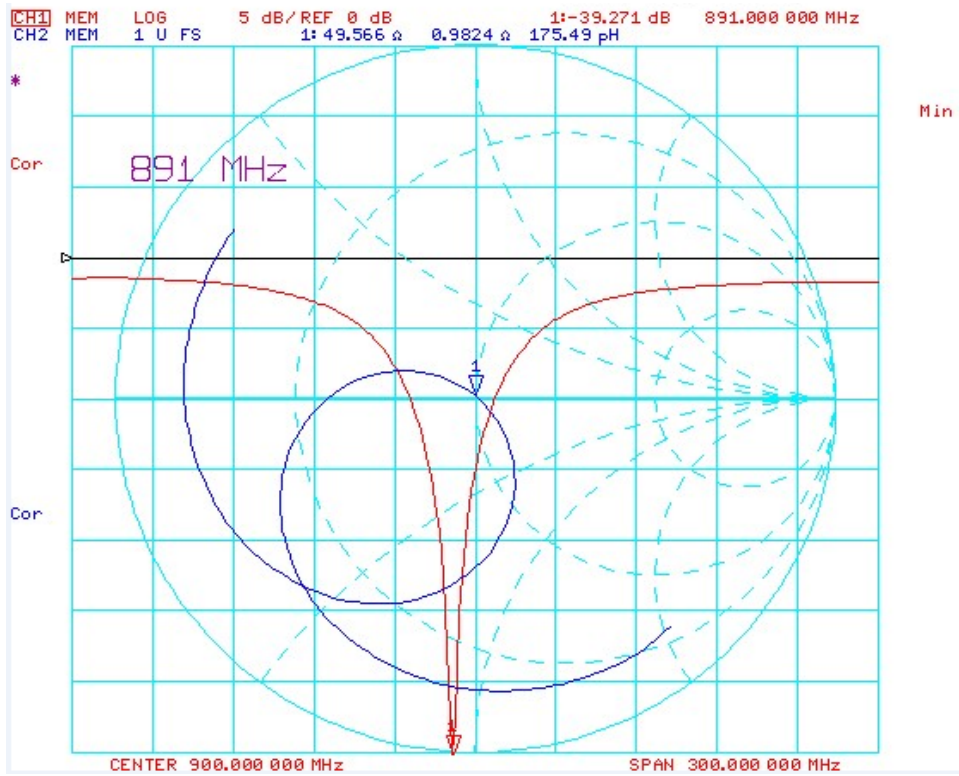
ITEM	Specifications
Operating Frequency	890 ± 10 MHz
Return Loss	- 15 dB max.
Bandwidth in 10 dB	25 MHz min.
Peak Gain @ Fc (VH-SUM)	-5.50 dBi
Impedance	50 Ω
Polarization	Linear

2. Dimensions.



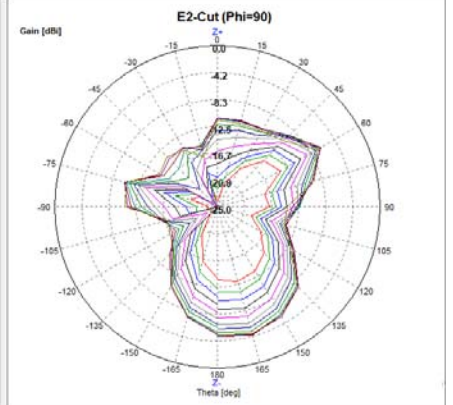
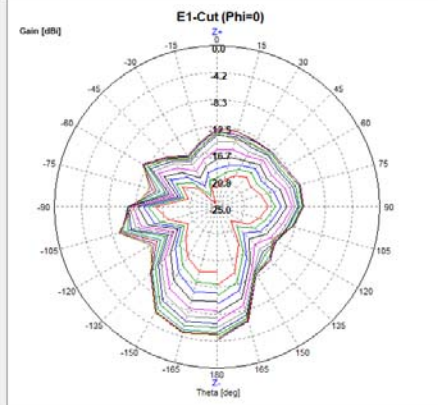
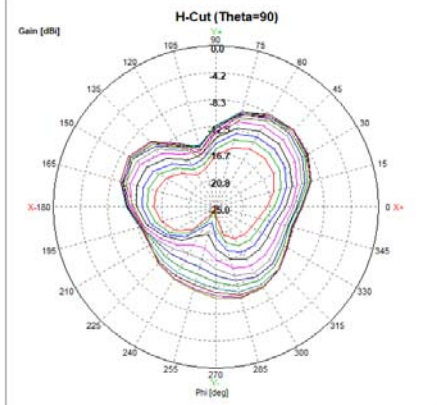
3. Data

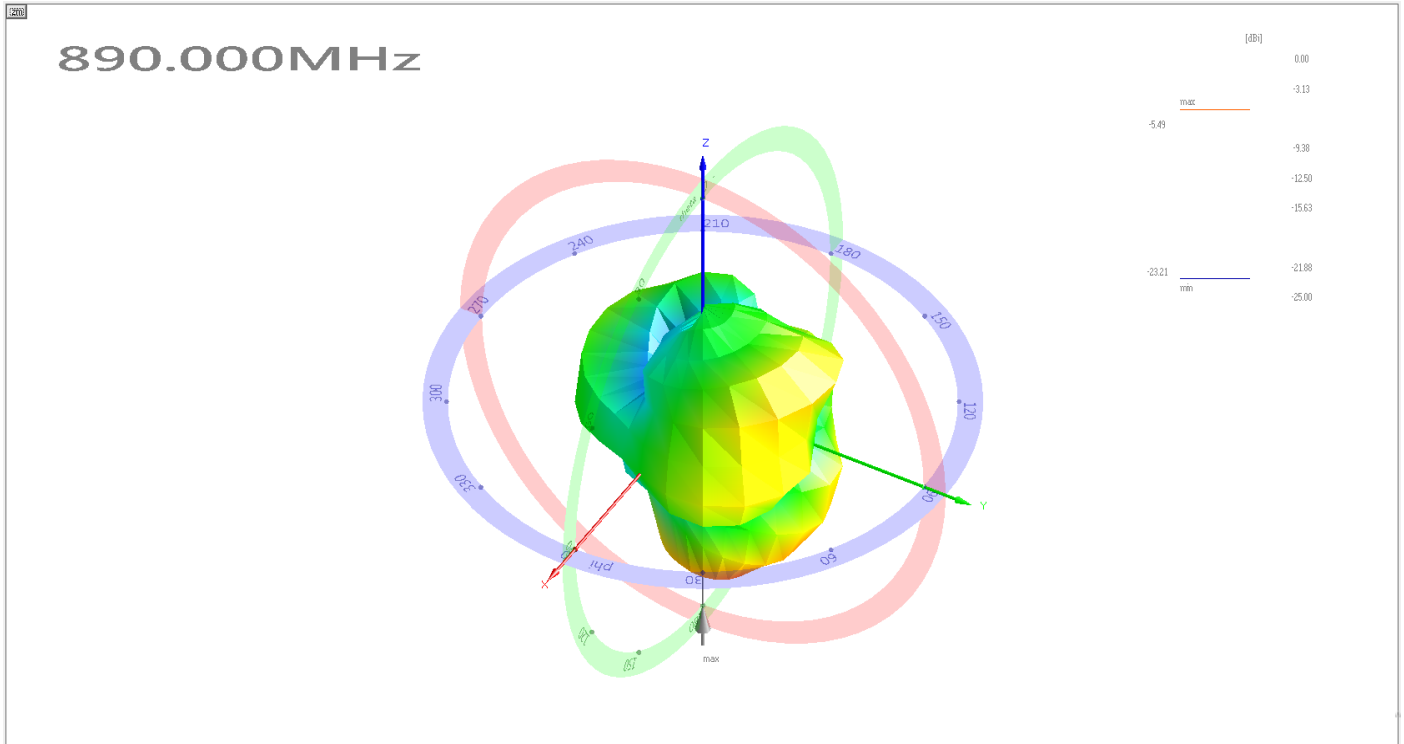
3.1) Return Loss



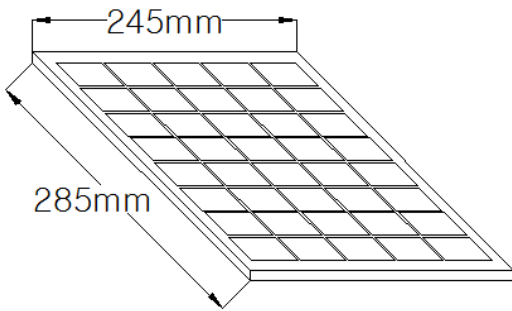
3.2) gain

No.	Freq.	PwrSurr	Eff.[%]	Avg.[dBi]	Peak[dBi]	Theta[°]	Phi[deg]	H(Theta=)	Peak[dBi]	Phi[deg]	BW[deg]	E1(Phi=0)	Peak[dBi]	Theta[°]	BW[deg]	E2(Phi=90)	Peak[dBi]	Theta[°]	BW[deg]
1	860.000	1.56	-18.08	-12.84	180.00	15.00	-17.33	-14.38	45.00	105.71	-18.06	-12.87	180.00	49.05	-17.71	-13.06	165.00	65.11	
2	865.000	2.09	-16.81	-11.13	180.00	30.00	-16.21	-13.24	45.00	104.41	-16.72	-11.22	180.00	47.63	-16.30	-11.40	165.00	62.55	
3	870.000	2.66	-15.76	-9.77	180.00	15.00	-15.29	-12.28	45.00	103.43	-15.61	-9.82	180.00	46.52	-15.12	-10.03	165.00	59.93	
4	875.000	3.42	-14.66	-8.43	180.00	15.00	-14.33	-11.32	45.00	102.72	-14.50	-8.49	180.00	46.50	-13.91	-8.68	165.00	58.57	
5	880.000	4.39	-13.57	-7.19	180.00	30.00	-13.34	-10.32	45.00	88.57	-13.40	-7.23	180.00	46.97	-12.71	-7.39	165.00	57.32	
6	885.000	5.44	-12.65	-6.15	180.00	30.00	-12.55	-9.54	45.00	84.72	-12.47	-6.24	180.00	48.17	-11.70	-6.28	165.00	55.61	
7	890.000	6.33	-11.99	-5.49	180.00	30.00	-12.02	-9.02	45.00	82.18	-11.81	-5.54	180.00	48.73	-10.98	-5.57	165.00	55.79	
8	895.000	7.11	-11.48	-4.99	180.00	30.00	-11.63	-8.64	45.00	79.86	-11.30	-5.06	180.00	49.34	-10.44	-5.04	165.00	56.68	
9	900.000	8.07	-10.93	-4.44	165.00	105.00	-11.19	-8.24	45.00	78.00	-10.73	-4.53	180.00	49.94	-9.88	-4.52	165.00	57.80	
10	905.000	8.46	-10.72	-4.19	165.00	120.00	-11.06	-8.15	45.00	76.56	-10.49	-4.35	180.00	50.54	-9.67	-4.33	165.00	65.36	
11	910.000	8.46	-10.73	-4.15	165.00	135.00	-11.13	-8.32	45.00	76.68	-10.44	-4.36	180.00	50.99	-9.68	-4.42	165.00	66.86	
12	915.000	8.08	-10.92	-4.26	165.00	135.00	-11.35	-8.71	45.00	77.50	-10.59	-4.52	180.00	51.11	-9.89	-4.62	165.00	67.21	
13	920.000	7.57	-11.21	-4.47	165.00	135.00	-11.64	-9.21	45.00	90.10	-10.81	-4.75	180.00	51.15	-10.18	-4.95	165.00	67.70	
14	925.000	7.51	-11.24	-4.45	165.00	135.00	-11.65	-9.47	45.00	89.75	-10.79	-4.71	180.00	51.02	-10.20	-4.99	165.00	68.01	
15	930.000	6.81	-11.67	-4.80	165.00	135.00	-12.02	-9.89	270.00	113.90	-11.15	-5.04	180.00	50.78	-10.60	-5.40	165.00	67.97	

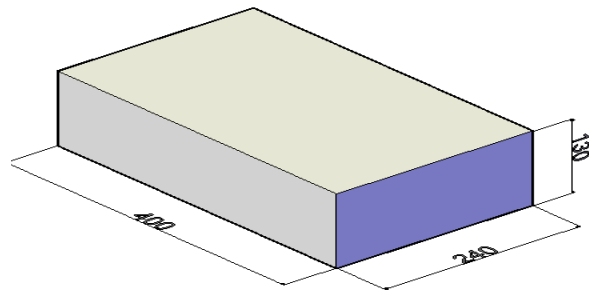




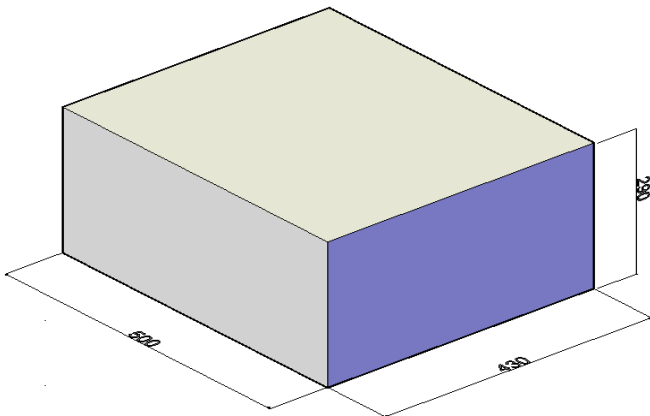
4. Package



40pcs / 1 inner sheet



40 pcs (5 inner sheets)
/ 1 inner box



200 pcs (4 inner boxes)
/ 1 outter box