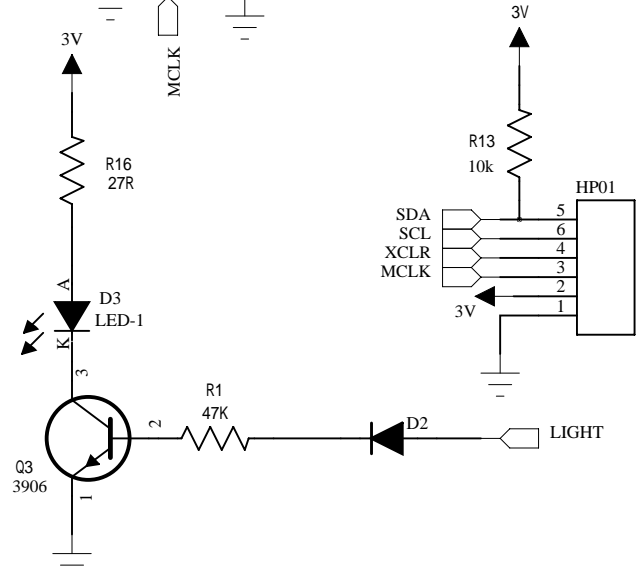
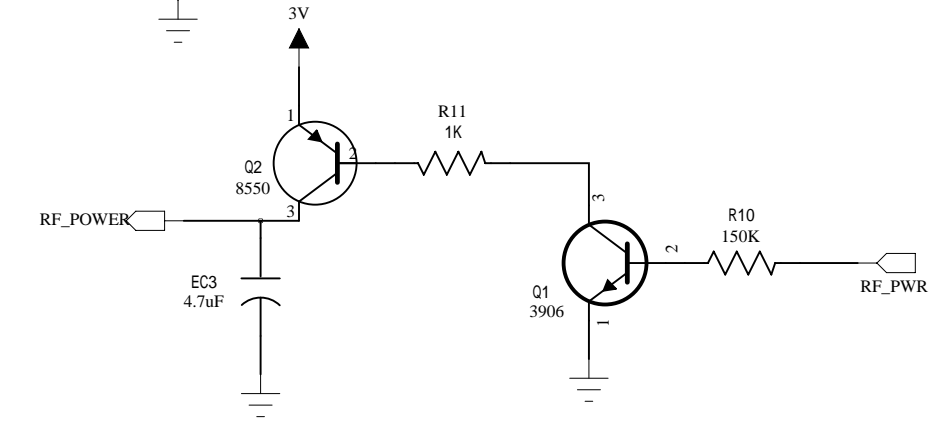
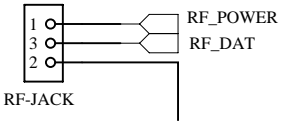
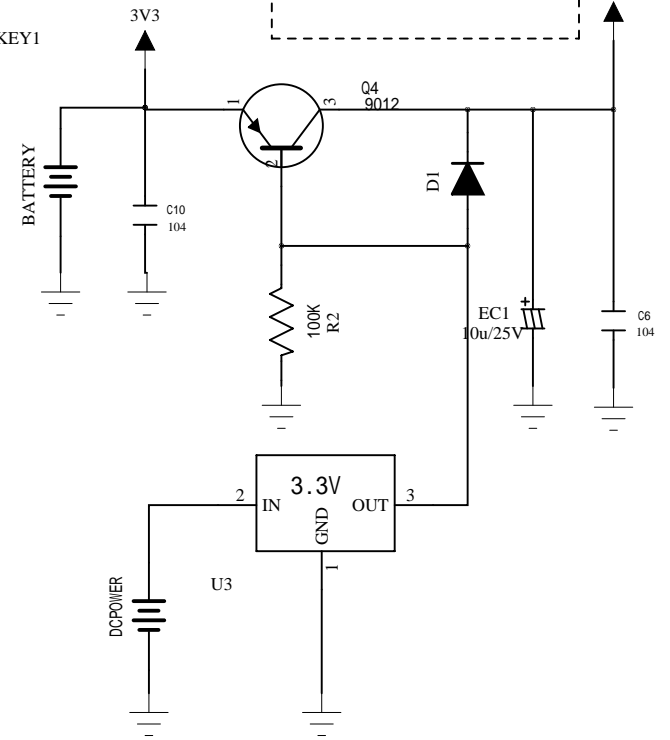
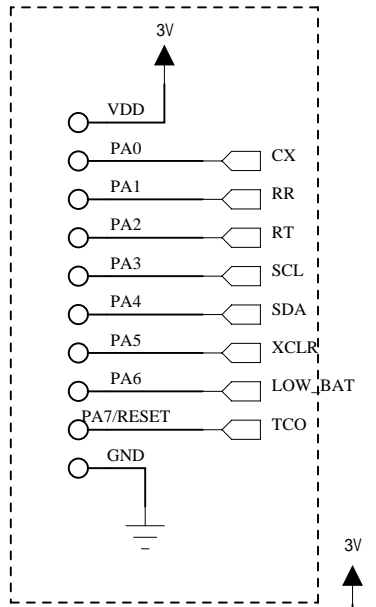


Program pins



MODEL: 1383				
DRAD: Ma tong	MATERILA:	TITLE: Sanfuda		
CHECKD:	THICKEN:			
APPROVED:	UNIT:	SIZE:	DOC NO:	REV: 01
DATE: 2010-11-19	PCB:	SCALE:	SHEET:	