

ARTWORK

TO BE APPLIED BY LASER ETCH

GLOBAL/TIER 3 MARKING ONLY

D

D

C

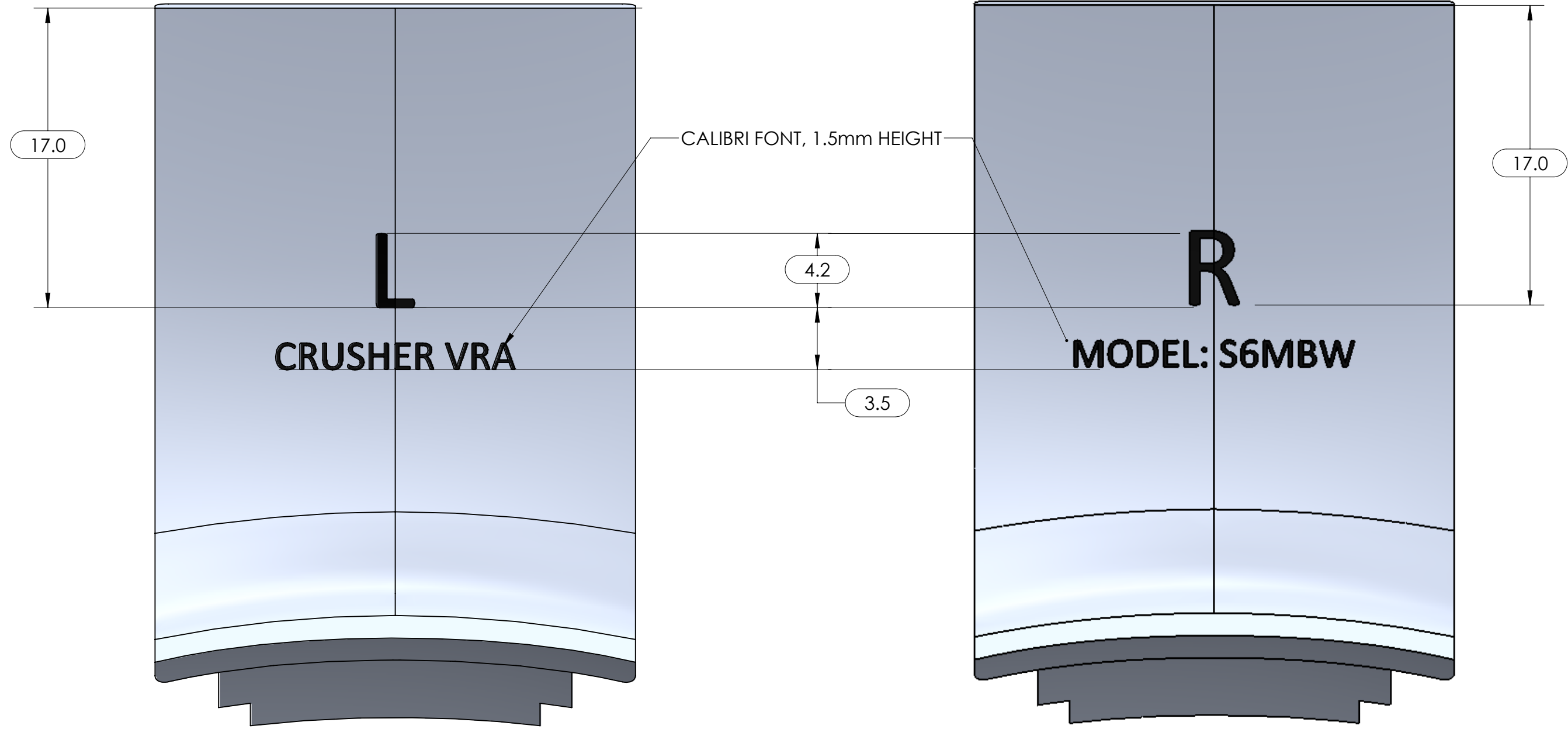
C

B

B

A

A



SIZE	DWG. NO.	REV
B		
SCALE: 1:1	SHEET 1 OF 1	