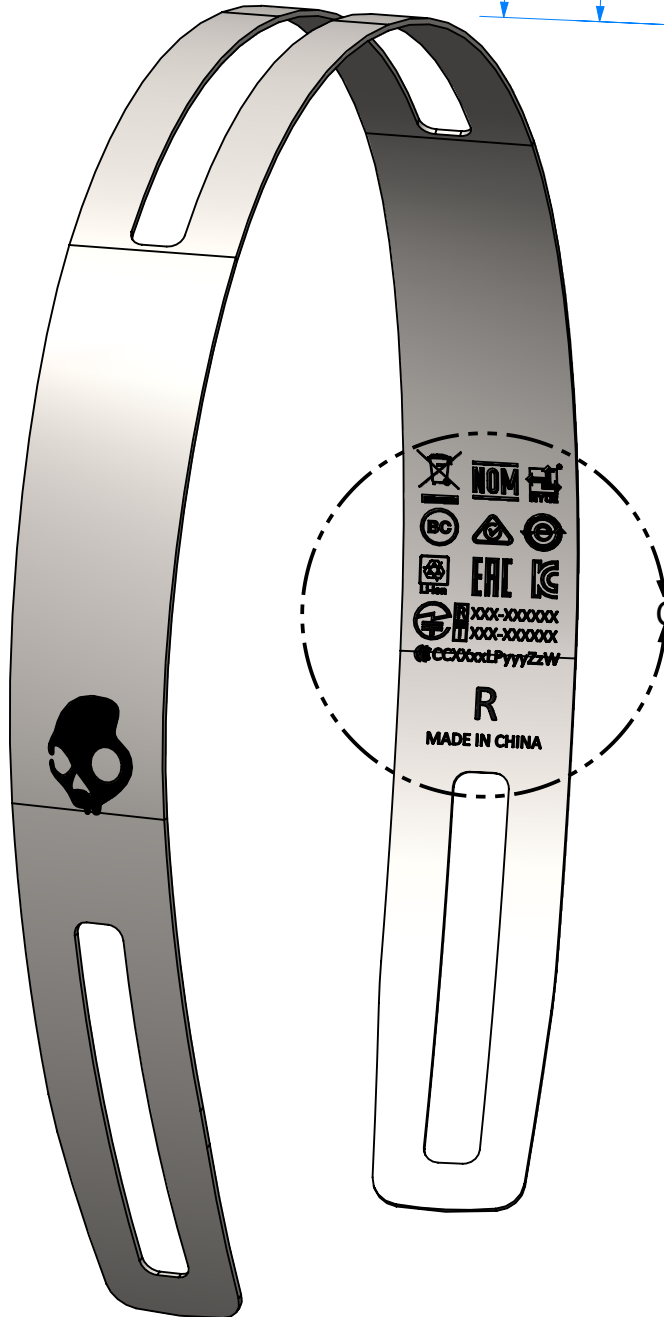
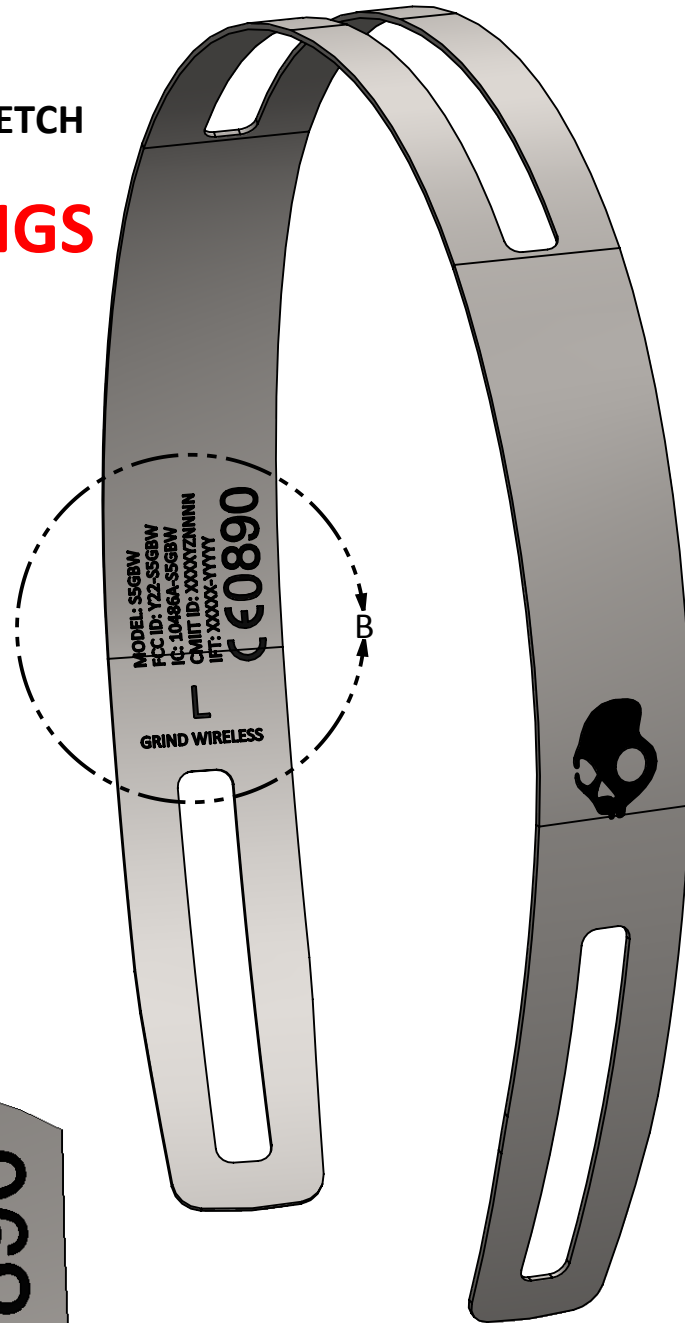
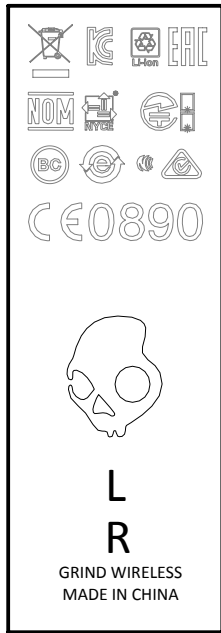


ARTWORK

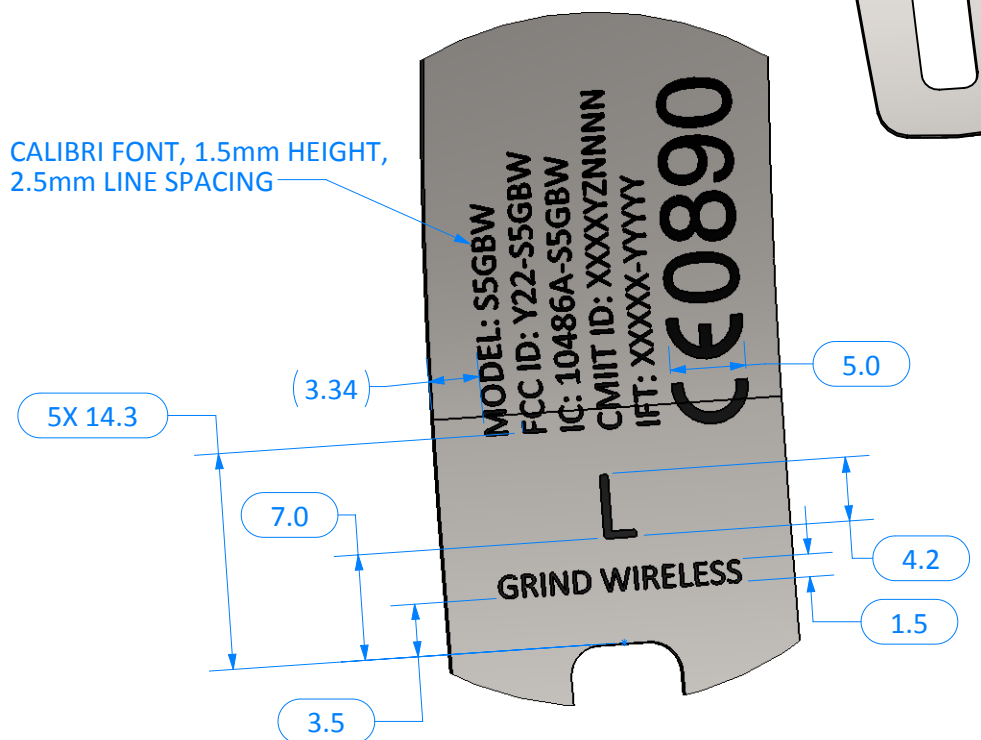
TO BE APPLIED BY PAD PRINT OR LASER ETCH
PER ASSOCIATED BOM.

**GLOBAL/TIER 3 MARKINGS
ONLY**

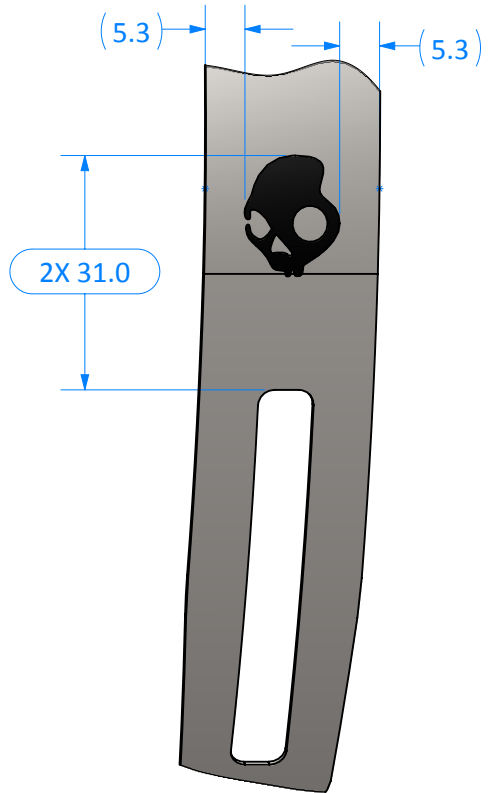
ALL ARTWORK BELOW
PROVIDED AT 1:1 SCALE



CALIBRI FONT, 1.5mm HEIGHT,
2.5mm LINE SPACING



DETAIL B
SCALE 2 : 1

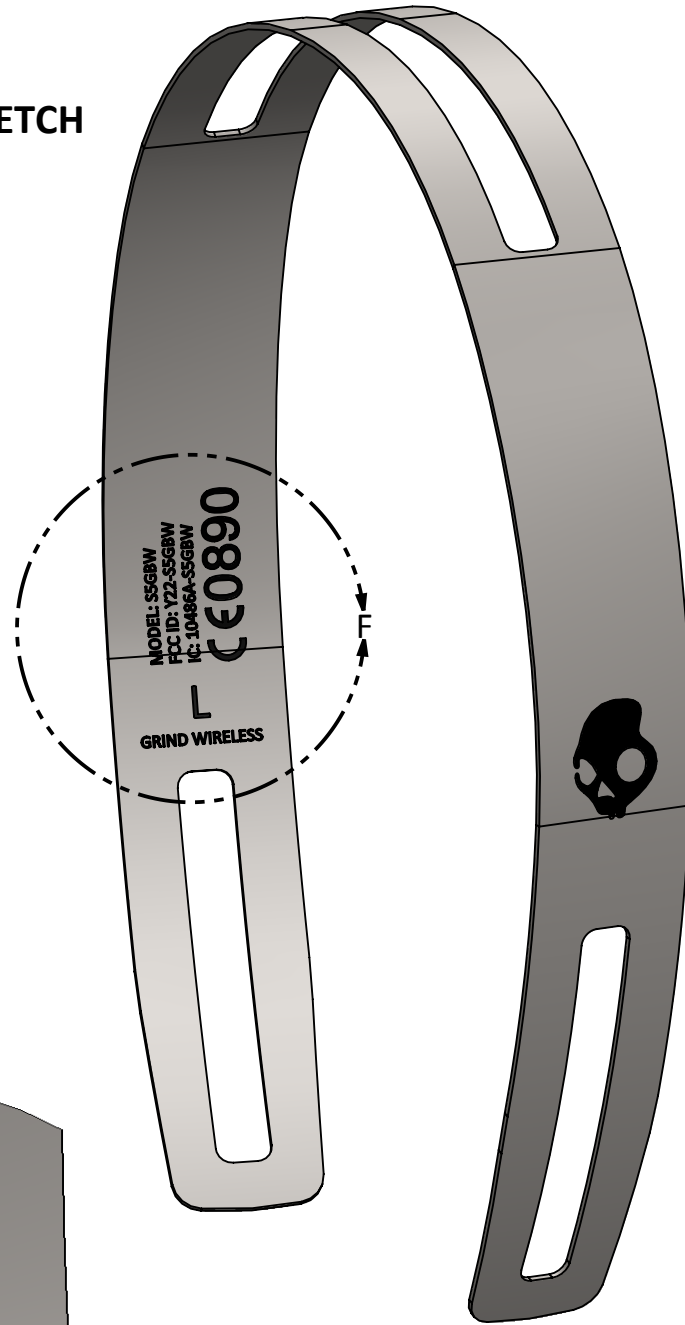


TITLE:		
HEADBAND, STEEL		
SIZE	DWG. NO.	REV
B	16H01-300	C
SCALE: 1:1		SHEET 4 OF 6

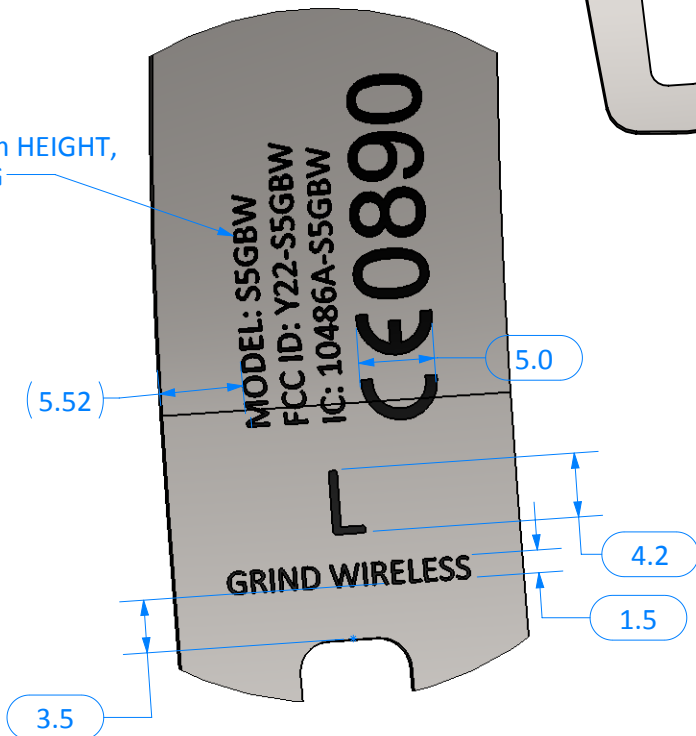
ARTWORK

**TO BE APPLIED BY PAD PRINT OR LASER ETCH
PER ASSOCIATED BOM.**

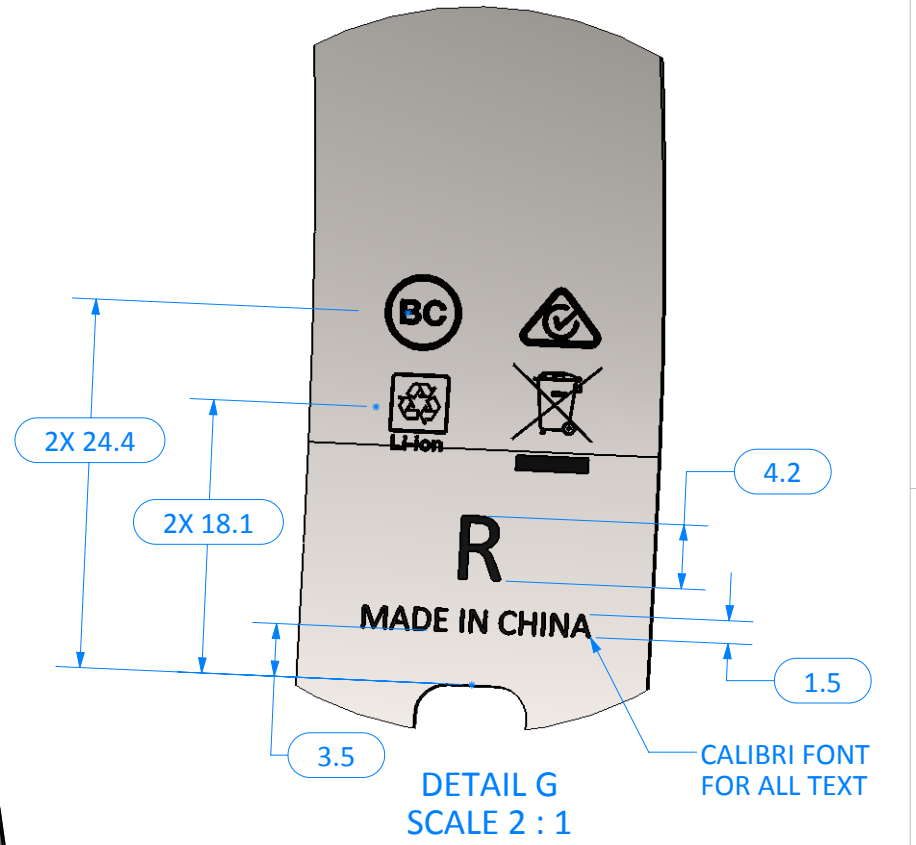
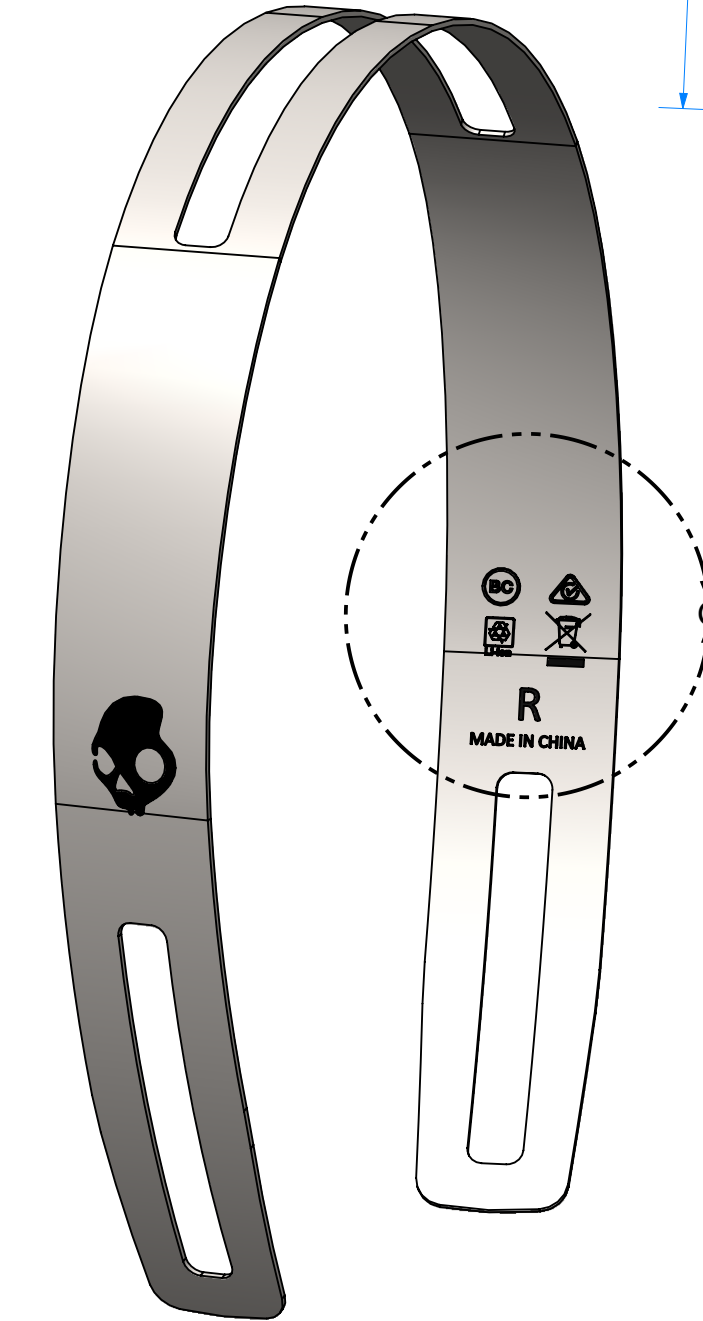
**TIER 1 MARKINGS
ONLY**



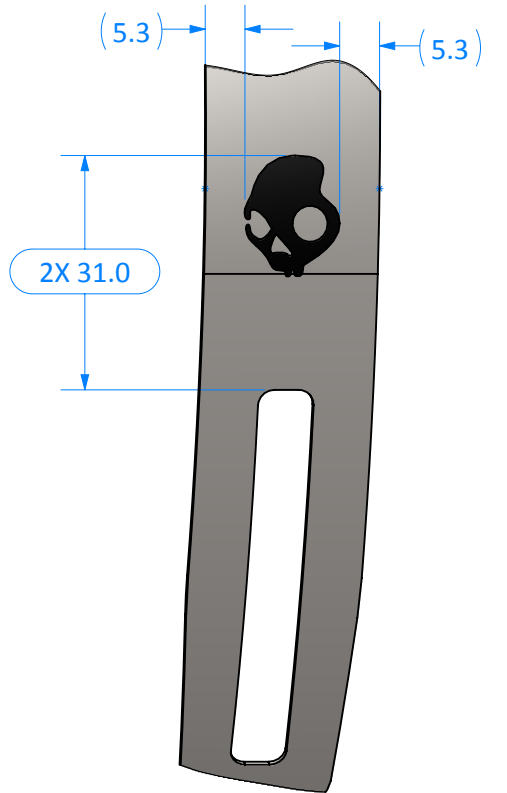
CALIBRI FONT, 1.5mm HEIGHT,
2.5mm LINE SPACING



DETAIL F
SCALE 2 : 1



DETAIL G
SCALE 2 : 1

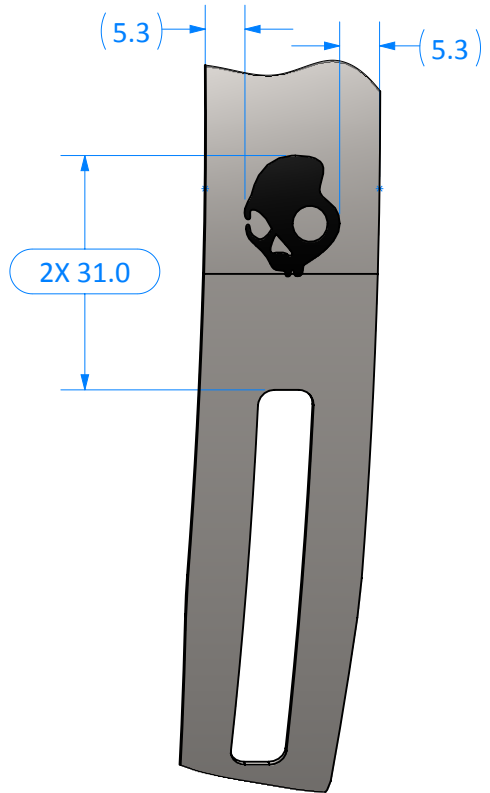
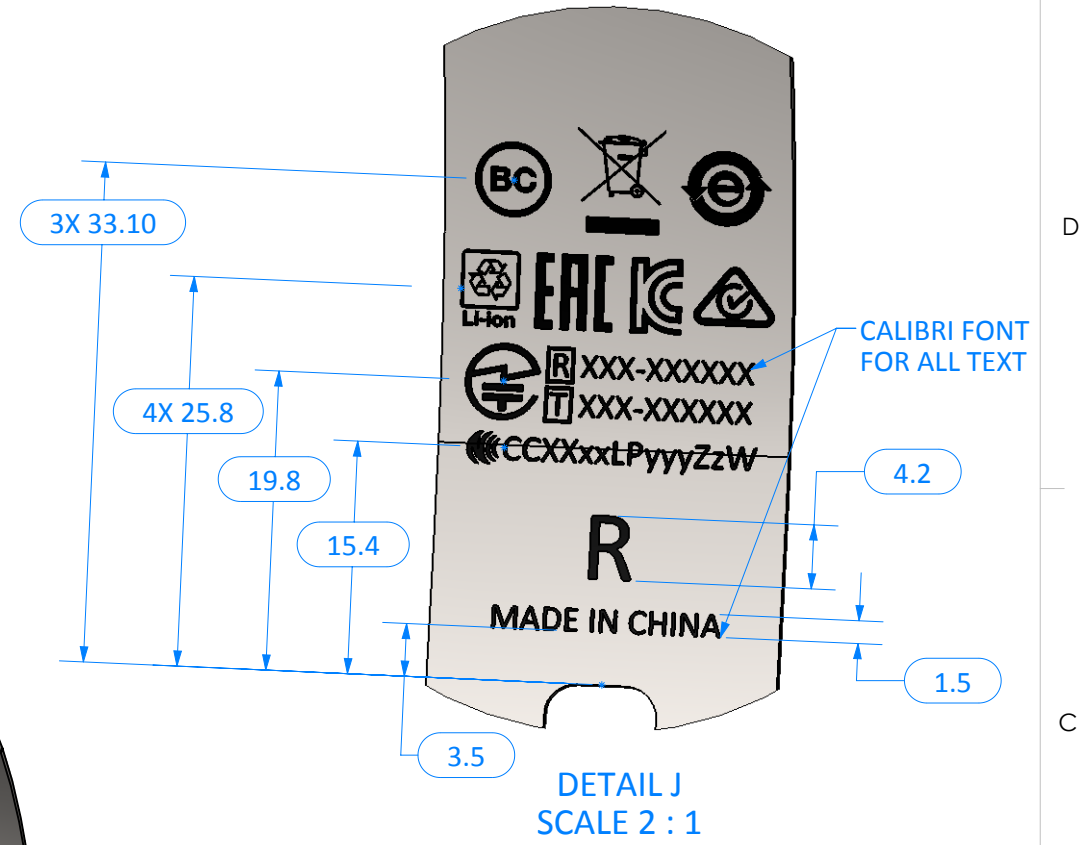
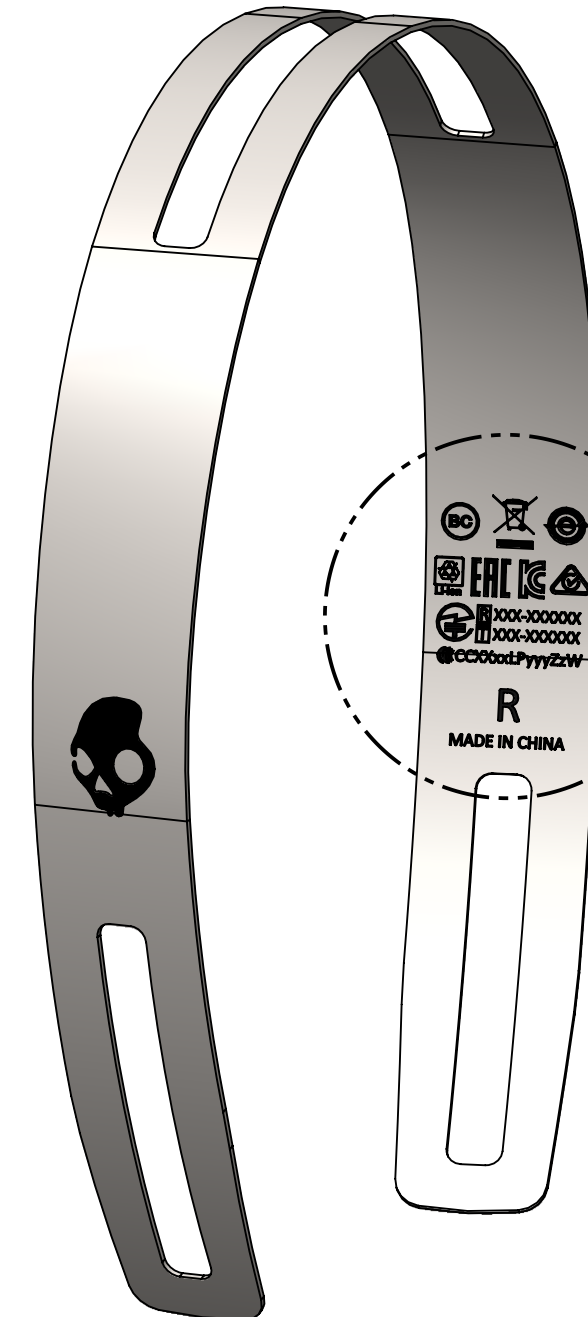
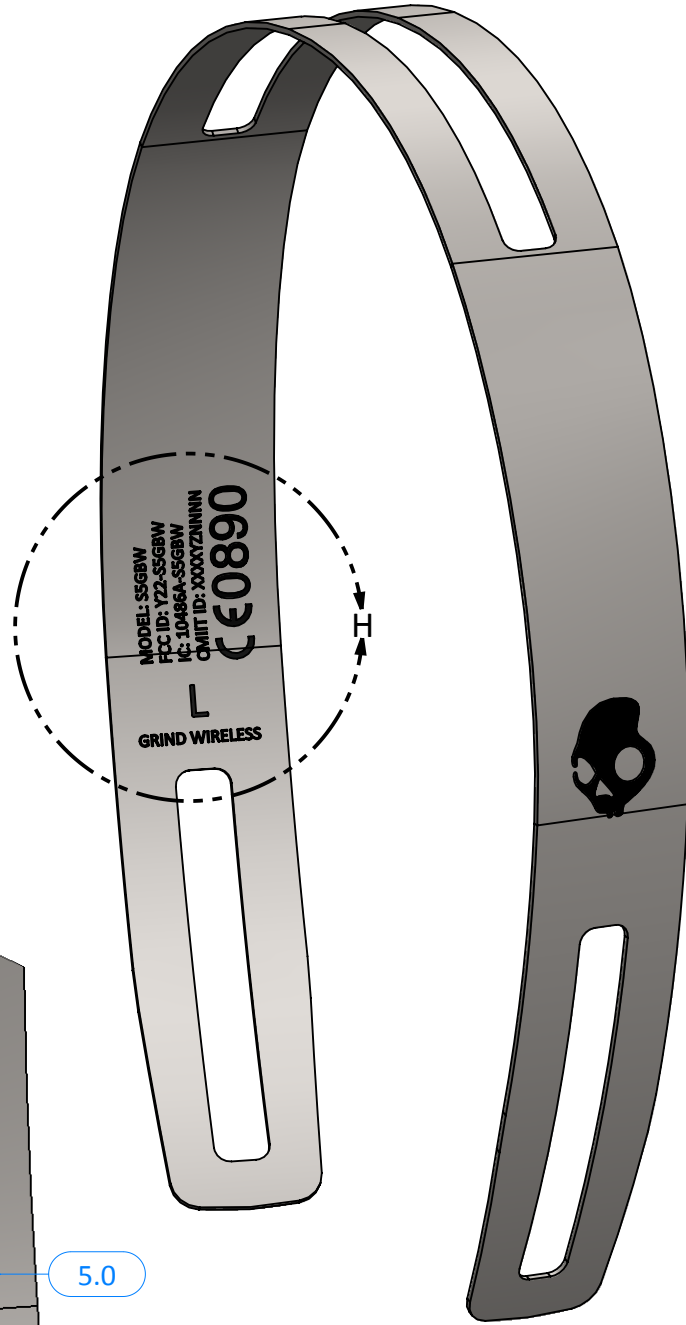


TITLE:		
HEADBAND, STEEL		
SIZE	DWG. NO.	REV
B	16H01-300	C
SCALE: 1:1		SHEET 5 OF 6

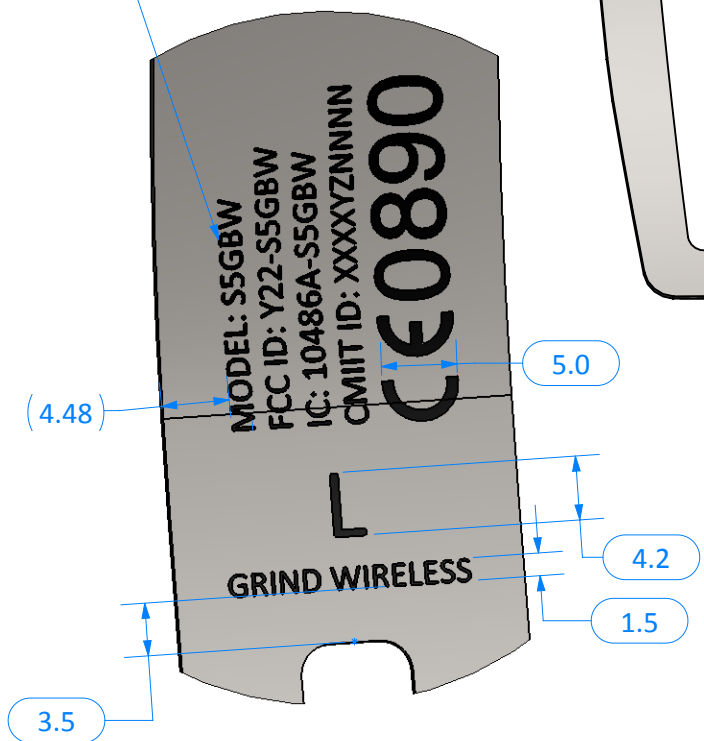
ARTWORK


**TO BE APPLIED BY PAD PRINT OR LASER ETCH
PER ASSOCIATED BOM.**

**TIER 2 MARKINGS
ONLY**



CALIBRI FONT, 1.5mm HEIGHT,
2.5mm LINE SPACING



TITLE:		
HEADBAND, STEEL		
SIZE	DWG. NO.	REV
B	16H01-300	C
SCALE: 1:1		SHEET 6 OF 6