

# 产 品 说 明 书

## Product Instruction Manual

产品名称: LED 筒灯

**Product Name:** LED DOWNLIGHT

型号编码: 531663XX(XX=00~99)

**Model No.:** 531663XX(XX=00~99)

生产商: 广东德豪润达电气股份有限公司

Manufacturer: Elec-tech International.,Co.Ltd

地 址: 广东省珠海市唐家湾镇金凤路 1 号

Address: Guangdong Province Zhihai City, Tanjiawan, No.1 Jinfeng Rd

电 话 Tel: 0756-3390990

传 真 Fax: 0756-3390778

网 址 Web: [www.electech.com.cn](http://www.electech.com.cn)

# 目 录

1. 产品简介 Product Introduction-----	3
1.1. 产品描述: Product Description -----	3
1.2. 产品示意图-----	3
2. 产品特性-----	3
2.1. 产品特点 Product characteristic -----	3
2.2. 技术参数 Specification-----	4
3. 使用方法 Method of application-----	5
3.1. 安装说明 Installation instruction-----	5
3.2. 安装示意图 Installation schematic diagram-----	6
3.3. 维护说明 Maintenance Instruction-----	7
4. 环境要求 Environmental requirement-----	7
5. 产品执行标准 Product carried standard-----	7
6. 包装说明 Package instruction-----	7
6.1. 包装清单 Package list -----	7

## 1. 警告语 WARNING

**WARNING - Risk of fire or electric shock. LED Retrofit Kit installation requires knowledge of luminaires electrical systems. If not qualified, do not attempt installation. Contact a qualified electrician.**

**WARNING - Risk of fire or electric shock. Install this kit only in luminaires that have the construction features and dimensions shown in the photographs and/or drawings and where the input rating of the retrofit kit does not exceed the input rating of the luminaire.**

**Do not make or alter any open holes in an enclosure of wiring or electrical components during kit installation.**

**WARNING - To prevent wiring damage or abrasion, do not expose wiring to edges of sheet metal or other sharp objects.**

**FCC Compliance Statement:** This device complies with Part 15 of the FCC rules. Operation is subjected to the following two conditions: (1) this device may not cause harmful interference, and (2) this device must accept any interference received, including interference that may cause undesired operation.

Changes or modifications not expressly approved by the party responsible for compliance could void your authority to operate the equipment.

**IC Compliance Statement:** This device complies with Industry Canada's licence-exempt RSSs. Operation is subject to the following two conditions: (1) this device may not cause interference, and (2) this device must accept any interference, including interference that may cause undesired operation of the device.

Cet appareil est conforme aux CNR exemptes de licence d'Industrie Canada . Son fonctionnement est soumis aux deux conditions suivantes :

( 1 ) Ce dispositif ne peut causer d'interférences ; et

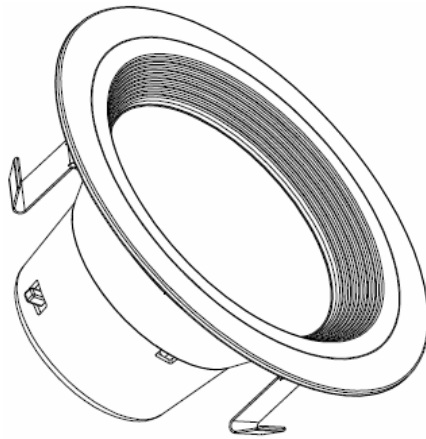
( 2 ) Ce dispositif doit accepter toute interférence , y compris les interférences qui peuvent causer un mauvais fonctionnement de l'appareil.

## 2. 产品简介 Product Introduction

### 2.1. 产品描述: Product Description :

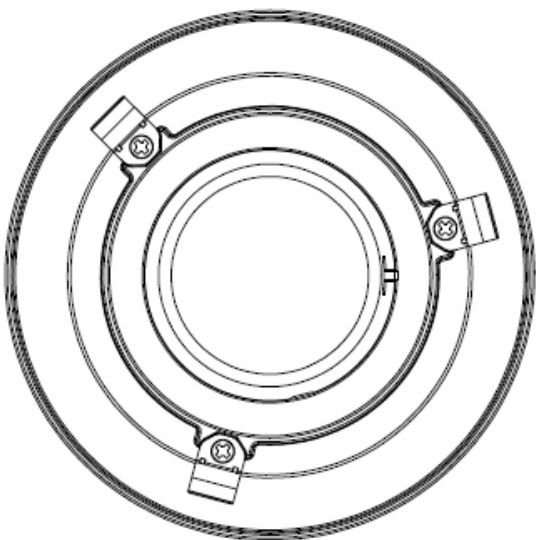
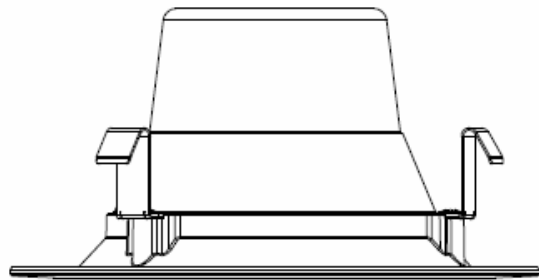
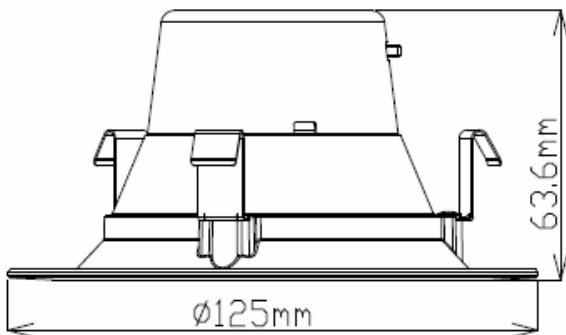
(配实物图 with physical map)

1. 外形尺寸:  $\varnothing 125 \times 63.6 \text{mm}$ .  
Dimension:  $\varnothing 125 \times 63.6 \text{mm}$ .
2. 外壳为 AL+PC  
Housing AL+PC
3. 调光调色
4. 高显指 LED 灯珠.



### 2.2. 产品示意图:

#### Product schematic diagram:



### 3. 产品特性 Product features

#### 3.1. 产品特点 Product characteristic :

- a. 长寿命 5 万小时以上;  
Long lifetime (above 30,000hrs)
- b. 高效节能环保;  
High efficiency, energy saving, environmental friendly
- c. 耐冲击,抗震能力强,无紫外线和红外线辐射 ;  
Impact resistant, shock resistant, no UV and IR radiation
- d. 绿色环保, 无有害气体排放, 使用热量低, 安全可靠。  
Green Initiative, no harmful gas is emitted, low heat is generated while used, safe and reliable .
- e. 光色纯正, 使用过程中无频闪, 提供更好的视觉感受, 保护人眼视力。  
Authentic and pure light color, no flicker, protecting your eyes while providing better visual enjoyment.

#### 2.2 技术参数 Specification

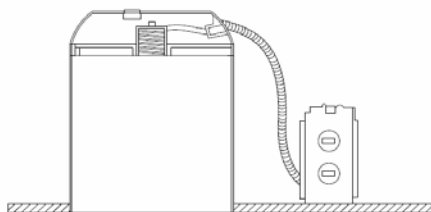
项目 /单位		
<b>电气参数 Electronic ratings</b>		
整灯功率 /W	Rated Power/W	10W
输入电压 /V	Rated Input voltage/V	AC 120V
工作频率/Hz	Frequency/Hz	60Hz
电源效率/%	Rated Power efficiency	>85%
功率因数 (PF)	Rated Power Factor	>0.9
调光方式	Dimming method	
<b>光源参数 Photometric ratings</b>		
LED 类型/数量	LED Type/Quantity	3030/22pcs
整灯光通量 /Lm	Lumen	625lm
色温/K	Temperature/K	2700K-3000K-4000K
显色指数/Ra	CRI90	
<b>物理参数 Physical information</b>		
材质	Material	AL、PC
工作温度	operating temperature	-25℃~45℃
储存温度	storage temperature	-40~60℃。
防护等级	IP rating	IP20
灯具规格(L×W×H)/mm		Ø125mm*63.6mm
Luminaire dimension(L×W×H)/mm		
设计寿命 /hrs	Lifetime/hrs	50000h

### 3 使用方法 Method of application

#### 3.1 安装扭簧支架示意图

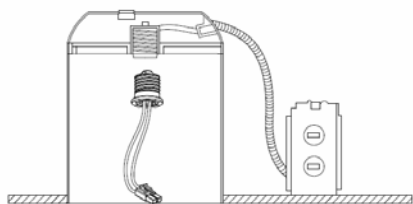
A 切断电源，检查安装筒尺寸。

A: Turn off the power supply. Check the dimension of recessed can and the lamp holder type to see whether the retrofit kit can fit the luminaire.



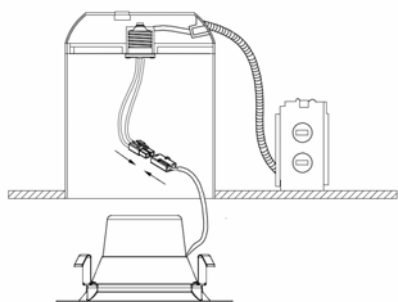
B: 将 E26 灯头旋进并旋紧

B: Screw clockwise the E26 adaptor into the lamp holder. Tighten.



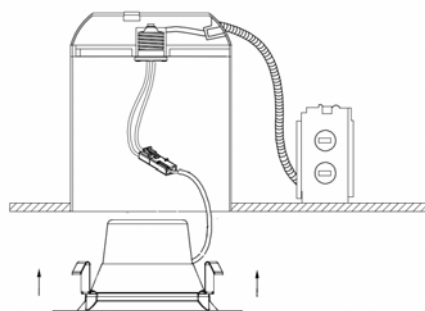
C: 连接好连接器。

C: Connect the male to the female connector.



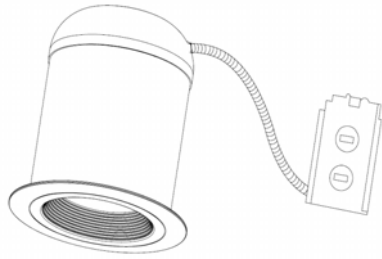
E: 将筒灯对准安装筒，向上方向推进安装筒并卡紧。

D: slide the luminaire up into the can firmly.



F:导通电源

E: Make sure the trim ring is flush with ceiling. Turn on the light to check the luminaire working status.



Control the light with APP.

1. Download the APP from your smart device
2. Open the bluetooth on your smart device then open the APP
3. The APP will search the downlight within its range, then connect the smart device to the downlight
4. Slide the CCT bar or the brightness bar to change the color temp or brightness.

### 3.2 维护说明 Maintenance Instruction

- \*为延长使用寿命请勿使用酒精等挥发性溶剂擦拭灯体；
- \*Do Not use volatile solvent such as alcohol to clean the troffer.
- \*清洁时可以使用柔棉布沾肥皂水拧干后擦拭灯体；
- \*Use soft cotton cloth with suds to clean the troffer .
- \*非专业人士请勿拆修灯具；
- \*Non-professional do Not attempt to take apart and repair the troffer .
- \*不可拆卸软缆或软线，如果损坏须请专业人士或制造厂商更换。
- \*No disassemble the soft cord, if broken, please invite professional personnel or ask the manufacturer to change

## 4 环境要求 Environmental requirement

使用环境温度 Operating temperature:  $-25\sim 45^{\circ}\text{C}$  ;  
存贮环境温度 Storage temperature:  $-40\sim 60^{\circ}\text{C}$  。

## 5 产品执行标准 Product carried standard

UL1598-2008  
UL8750

## 6 包装说明 Package instruction

### 6.1 包装清单 Package list :

物品名称 Item	数量 Quantity
筒灯 Ceiling light	1
说明书 Manual	1