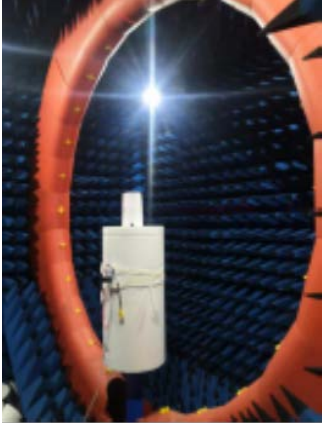
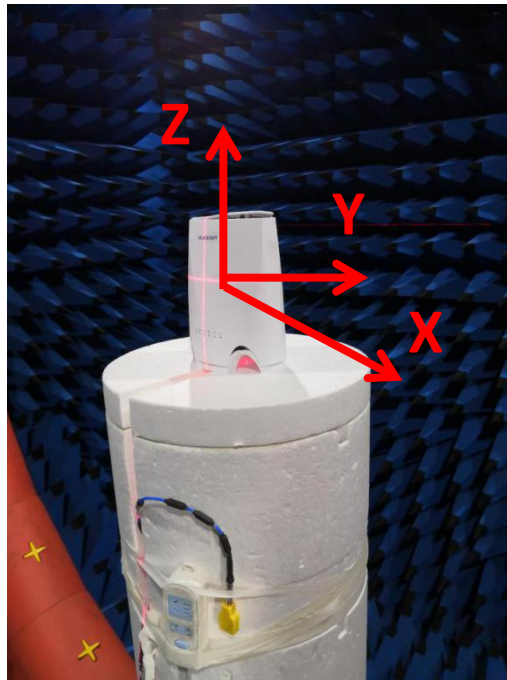


1.1.2 Anechoic Chamber Test Setup

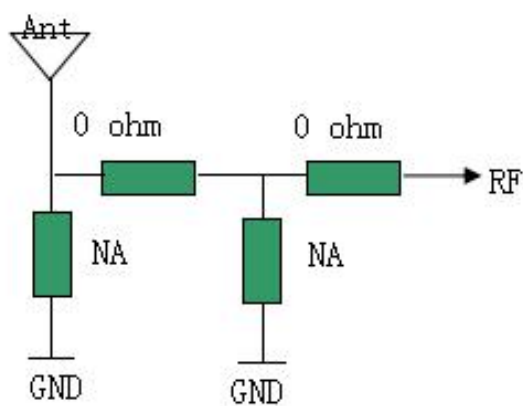


1.2 UE configuration

1.2.1 Antenna location pictures

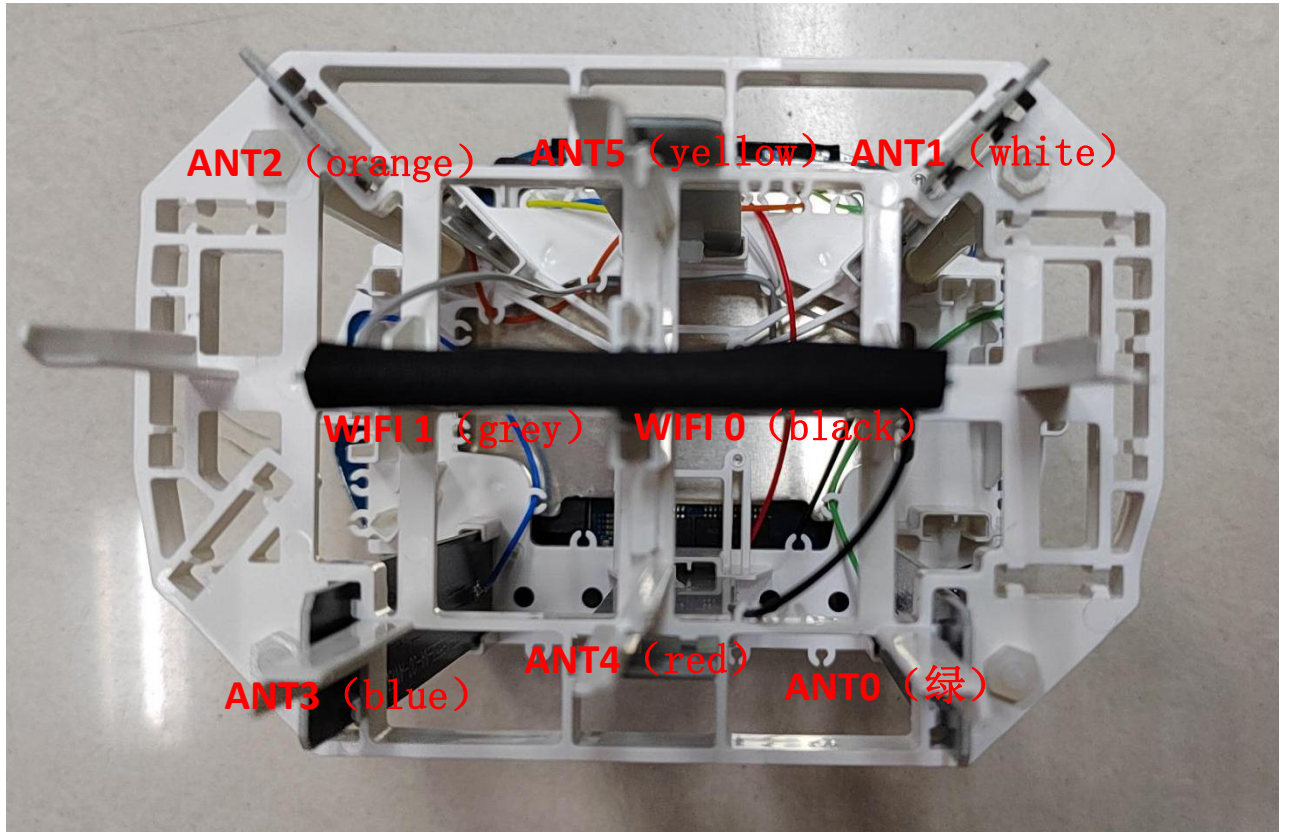


1.2.2 RF matching for different antennas



1.2.3

Physical figure



ANT0	617~960MHz	1710~2690MHz	/
ANT2	617~960MHz	1710~2690MHz	/
ANT4	3300~4200MHz	/	/
ANT1	1930~2690MHz	3300~4200MHz	5150~5925MHz
ANT3	1710~2690MHz	3300~4200MHz	5150~5925MHz
ANT5	3300~4200MHz	/	/
WIFI 0/1	2400~2500MHz	5150~5850MHz	/