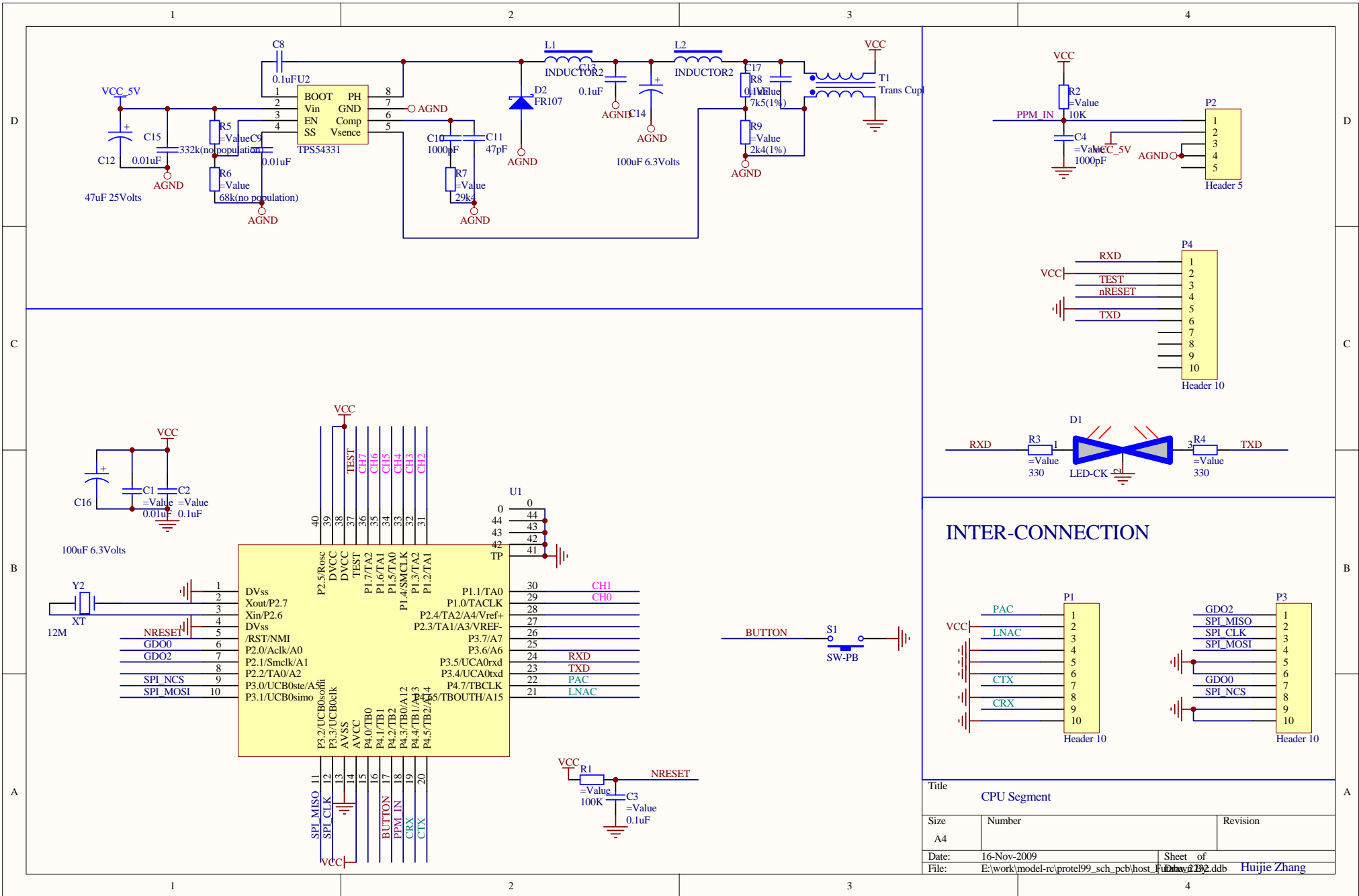
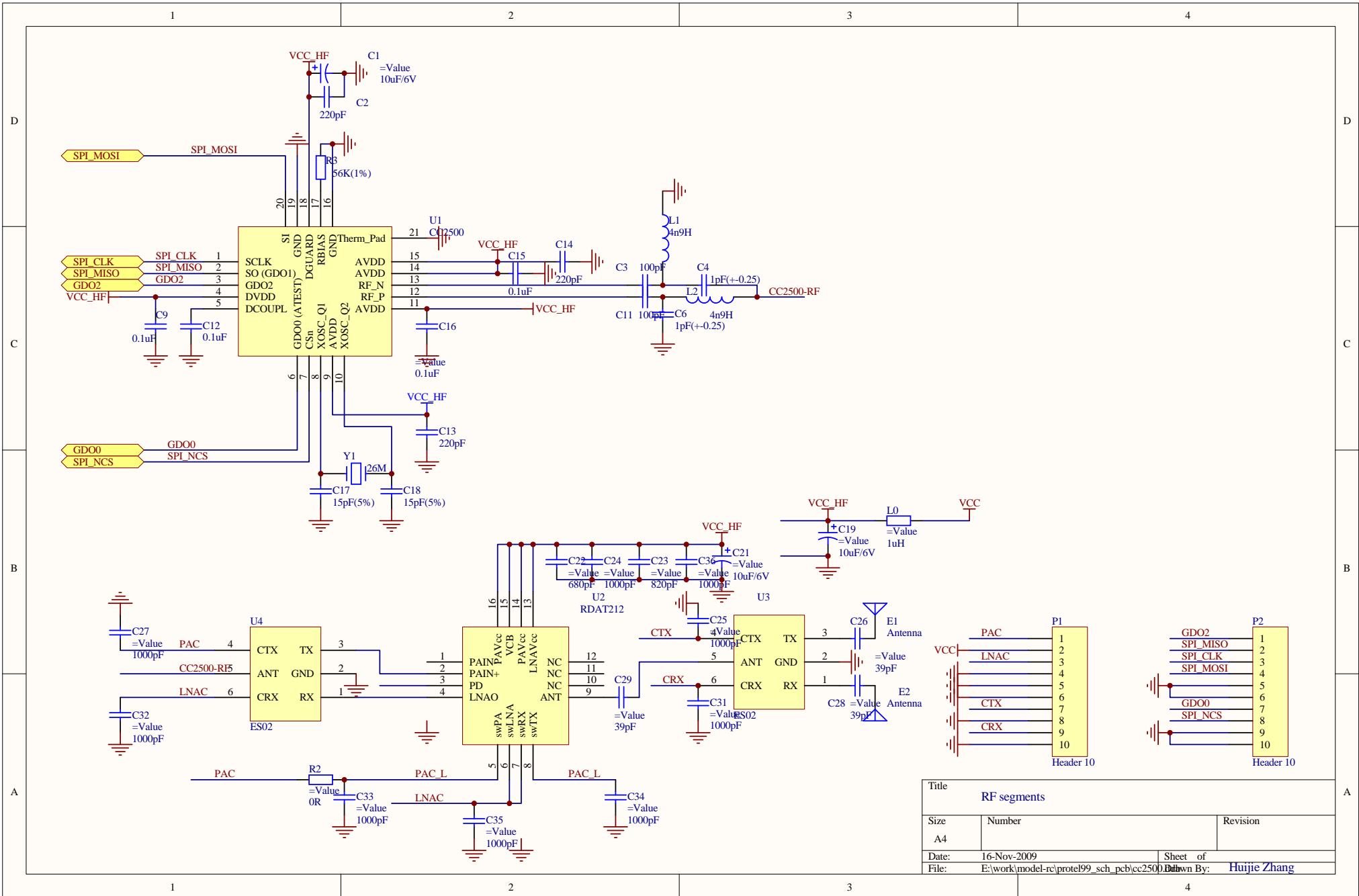


CPU Segment



Title		
CPU Segment		
Size	Number	Revision
A4		
Date:	16-Nov-2009	Sheet of
File:	E:\work\model-rc\protel99_sch_pcb\host_Full\cpu.ddb	Huijie Zhang

RF segments



Title		
RF segments		
Size	Number	Revision
A4		
Date:	16-Nov-2009	Sheet of
File:	E:\work\model-rc\protel99_sch_pcb\cc2500.D	Drawn By: Huijie Zhang