



# Angeei

**Innovation**

**Expert**

**Smart**

## DATA SHEET

**P/N: KG622-01**

NO.28,Jinxing Rd,  
Jinfeng Town,Zhangjiagang City,Jiangsu,China  
Tel:+86-512-56990960  
Fax:+86-512-56990970  
Email: Sales@Angeei.com

## Contents

1. Product Description .....	1
2. Features .....	1
3. Overall Performance .....	2
4. Product Characteristics .....	3
4.1 Return Loss .....	3
4.2 Radiation Pattern .....	4
5. Product Drawing .....	5
6. RoHS 2.0 .....	5

Angeeei

## Version Information

Version	Date	Author	Note
A0	November 8, 2023	Shirley	Initial Draft

## 1. Product Description

Model KG622-01 product is designed with patented technology. KG622-01 is a single band antenna which has features of easy integration, can be directly connected to the product. The connector can be customized according to customer's request. This antenna was designed to accommodate most WLAN applications, such as access points, routers, and gateways.

## 2. Features

The Model KG622-01 Antenna is defined by following features:

- IEEE 802.11 b/g/n/ax/be standards
- Ant1: 1.7dBi peak gain@2.45GHz, Ant2: 1.7dBi peak gain@2.45GHz
- High Efficiency
- Quick Integration



**Figure 1:** Model KG622-01 Antenna

### 3. Overall Performance

CHARACTERISTICS	SPEC
Standard	IEEE 802.11 b/g/n/ax/be
Frequency Range	2.4-2.49GHz
Peak Gain	Ant1: 1.7dBi@2.45GHz Ant2: 1.7dBi@2.45GHz
VSWR	<2
Efficiency	Ant1: 84%@2.45GHz Ant2: 84%@2.45GHz
Power Handling	30 dBm
Feed Impedance	50 ohms
Antenna Dimensions	61.24 × 128.65 × 15.7mm
Interface	U.FL compatible connector
Operating Temperature	-30 ° C to +75 ° C
Humidity Range	5% to 95% non-condensing
RF Cable	RF1.13*2

## 4. Product Characteristics

Measuring the Return Loss & radiation pattern of KG622-01 in a non-interference environment.

### 4.1 Return Loss

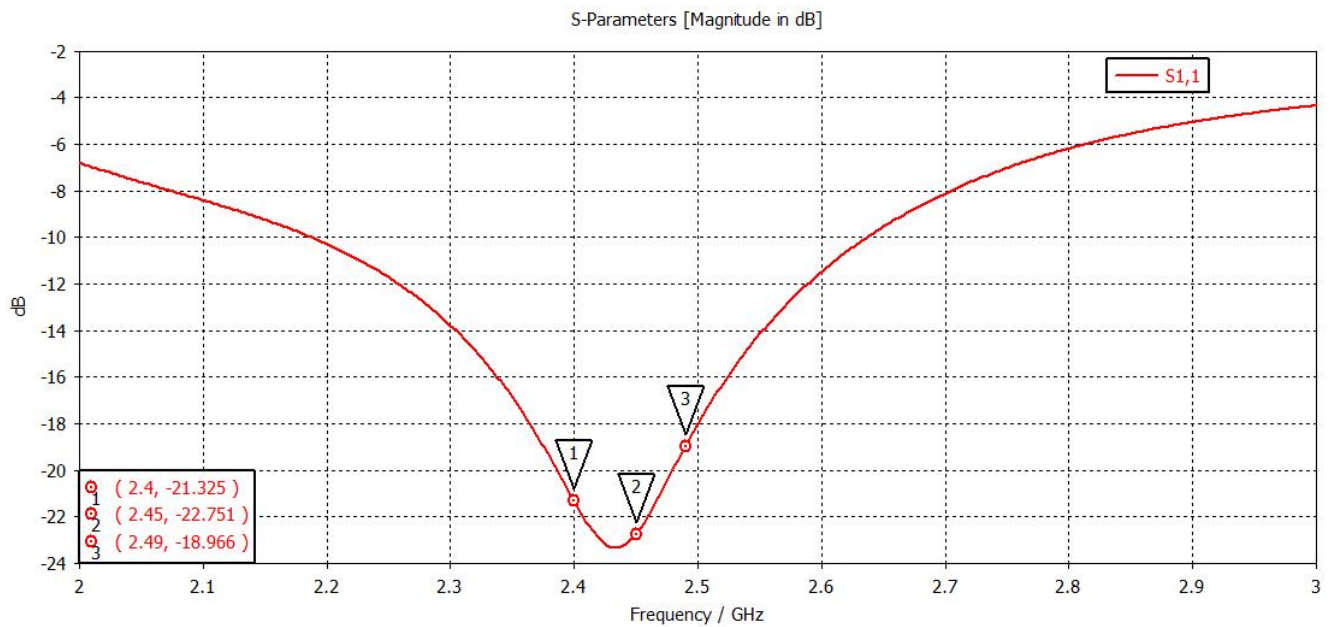


Figure 2: Model KG622-01 Return Loss for Ant1

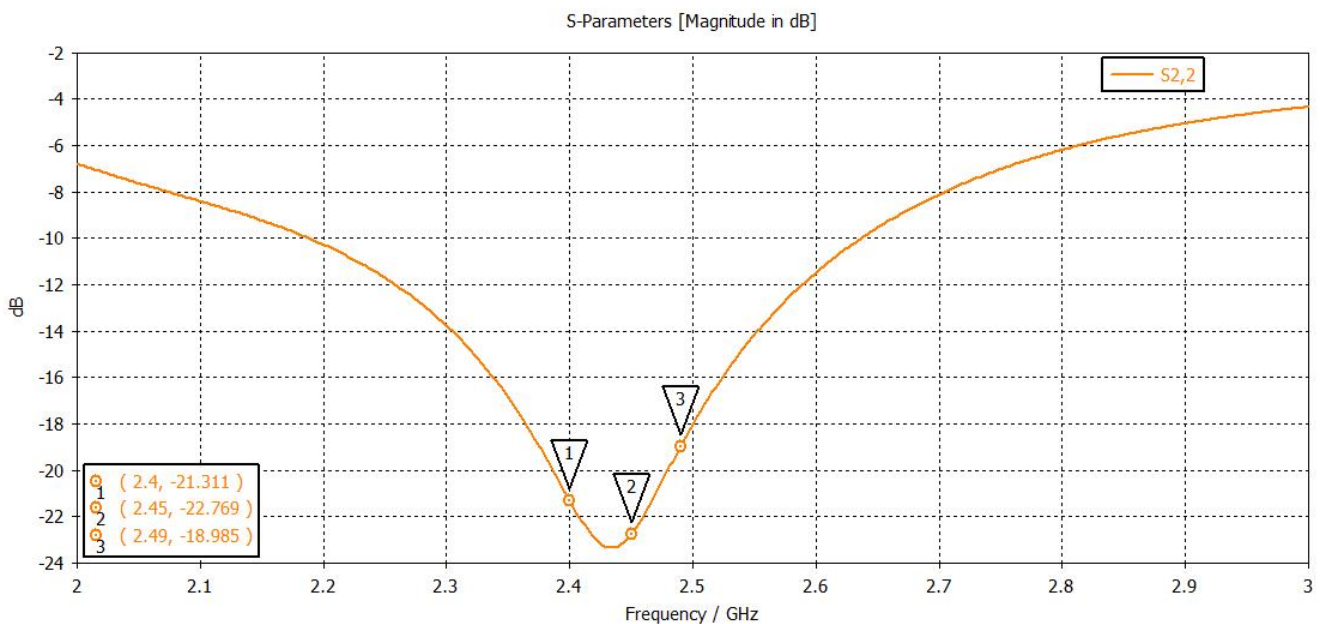


Figure 3: Model KG622-01 Return Loss for Ant2



### 4.2 Radiation Pattern

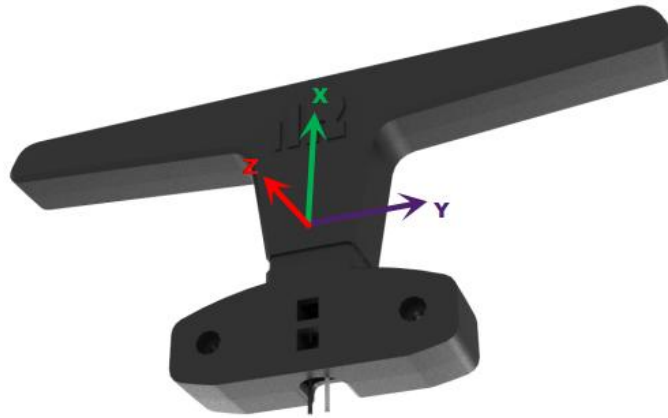


Figure 4: Model KG622-01 Measurement Axes

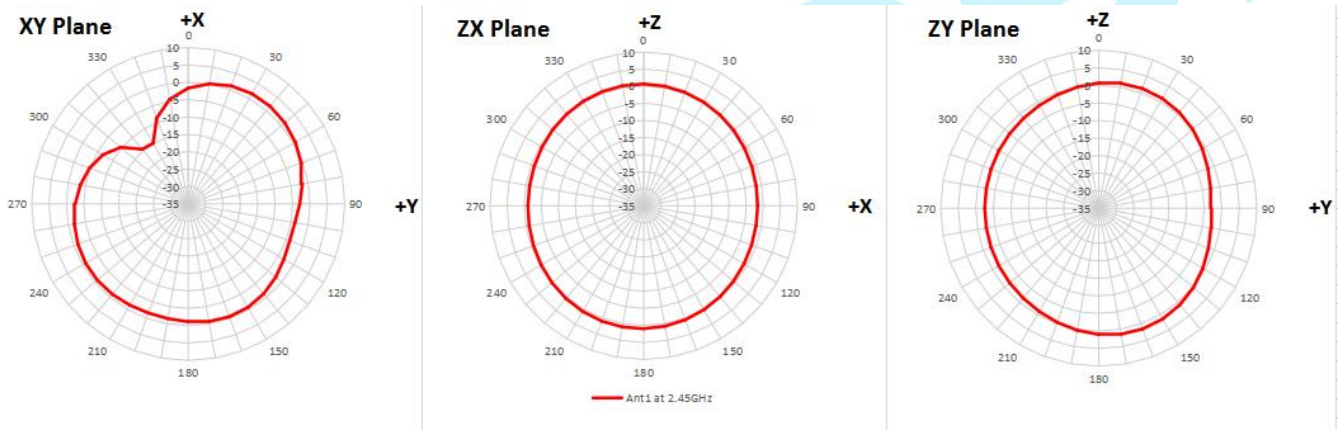


Figure 5: Model KG622-01 Radiation Patterns for Ant1

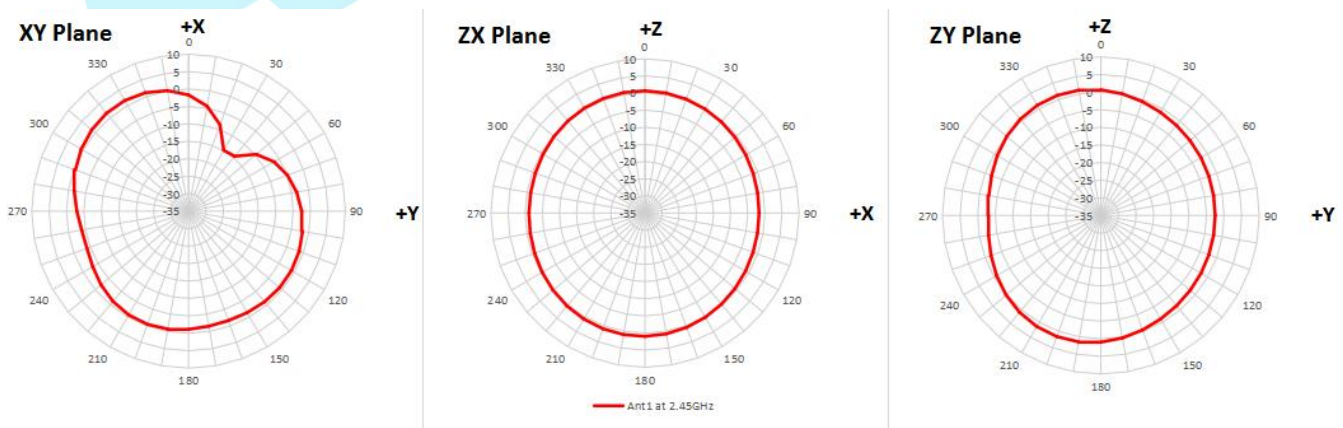


Figure 6: Model KG622-01 Radiation Patterns for Ant2

## 5. Product Drawing

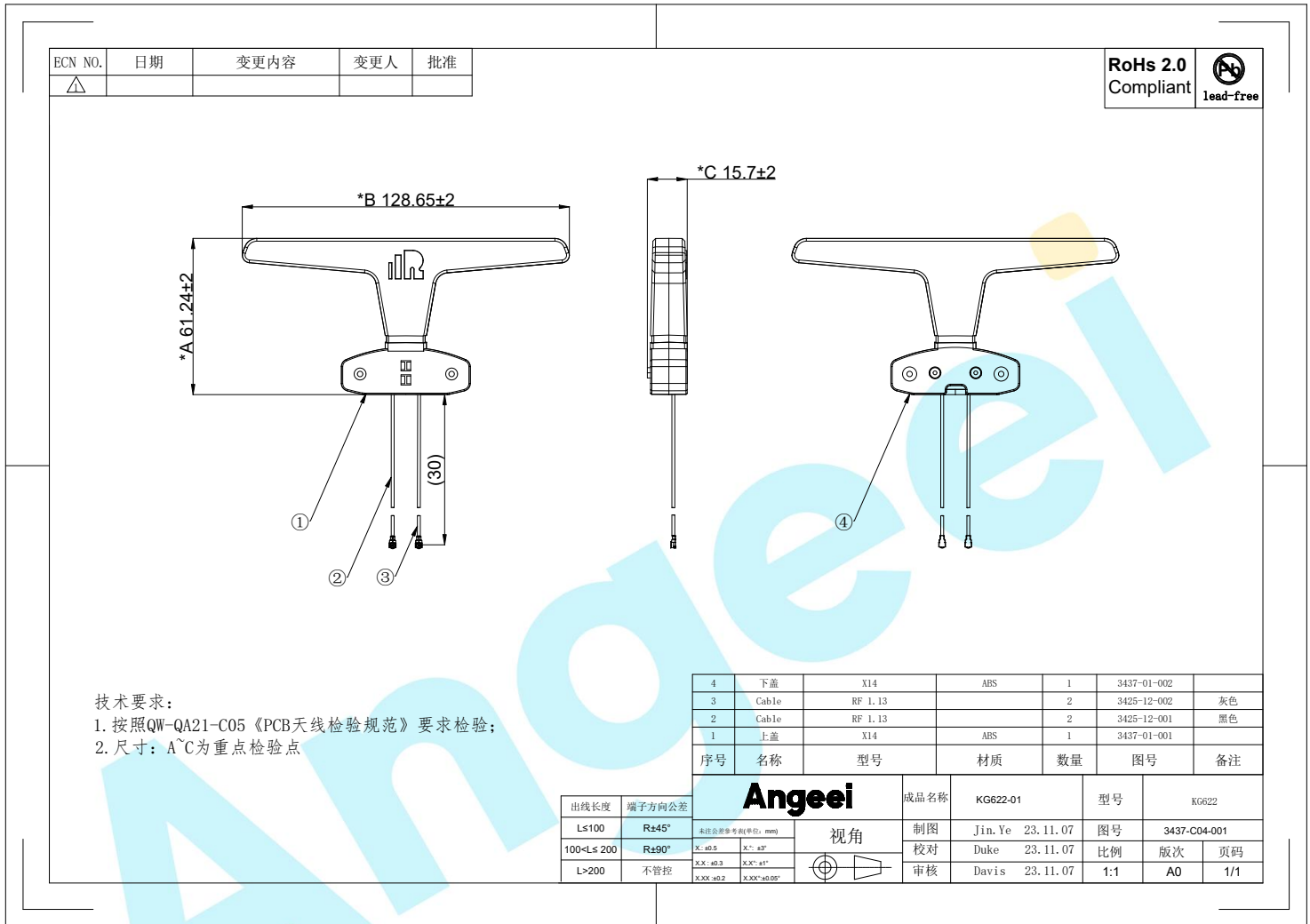


Figure 5: Model KG622-01 Dimensions

## 6. RoHS 2.0

Model KG622-01 antenna is RoHS 2.0 compliant.

**Note:**

The content of this technical document is subject to change without notice. Please contact Angeei for further information.

Information in this document is provided in connection with Angeei products. No license, express or implied, to any intellectual property rights is granted by this document. Except as provided in Angeei's Terms and Conditions of Sale for such products, Angeei assumes no liability whatsoever, and Angeei disclaims any express or implied warranty, relating to sale and/or use of Angeei products including liability or warranties relating to fitness for a particular purpose, merchantability, or infringement of any patent, copyright or other intellectual property right. Angeei may make changes to specifications and product descriptions at any time, without notice. For the most current product information, please visit: [www.Angeei.com](http://www.Angeei.com).

Copyright ©Angeei . All rights reserved.

Angeei and the Angeei logo are trademarks of Jiangsu Angeei Electronics co., Ltd.

**ADD:**NO.28,Jinxing Rd,  
Jinfeng Town,Zhangjiagang City,Jiangsu,China  
Tel:+86-512-56990960  
Fax:+86-512-56990970  
Email: Sales@Angeei.com