



Antenna Specification:

1 SCOPE

This specification shall cover the characteristics of the dielectric antenna element with the type A1573M753000L001

2 PART NO.

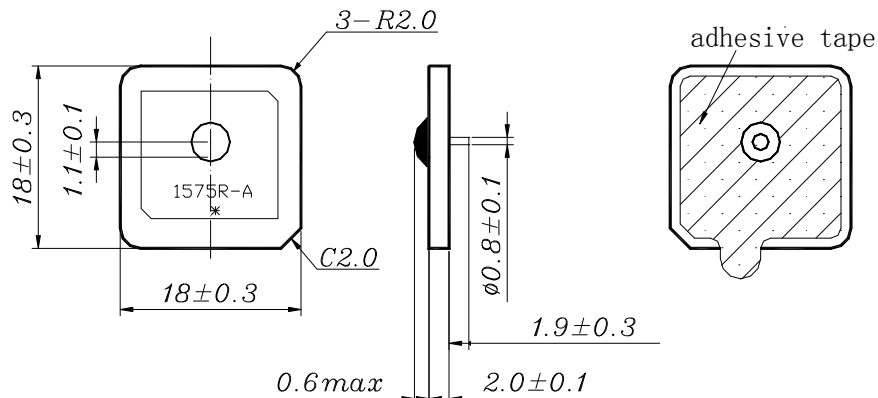
| PART NUMBER | CUSTOMER PART NO | SPECIFICATION NO |
|------------------|------------------|------------------|
| A1573M753000L001 | | |

3 OUTLINE DRAWING AND DIMENSIONS

3.1 Appearance: No visible damage and dirt.

3.2 The products conform to the RoHS directive and national environment protection law.

3.3 Dimensions



*: EIAJ Monthly Code

4 ELECTRICAL SPECIFICATIONS

4.1 Performance Characteristics

| Items | Content |
|--|---------------------|
| Nominal frequency MHz | 1575.42 ± 1.023 |
| *Center frequency (with tape on 20×20 mm ground plane) | 1568.5 ± 3.0 |
| Real Part Ω | 95 ± 15 |

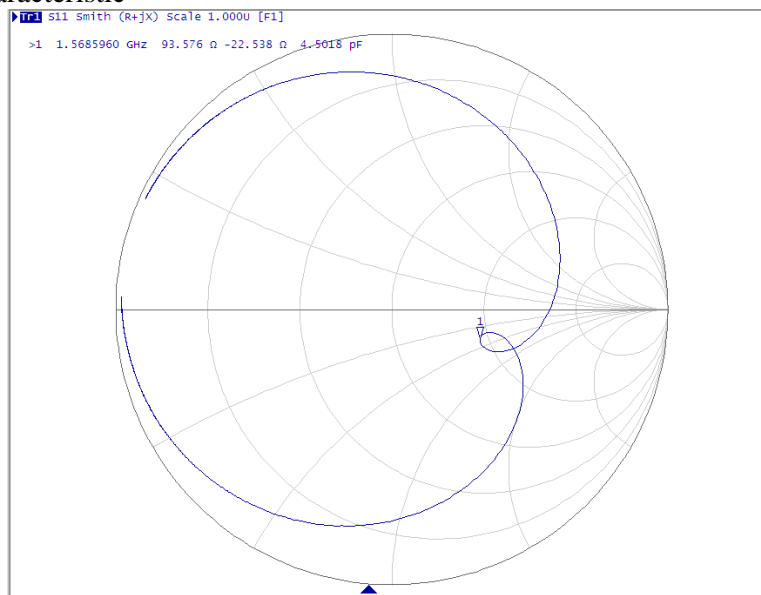


AEL Crystals Limited
 Unit 28, The IO Centre
 Salbrook Road
 Salfords
 Surrey
 RH1 5GJ - UK

Tel: +44 (0)1293 789200 (Main)
 Fax: +44 (0)1293 789490 (Main)

| | |
|-----------------------------------|-------------------|
| Imaginary Part Ω | -20 ± 15 |
| Polarization Model | RHCP |
| Frequency Temperature Coefficient | 20ppm/deg. °C max |

4.2 Impedance Characteristic



5 TEST

5.1 Test Conditions

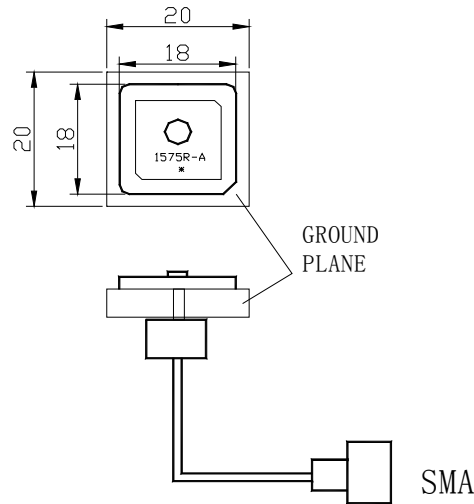
Parts shall be measured under a condition (Temp.: $20^{\circ}\text{C} \pm 15^{\circ}\text{C}$, Humidity : $65\% \pm 20\%$ R.H.).

5.2 Test fixture



AEL Crystals Limited
 Unit 28, The IO Centre
 Salbrook Road
 Salfords
 Surrey
 RH1 5GJ - UK

Tel: +44 (0)1293 789200 (Main)
 Fax: +44 (0)1293 789490 (Main)



6 ENVIRONMENTAL TEST

| No. | Item | Test Condition | Remark |
|-----|---------------------------|---|---|
| 6.1 | Humidity Test | The device is subjected to 90%~95% relative humidity $60^{\circ}\text{C} \pm 3^{\circ}\text{C}$ for 96h~98h, then dry out at $25^{\circ}\text{C} \pm 5^{\circ}\text{C}$ and less than 65% relative humidity for 2h~4h. After dry out the device shall satisfy the specification in table 1. | It shall fulfill the specifications in Table 1. |
| 6.2 | High Temperature Exposure | The device shall satisfy the specification in table 1 after leaving at 105°C for 96h~98h, provided it would be measured after 2h~4h leaving in $25^{\circ}\text{C} \pm 5^{\circ}\text{C}$ and less than 65% relative humidity. | It shall fulfill the specifications in Table 1. |
| 6.3 | Low Temperature | The device shall satisfy the specification in table 1 after leaving at -40°C for 96h~98h, provided it would be measured after 2h~4h leaving in $25^{\circ}\text{C} \pm 5^{\circ}\text{C}$ and less than 65% relative humidity. | It shall fulfill the specifications in Table 1. |
| 6.4 | Temperature Cycle | Subject the device to -40°C for 30 min. followed by a high temperature of 105°C for 30 min cycling shall be repeated 5 times. At the room temperature for 1h prior to the measurement. | It shall fulfill the specifications in Table 1. |



| | | | |
|-----|----------------------------|--|--|
| 6.5 | Vibration | Subject the device to vibration for 2h each in x, y and z axis with the amplitude of 1.5mm, the frequency shall be varied uniformly between the limits of 10Hz~55Hz. | It shall fulfill the specifications in Table 1. |
| 6.6 | Soldering Test | Lead terminals are heated up to $350^{\circ}\text{C} \pm 10^{\circ}\text{C}$ for $5\text{s} \pm 0.5\text{s}$ with brand iron and then element shall be measured after being placed in natural conditions for 1 h. No visible damage and it shall fulfill the specifications in Table 1 | It shall fulfill the specifications in Table 1. |
| 6.7 | Solder ability | Lead terminals are immersed in soldering bath of $260^{\circ}\text{C} \sim 290^{\circ}\text{C}$ for $3\text{s} \pm 0.5\text{s}$. More than 95% of the terminal surface of the device shall be covered with fresh solder. | The terminals shall be at least 95% covered by solder. |
| 6.8 | Terminal Pressure Strength | Force of 2kg is applied to each lead in axial direction for $10\text{s} \pm 1\text{s}$ (see drawing). No visible damage and it shall fulfill the specifications in Fig 1 | Mechanical damage such as breaks shall not occur. |

FIG 1

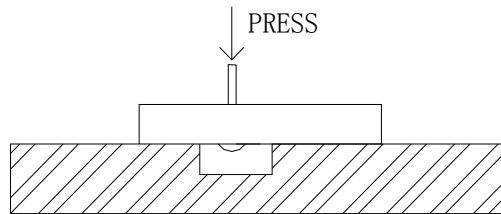


TABLE 1

| Item | Specification After Test (MHz) |
|-------------------------|--------------------------------|
| Center Frequency change | ± 2.0 |
| -10dB Bandwidth Change | ± 2.0 |

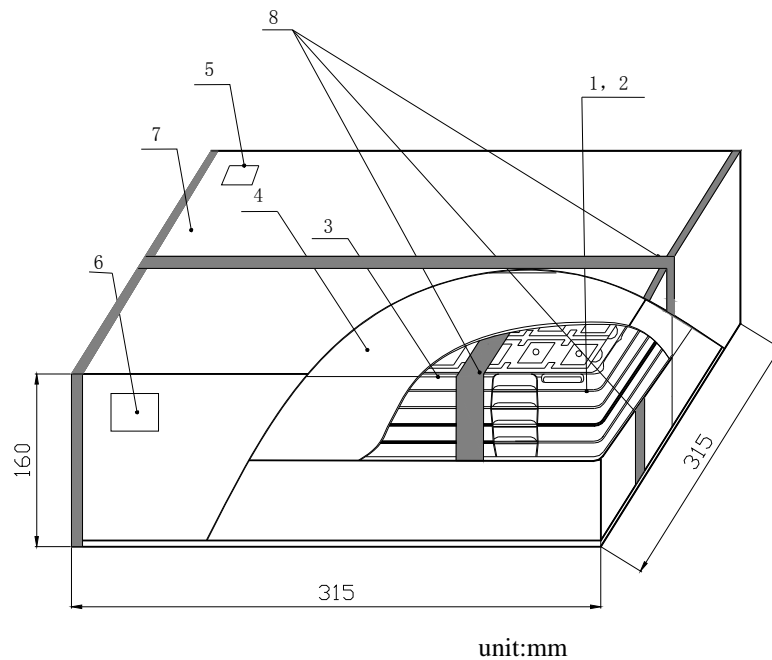


7. PACKAGE

To protect the products in storage and transportation, it is necessary to pack them (outer and inner package). On paper pack, the following requirements are requested.

7.1 Dimensions and Mark

At the end of package, the warning (moisture proof, upward put) should be stick to it. Dimensions and Mark (see below)



| NO. | Name | Quantity |
|-----|-------------------------|----------|
| 1 | Cushion | 20 |
| 2 | Package Base | 24 |
| 3 | Vacuum Bag | 4 |
| 4 | Inner Box | 4 |
| 5 | Label | 5 |
| 6 | Certificate of approval | 1 |
| 7 | Package | 1 |
| 8 | Adhesive tape | 3.5m |



AEL Crystals Limited
Unit 28, The IO Centre
Salbrook Road
Salfords
Surrey
RH1 5GJ - UK

Tel: +44 (0)1293 789200 (Main)
Fax: +44 (0)1293 789490 (Main)

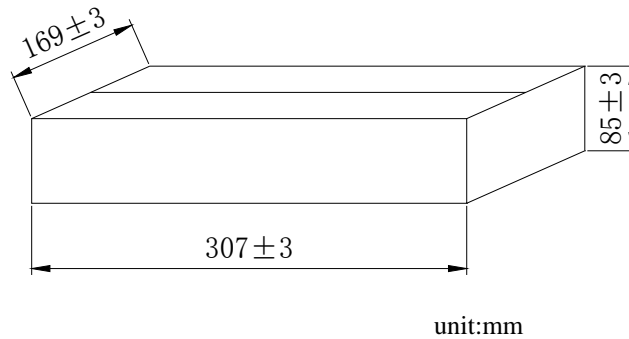
7.2 Section of package

Package is made of corrugated paper with thickness of 0.8cm. Package has 4 inner boxes, each box has 1 vacuum bag.

7.3 Quantity of package

| | |
|-----------------------------|-----------------|
| Per package base | 50 elements |
| Per vacuum bag | 5 package bases |
| Per inner box | 1 vacuum bag |
| Per package | 4 inner boxes |
| (1000 pieces of elements) | |

7.4 Inner box Dimensions





AEL Crystals Limited
 Unit 28, The IO Centre
 Salbrook Road
 Salfords
 Surrey
 RH1 5GJ - UK

Tel: +44 (0)1293 789200 (Main)
 Fax: +44 (0)1293 789490 (Main)

8. EIAJ Monthly Code

| 2007 / 2009/2011/2013/2015 | | 2006 / 2008 / 2010/2012/2014 | |
|----------------------------|------|------------------------------|------|
| MONTH | CODE | MONTH | CODE |
| JAN | A | JAN | N |
| FEB | B | FEB | P |
| MAR | C | MAR | Q |
| APR | D | APR | R |
| MAY | E | MAY | S |
| JUN | F | JUN | T |
| JUL | G | JUL | U |
| AUG | H | AUG | V |
| SEP | J | SEP | W |
| OCT | K | OCT | X |
| NOV | L | NOV | Y |
| DEC | M | DEC | Z |

9. OTHER

9.1 Caution of use

9.1.1 Please don't apply excess mechanical stress to the component and terminals at soldering.

9.1.2 The component may be damaged when an excess stress will be applied.

9.1.3 This specification mentions the quality of the component as a single unit. Please insure the component is thoroughly evaluated in your application circuit.

9.2 Notice

9.2.1 Please return one of these specifications after your signature of acceptance.

9.2.2 When something gets doubtful with this specification, we shall jointly work to get an agreement



AEL Crystals Limited
Unit 28, The IO Centre
Salbrook Road
Salfords
Surrey
RH1 5GJ - UK

Tel: +44 (0)1293 789200 (Main)
Fax: +44 (0)1293 789490 (Main)

Test Data of Dielectric Antenna Element

样品名称: A1573M753000L001
测试仪器: ADVANTEST R3765CG
测试夹具: 介质天线测试板 (with adhesive tape) tested on 20*20
PCB, suitable for customer application.
测试时间: 2012年9月13日

测试数据

| 数据 样品 | 中心频率 fo(-10dB) MHz | 通带宽度 BW(-10dB)MHz | 驻波比 SWR | |
|----------|-----------------------|----------------------|------------|--|
| 1 | 1568.0 | 95.1 | -19.3 | |
| 2 | 1569.3 | 92.2 | -17.8 | |
| 3 | 1569.5 | 93.6 | -17.9 | |
| | | | | |
| | | | | |
| | | | | |
| | | | | |
| | | | | |
| | | | | |
| | | | | |
| | | | | |
| | | | | |
| | | | | |
| | | | | |
| | | | | |
| | | | | |
| | | | | |
| | | | | |
| | | | | |
| | | | | |

Attn : Robert Newbold

Date: Sep.14th,2012