

X-Band Motion Sensor

Model : TMS100

[Features]

TMS100 is X-band Doppler motion sensor to detect motion.

It consists of DR(dielectric resonator) oscillator, passive diode and patch antennas and provides most reliable solution in motion detection.

[Applications]

- Intrusion alarm
- Automatic door
- Obstruction alarm system 장애물 경보 시스템
- Non-contact measurement
- Dual motion sensor with PIR
- Velocity measurement
- Automatic on and off lamps

FCC NOTE: THE MANUFACTURER IS NOT RESPONSIBLE FOR ANY RADIO OR TV INTERFERENCE CAUSED BY UNAUTHORIZED MODIFICATIONS TO THIS EQUIPMENT. SUCH MODIFICATIONS COULD VOID THE USER'S AUTHORITY TO OPERATE THE EQUIPMENT.

This device complies with Part 15 of the FCC Rules. Operation is subject to the following two conditions: 1. This device may not cause harmful interference, and 2. This device must accept any interference received, including interference that may cause undesired operation.

[Electrical Specifications]

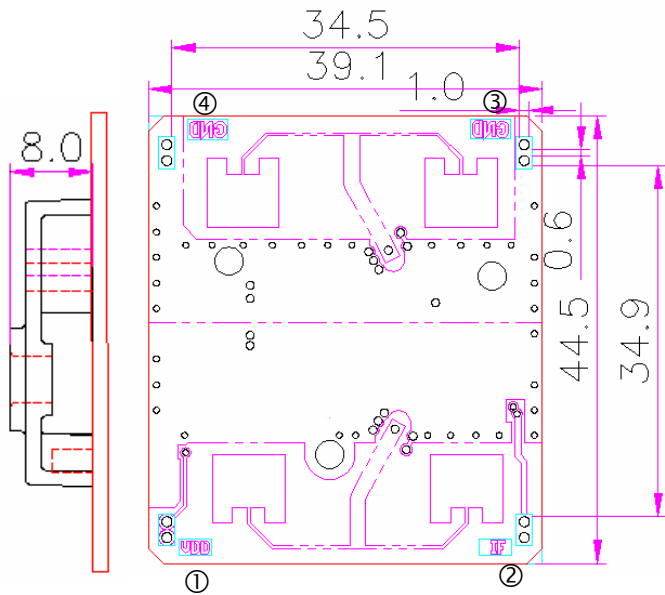
Parameters		Min.	Typ.	Max.	Unit	Condition
CW	Frequency	10,525 ± 12.5			MHz	Over Temp.
	Output Power (EIRP)			15	dBm	
	Power Supply	4.75	5	5.25	V	
	Current Consumption	30		60	mA	CW
	Settling time			6	μS	
	Noise			10	μVrms	3~80 Hz
	Received Signal			20	mVp-p	max
	3dB Antenna Beam Width - Azimuth		81		°	
	3dB Antenna Beam Width - Elevation		36		°	
	Operating temp.	-20		+55	°C	
	Storage temp.	-30		+70		
Size	45 x 40			mm ²		
Pulse Operation	Pulse Width	5			μS	
	Duty Cycle	1			%	
	Average Current		2		mA	@5% duty

Warning : The specifications can be changed without any notice.

X-Band Motion Sensor

Model : TMS100

[Dimension]

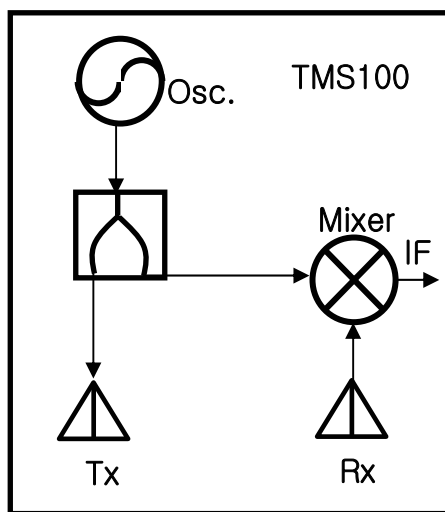


면 전면 (mm)

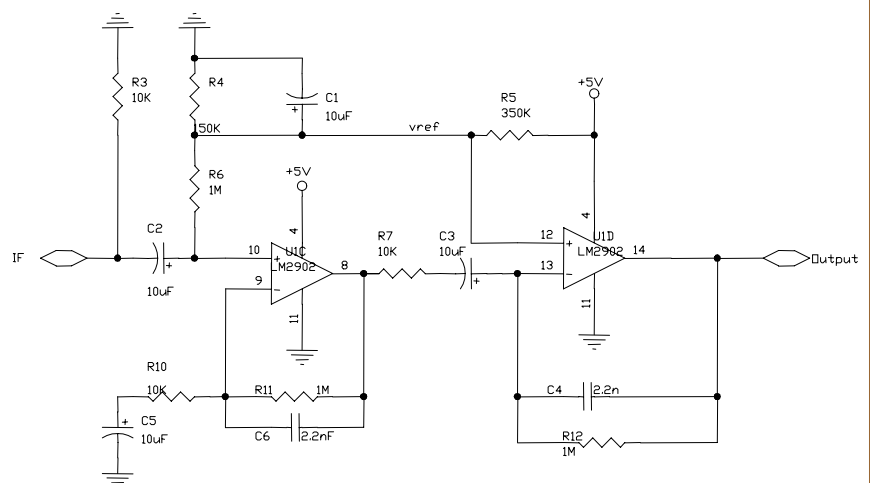
[Pin Description]

#	핀이름	설명
1	VDD	전원, +5V
2	IF	출력
3	GND	접지
4	GND	접지

[Block Diagram]



[Application Circuit Example]



Warning : TMS100 is very sensitive to ESD, so you should be very careful in installation. Unless, there would be an operational problem or it may be out of order.