



NXP Semiconductors

6501 West William Cannon Dr Mail Drop OE-59 Austin Texas United States

Tel: 5128956465 Fax: 5128953375

FEDERAL COMMUNICATIONS COMMISSION  
Authorization and Evaluation Division  
7435 Oakland Mills Road  
Columbia, MD 21046

### Attestation Letter

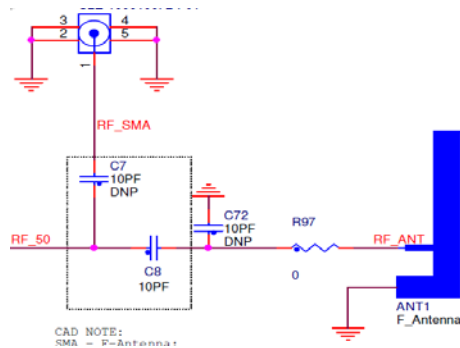
Date: 9 January 2018

SUBJECT: FCC Application for FCC ID: XXMFRDMKW41ZC2

To Whom It May Concern:

The product is a Freedom Development Platform, Model name: FRDM-KW41Z,  
It has a SMA connector, it only for Professional debug.  
If you want to use the SMA connector, you need to modify the circuit.

As following:



C7 is non-existent; you should remove C8 to C7.

Sincerely Yours,

Signature:

Typed or Printed Name: Jim Hornig  
Title: Compliance Engineer  
On Behalf of: NXP Semiconductors  
E-mail: jim.hornig@nxp.com