

Card Reader

Model Name : VS-R20 SC

Main Board : PS20SMA01

1. Contents

2. CPU

3. 232/485/Wiegand/Memory

4. Audio/Buzzer/Tamper/LED

5. Power

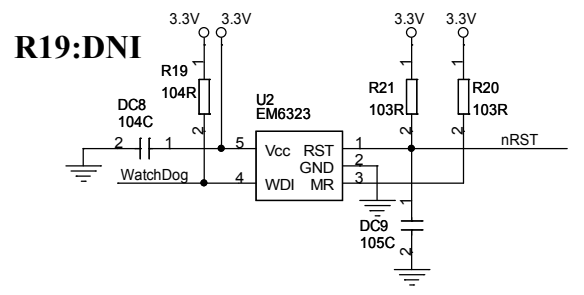
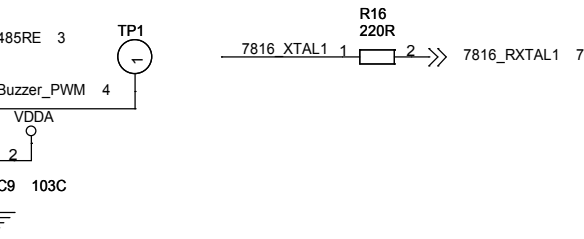
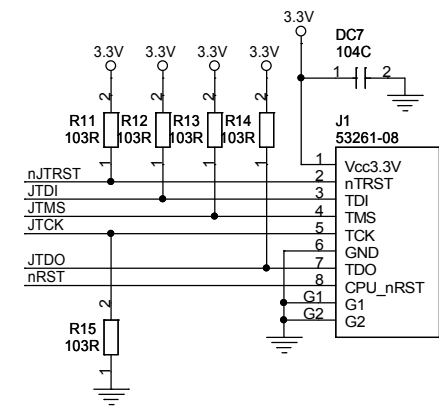
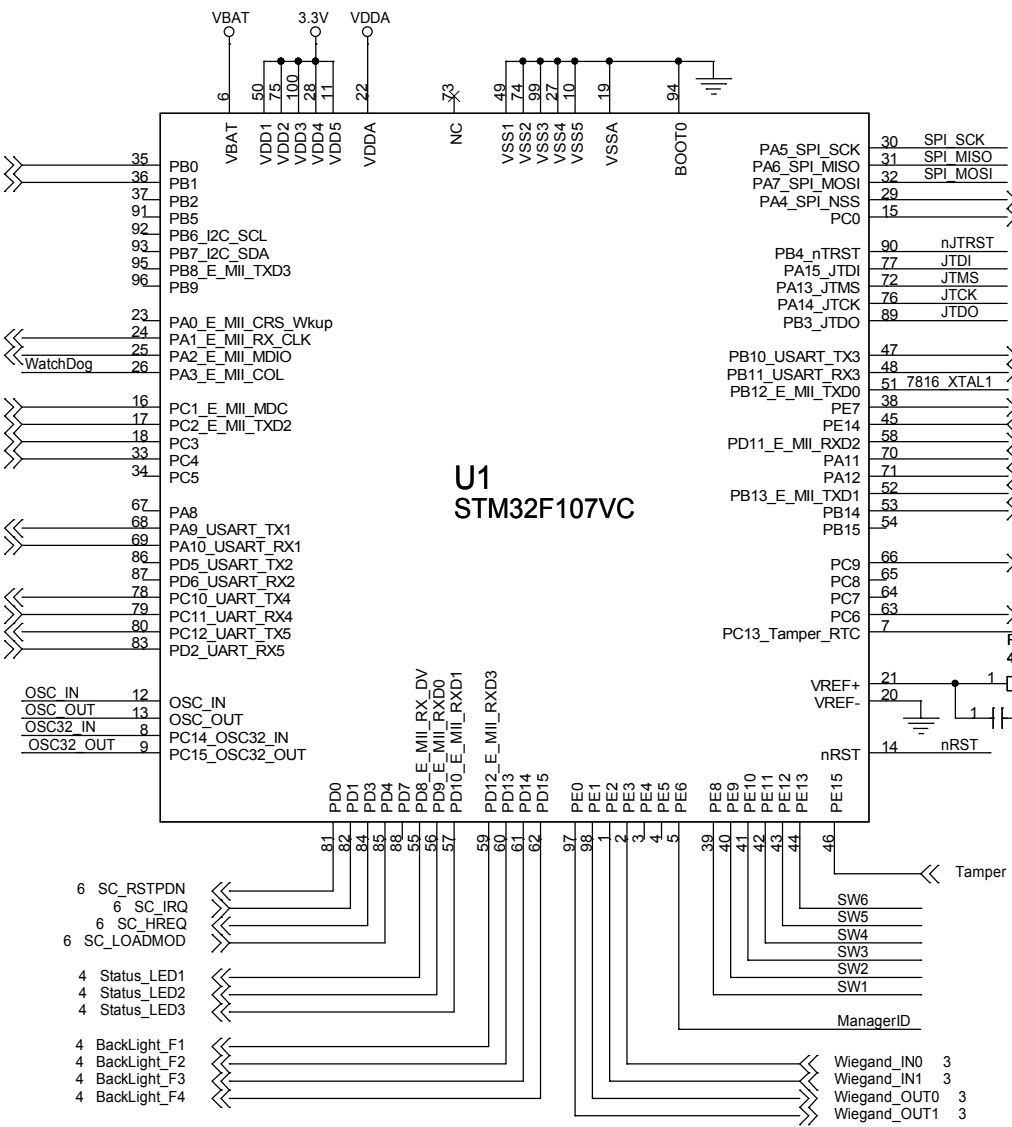
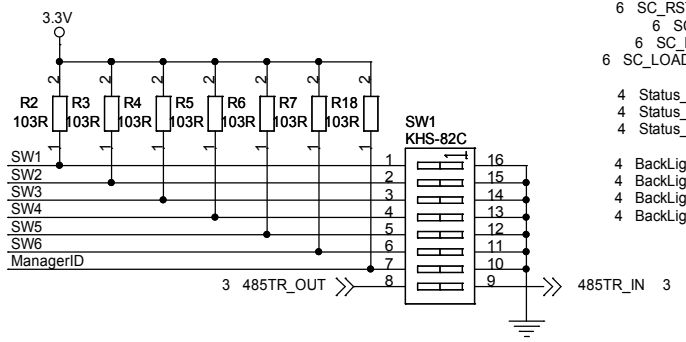
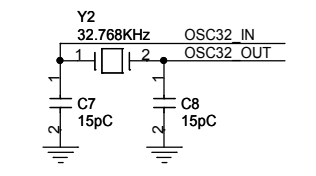
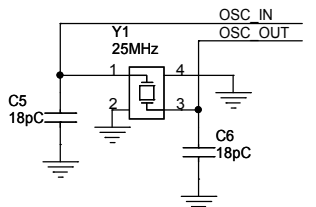
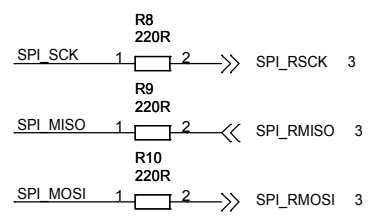
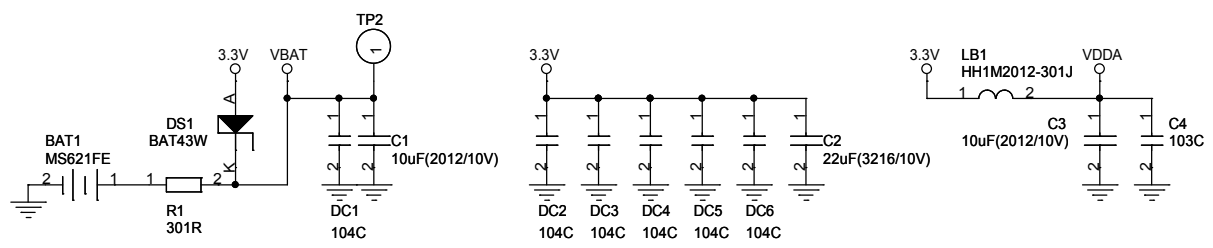
6. Smart Card(NFC) & Antenna

7. ISO7816

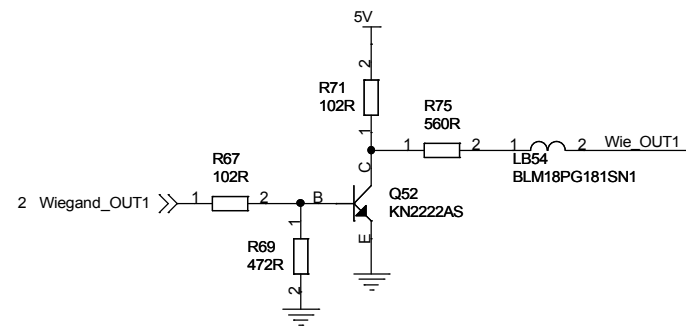
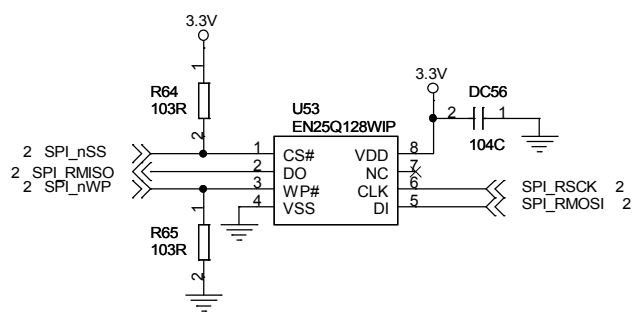
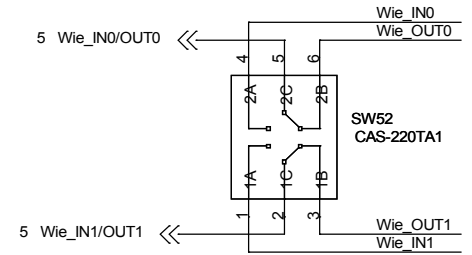
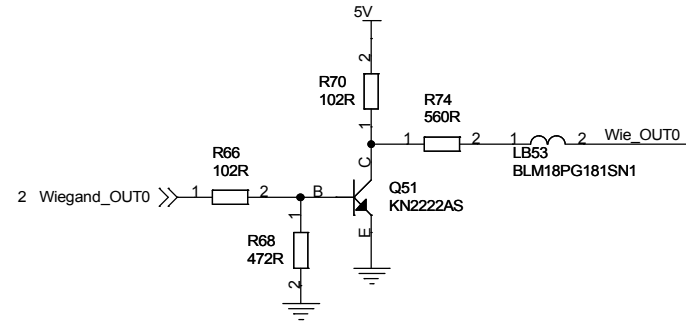
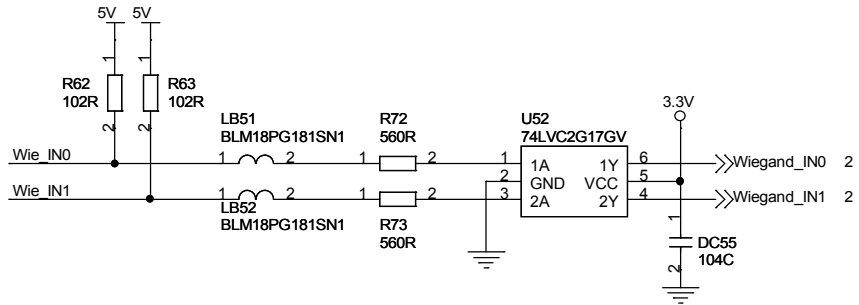
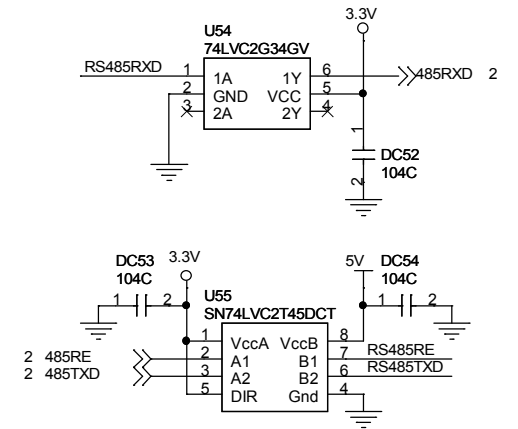
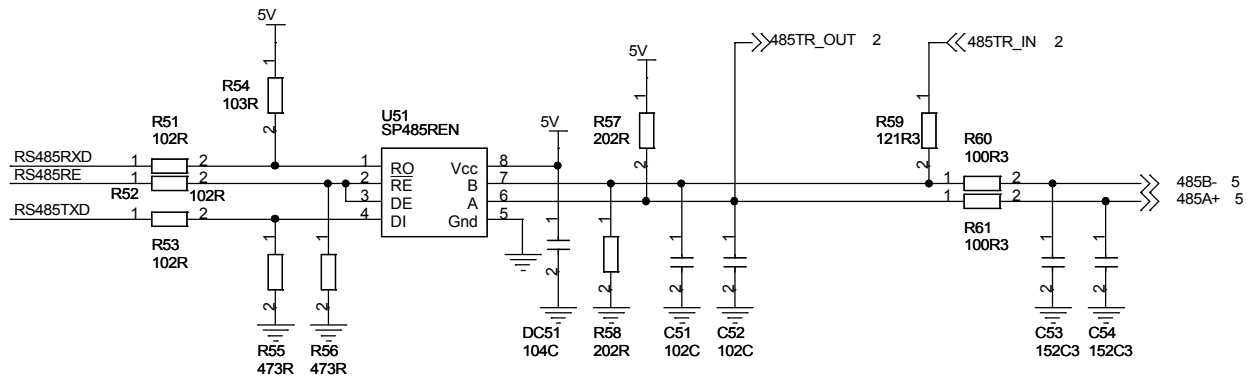
Key Board(Flexible PCB): PS20SKP01

8. Touch Pad

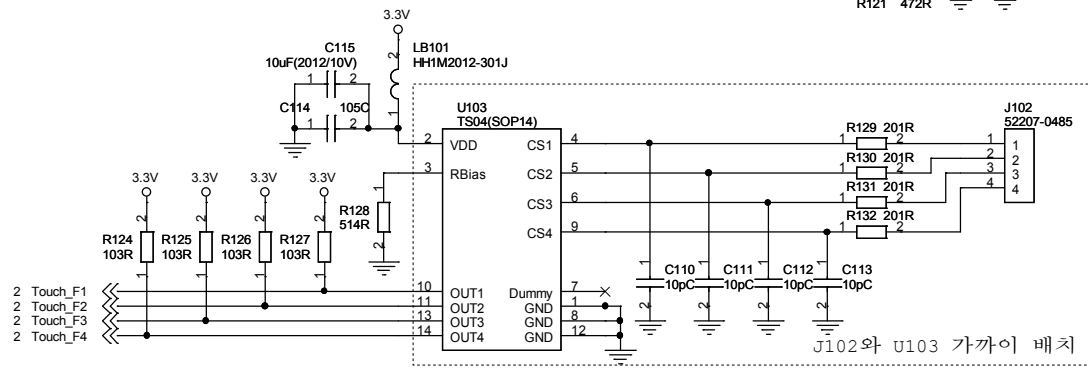
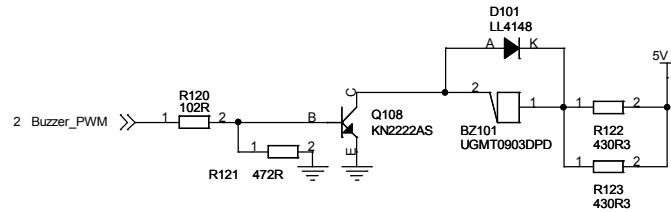
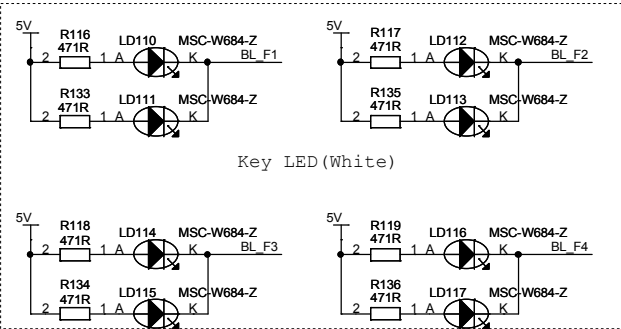
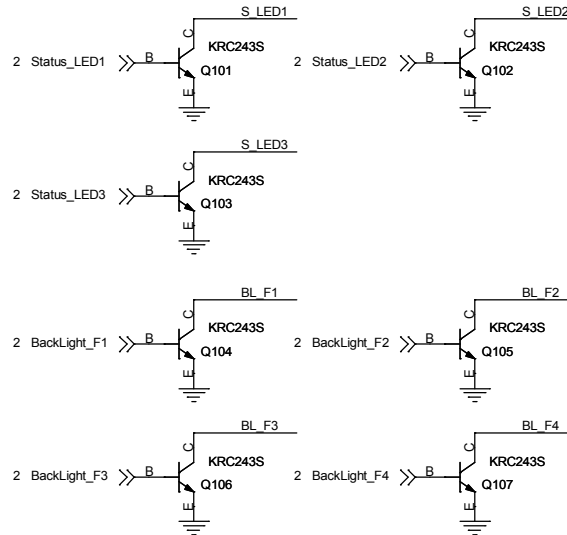
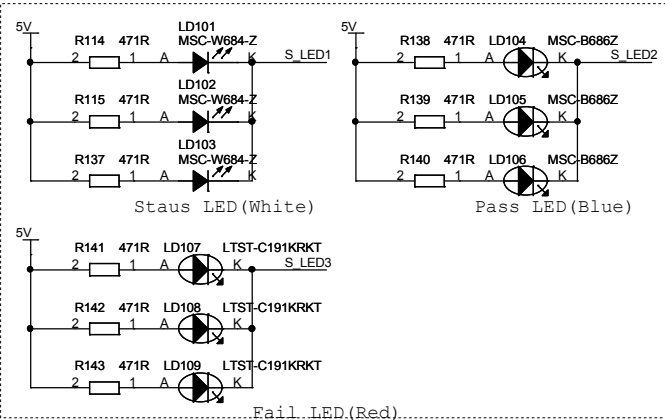
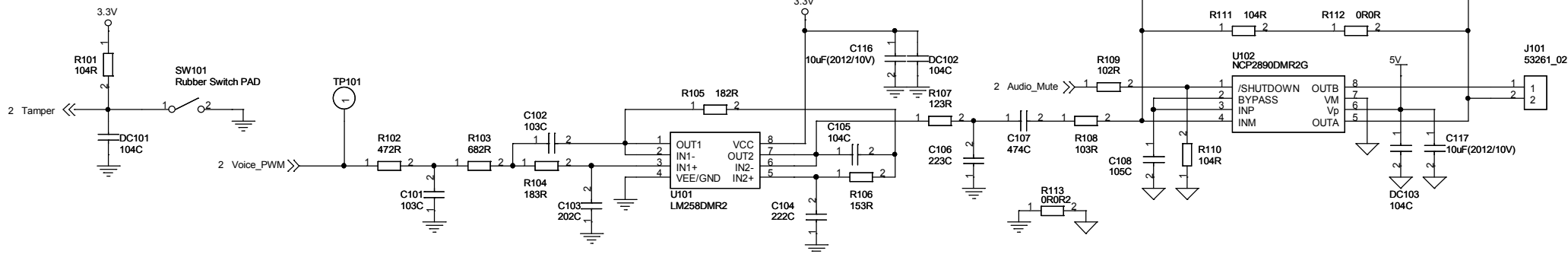
Title		
VS-R20 SC Cover/Contents		
Size	Document Number	Rev
A4	VS-R20 SC Series	10
Date:	Friday, January 25, 2013	Sheet 1 of 8



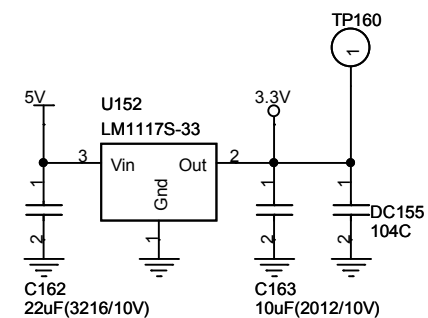
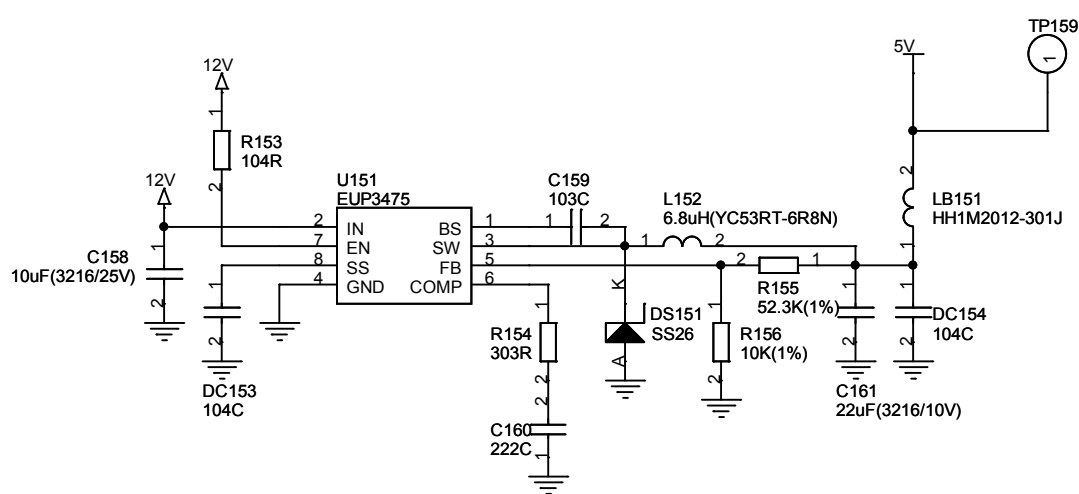
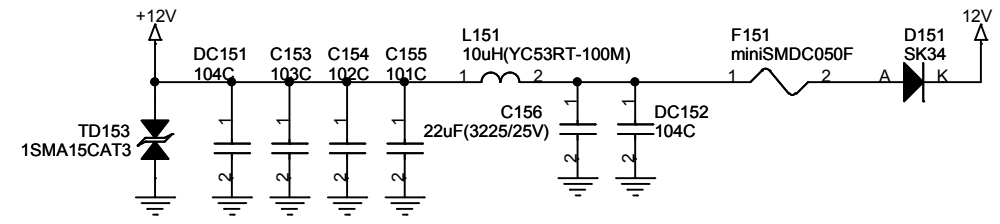
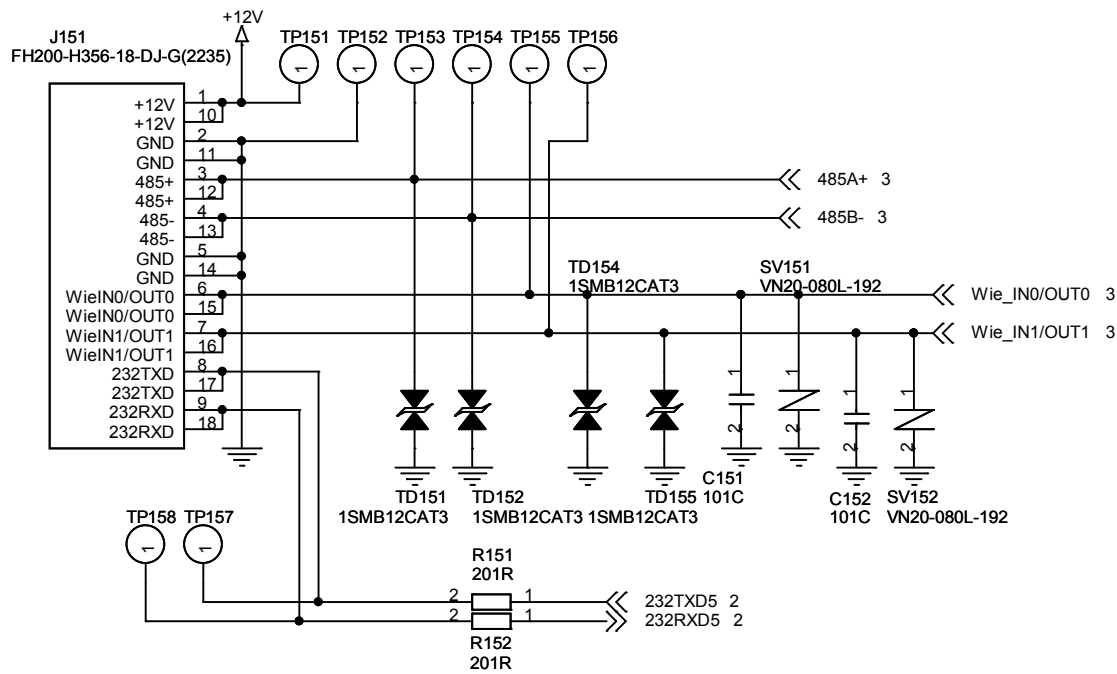
Title		
VS-R20 SC CPU		
Size	Document Number	Rev
Custom	PS20SMA01	10
Date:	Friday, January 25, 2013	Sheet 2 of 8



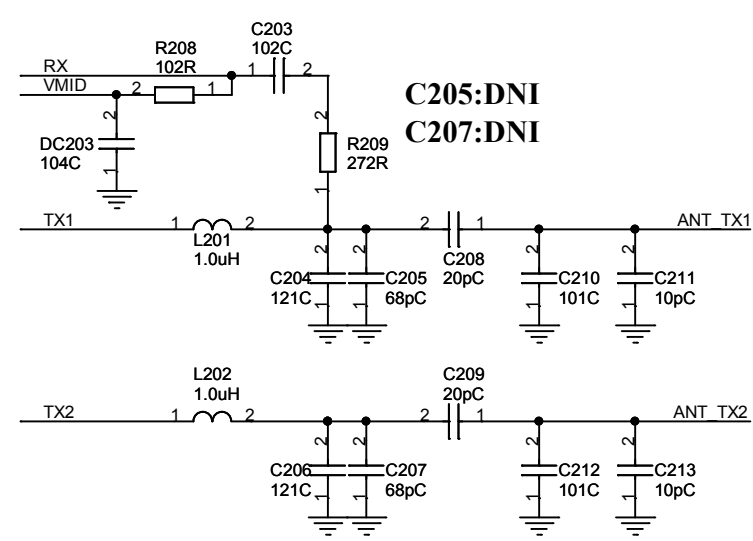
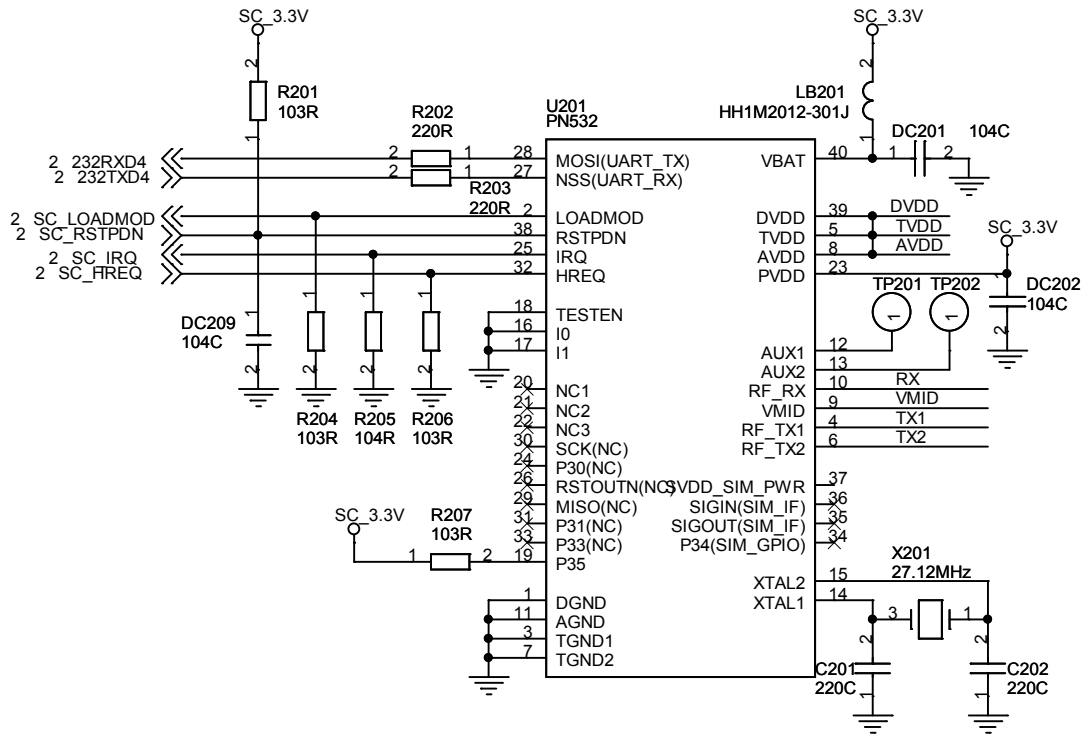
Title			VS-R20 SC 232/485/Wie/LED/Memory		
Size	Document Number		PS20SMA01		Rev
Custom					10
Date:	Friday, January 25, 2013		Sheet	3	of 8



Title			VS-R20 SC Voice/Buzzer/Tamper/LED/Touch		
Size	Document Number	PS20SMA01		Rev	10
Date:	Friday, January 25, 2013	Sheet	4	of	8



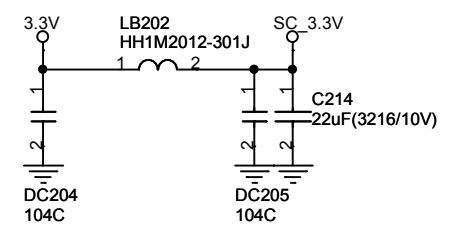
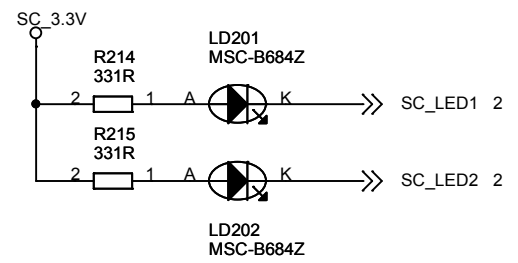
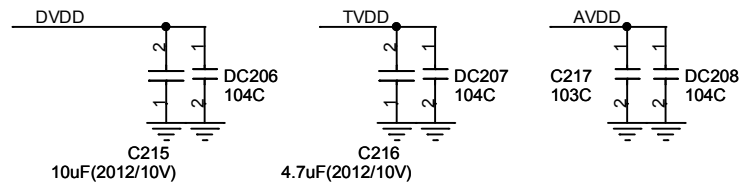
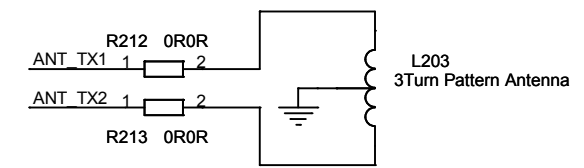
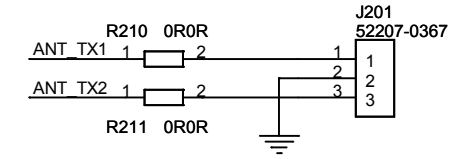
Title			VS-R20 SC Power		
Size	Document Number	PS20SMA01			Rev
A4					10
Date:	Friday, January 25, 2013	Sheet	5	of	8



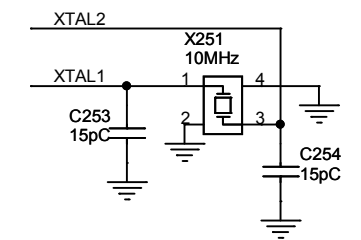
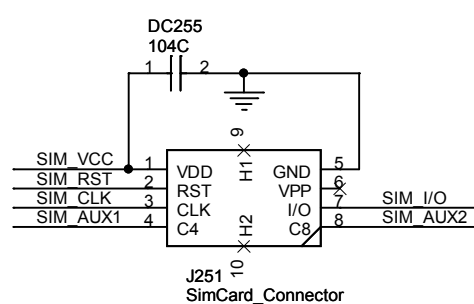
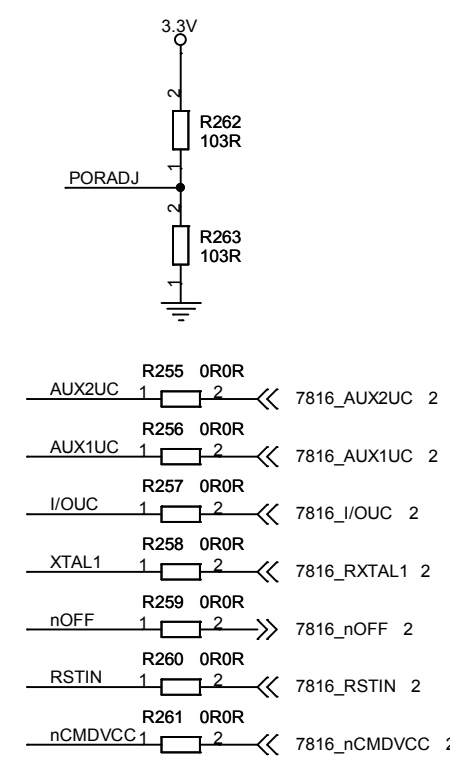
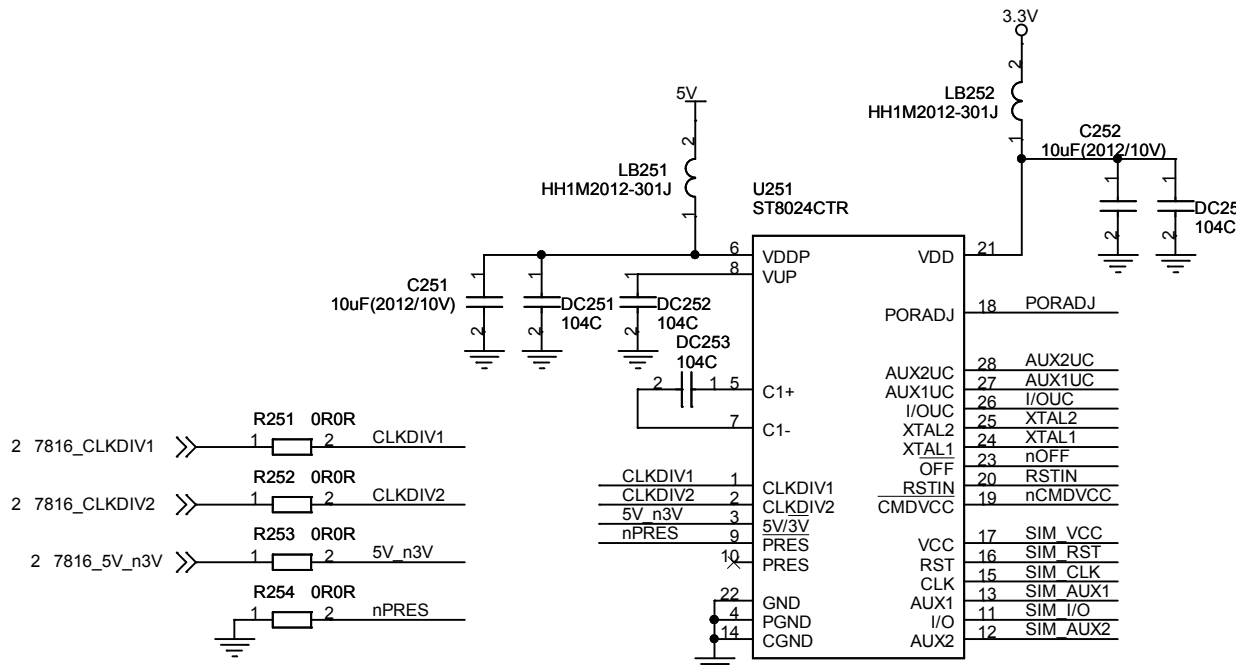
C211:DNI
C213:DNI

J201:DNI

R210:DNI
R211:DNI

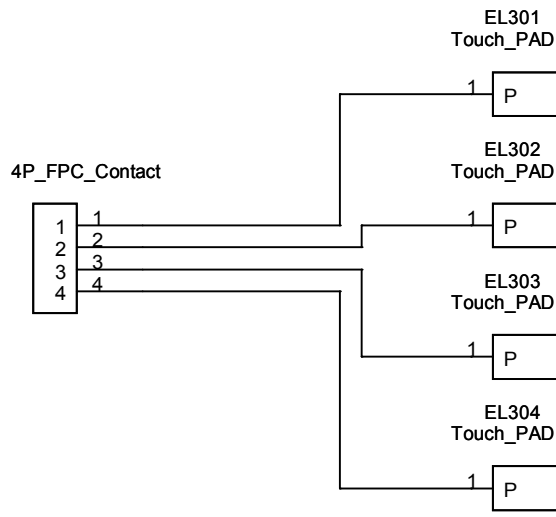


Title			
VS-R20 SC Smart Card w/NFC&ANT			
Size	Document Number	Rev	
A4	PS20SMA01	10	
Date:	Friday, January 25, 2013	Sheet	6 of 8



X251:DNI
C253:DNI
C254:DNI

Title		
VS-R20 SC ISO7816		
Size	Document Number	Rev
A4	PS20SMA01	10
Date:	Friday, January 25, 2013	Sheet 7 of 8



Title		
VS-R20 SC Keypad(Flexible PCB)		
Size	Document Number	Rev
A	PS20SKP01	10
Date:	Friday, January 25, 2013	Sheet 8 of 8