

Card Reader

Model Name : VS-R20 RF

Main Board : PVSR20RMA01

1. Contents

2. CPU

3. 232/485/Wiegand/Memory

4. Audio/Buzzer/Tamper/LED

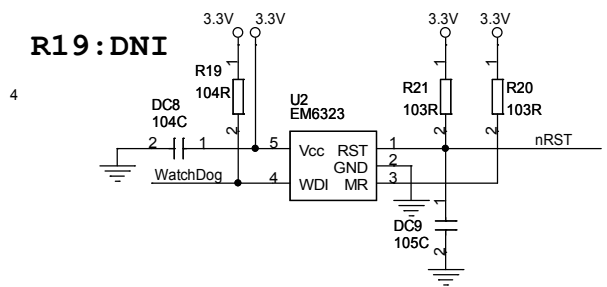
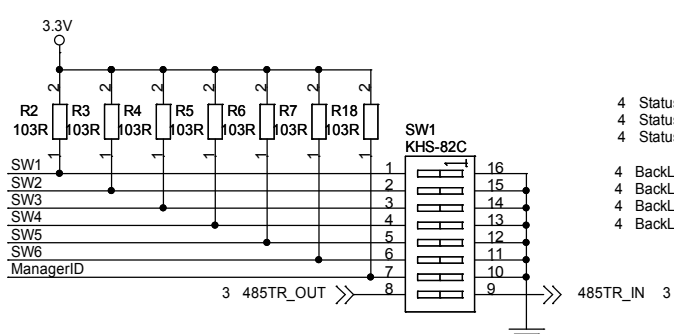
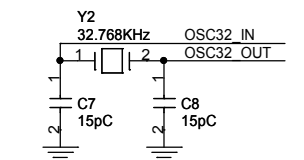
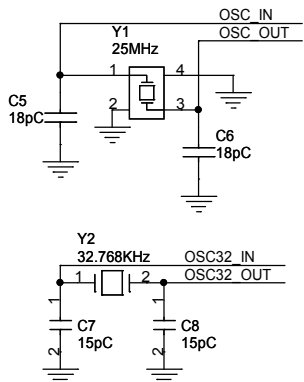
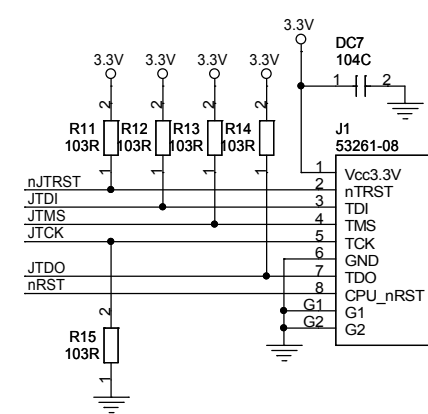
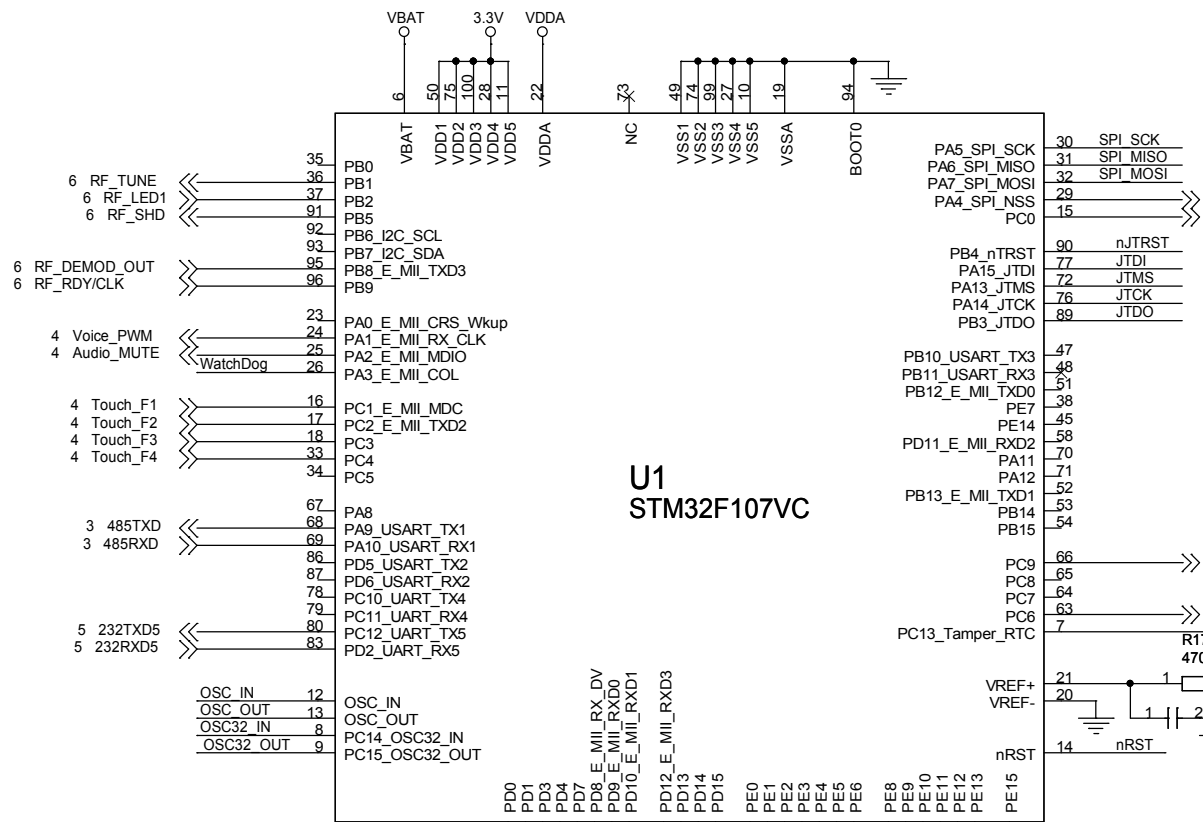
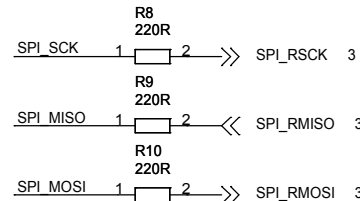
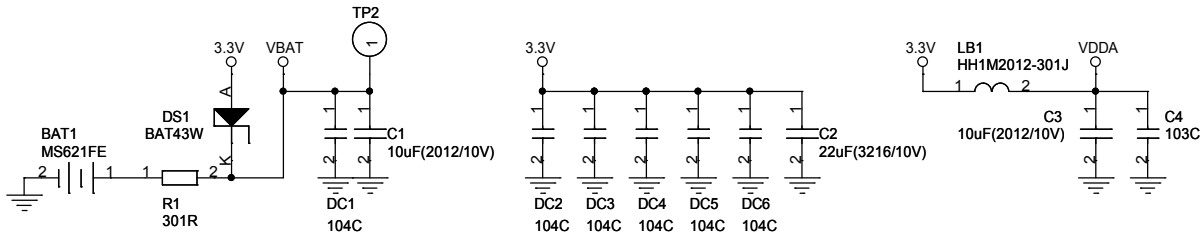
5. Power

6. 125KH RF Reader

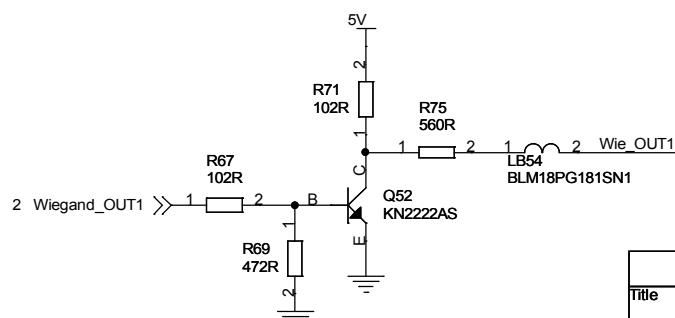
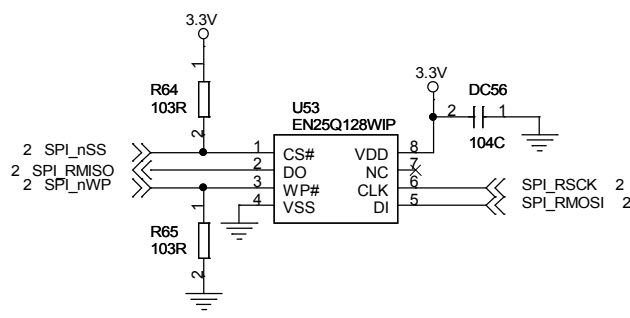
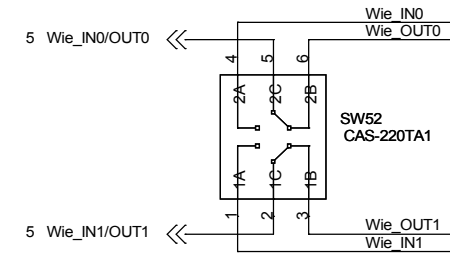
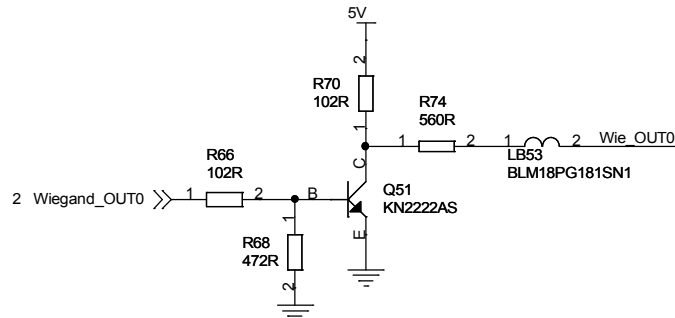
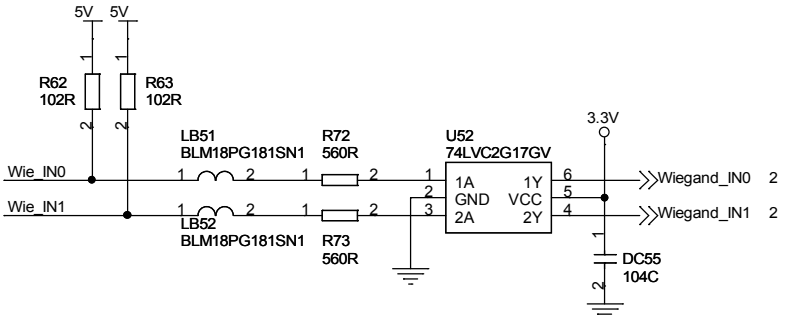
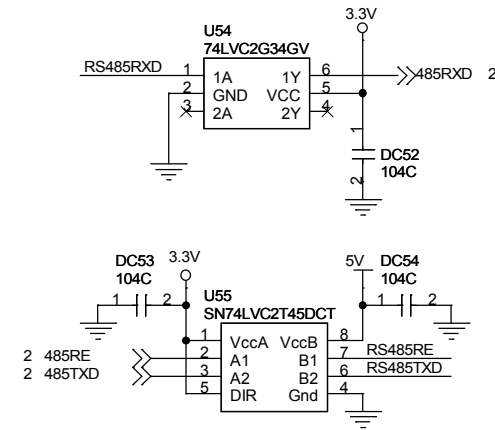
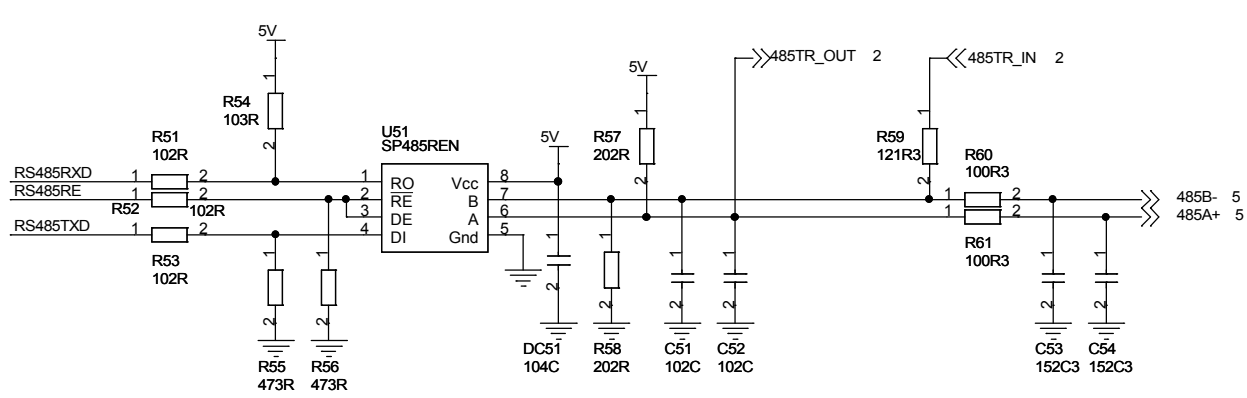
Key Board(Flexible PCB): PS20SKP01

7. Touch Pad

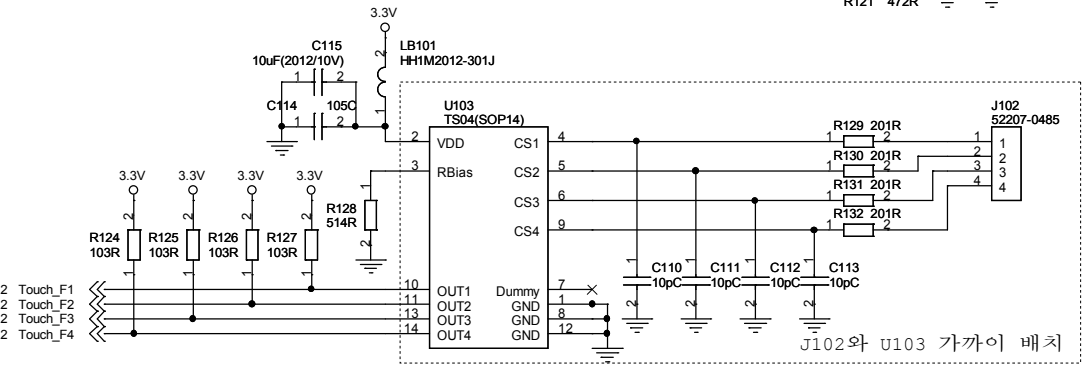
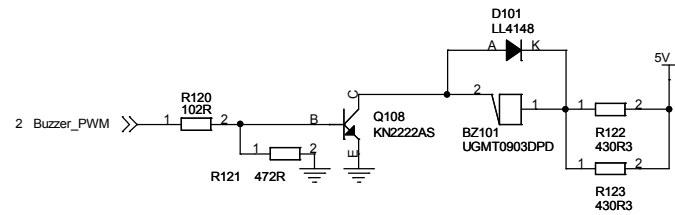
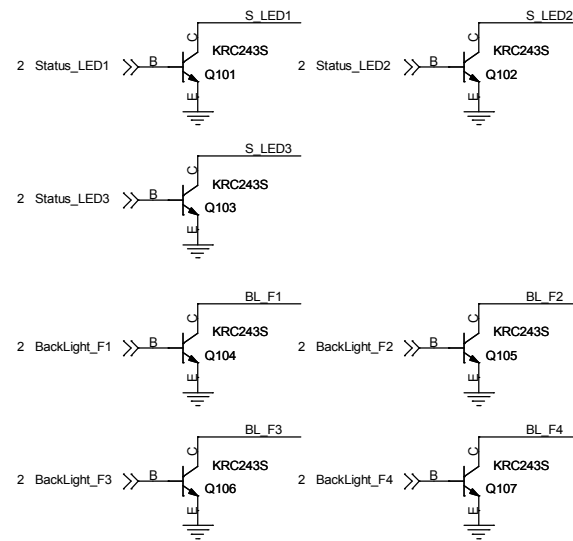
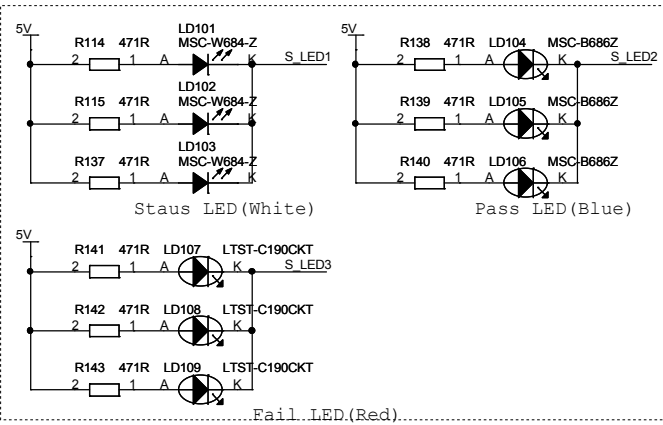
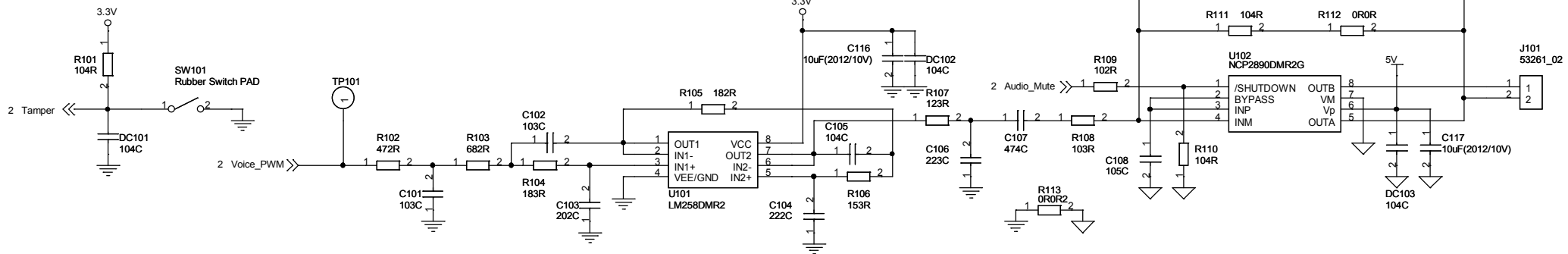
Title		
VS-R20 RF Cover/Contents		
Size	Document Number	Rev
A4	VS-R20 RF Series	10
Date:	Monday, January 28, 2013	Sheet 1 of 7



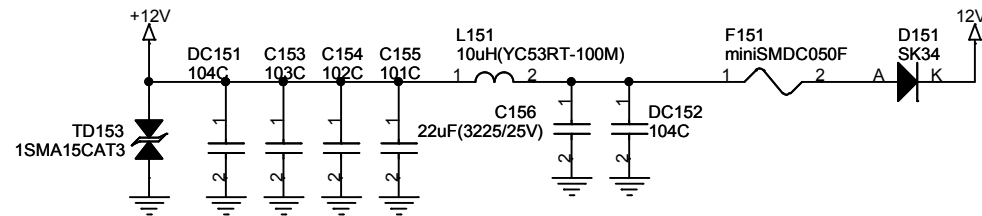
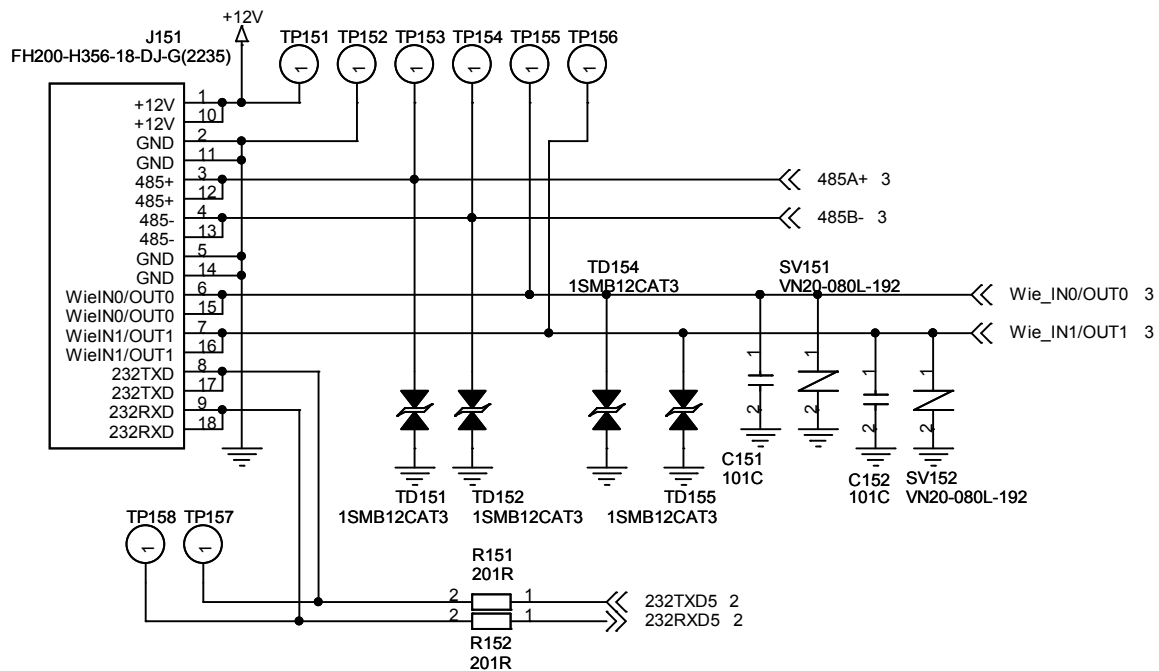
Title		
VS-R20 RF CPU		
Size	Document Number	Rev
Custom	PS20RMA01	10
Date:	Friday, January 18, 2013	Sheet 2 of 7



Title		
VS-R20 RF 232/485/Wie/LED/Memory		
Size	Document Number	Rev
Custom	PS20RMA01	10
Date:	Monday, January 28, 2013	Sheet 3 of 7



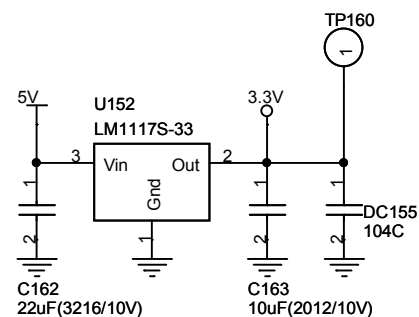
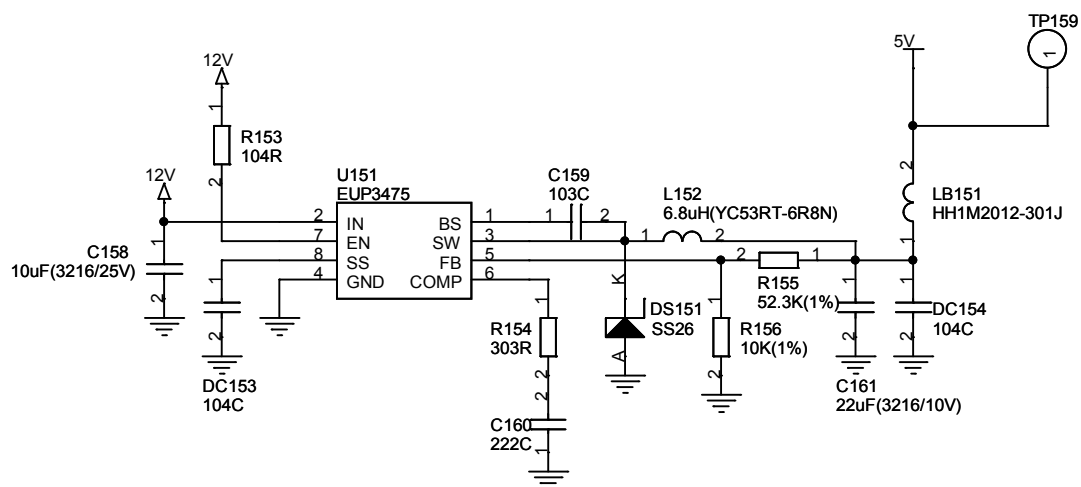
Title			VS-R20 RF Voice/Buzzer/Tamper/LED/Touch		
Size	Document Number	Rev			
Custom	PS20RMA01	10			
Date:	Friday, January 18, 2013	Sheet	4	of	7



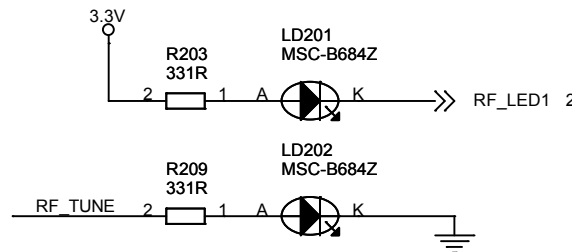
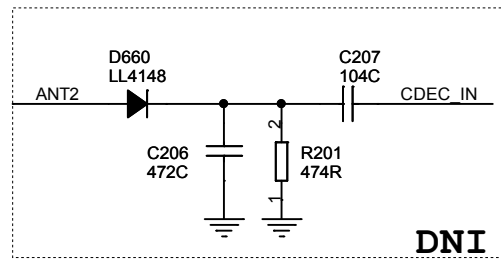
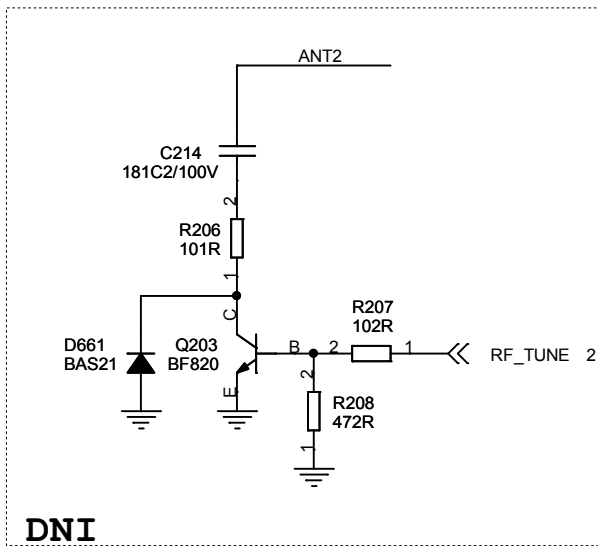
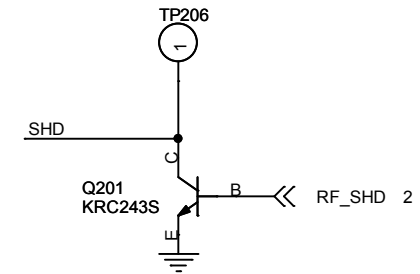
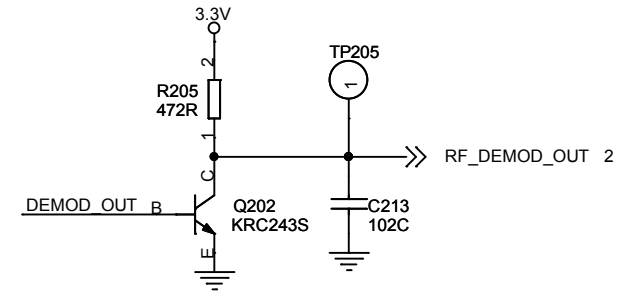
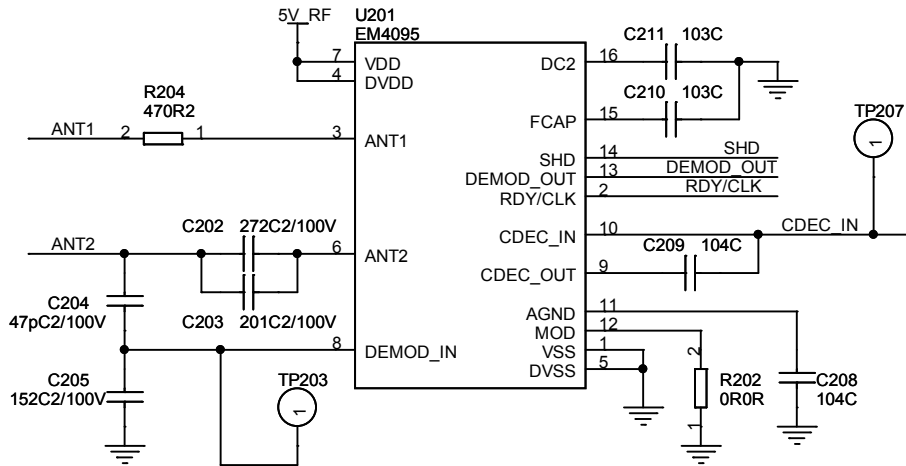
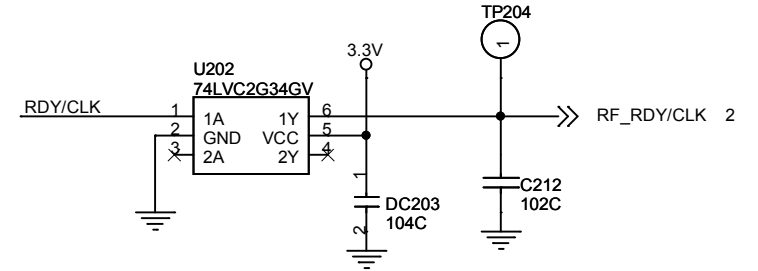
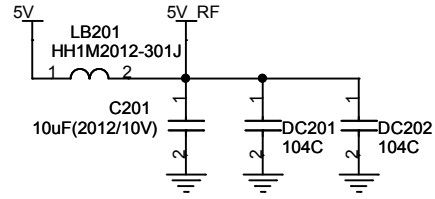
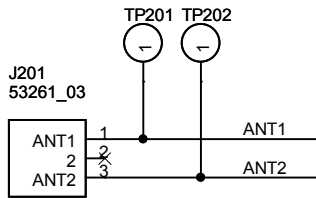
J151 (2mm Pitch, Dual, 18P Socket) Pin Out

18	17	16	15	14	13	12	11	10
9	8	7	6	5	4	3	2	1

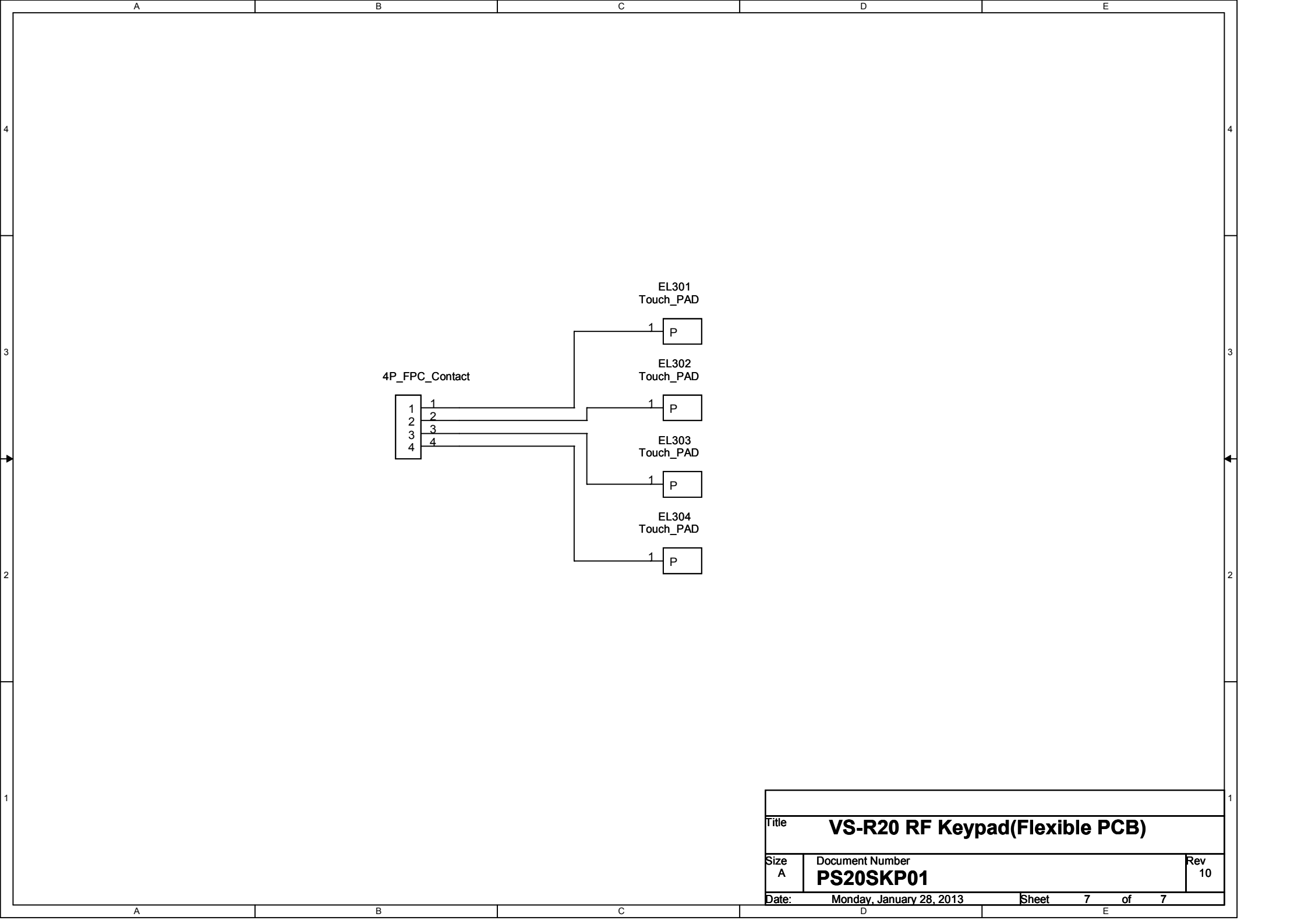
Top View



Title			VS-R20 RF Power		
Size	Document Number	PS20RMA01			Rev
A4					10
Date:	Monday, January 28, 2013	Sheet	5	of	7



Title			
VS-R20 RF Smart Card w/NFC&ANT			
Size	Document Number	Rev	
A4	PS20RMA01	10	
Date:	Monday, January 28, 2013	Sheet	6 of 7



Title		
VS-R20 RF Keypad(Flexible PCB)		
Size	Document Number	Rev
A	PS20SKP01	10
Date:	Monday, January 28, 2013	Sheet 7 of 7