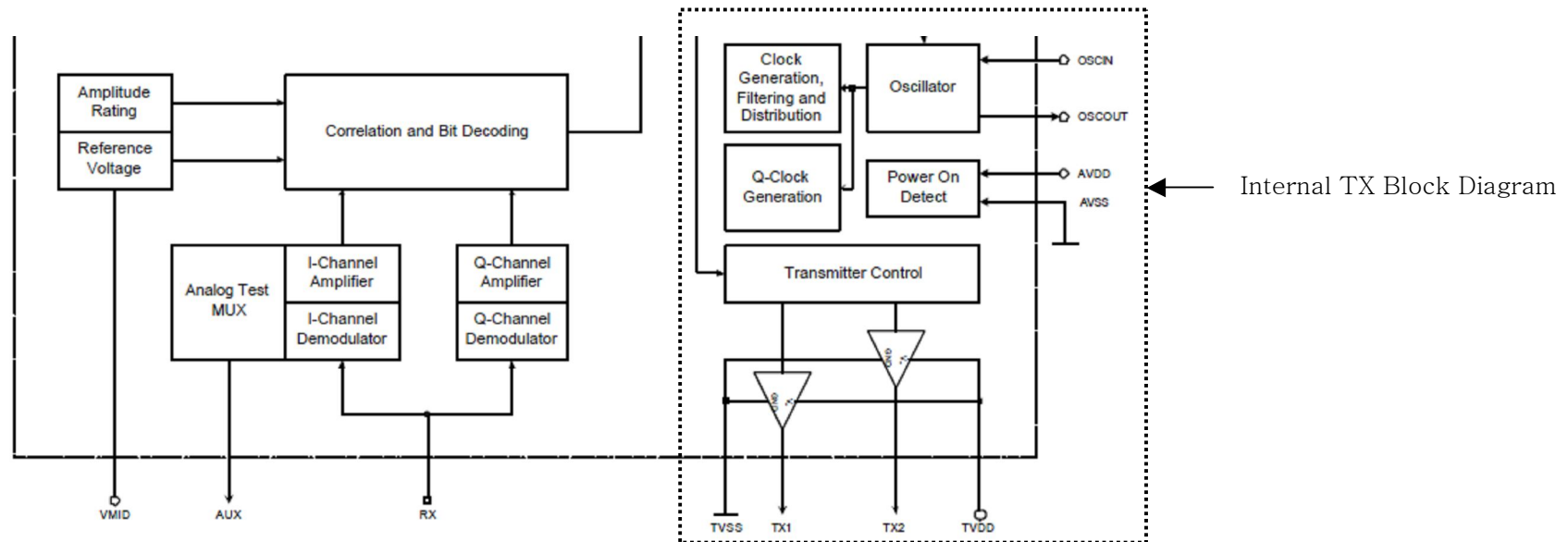


Applicant: UNION COMMUNITY Co.,Ltd.

Model Name: LAFP10-S

### (1) Transmitter Architecture and Operational Description

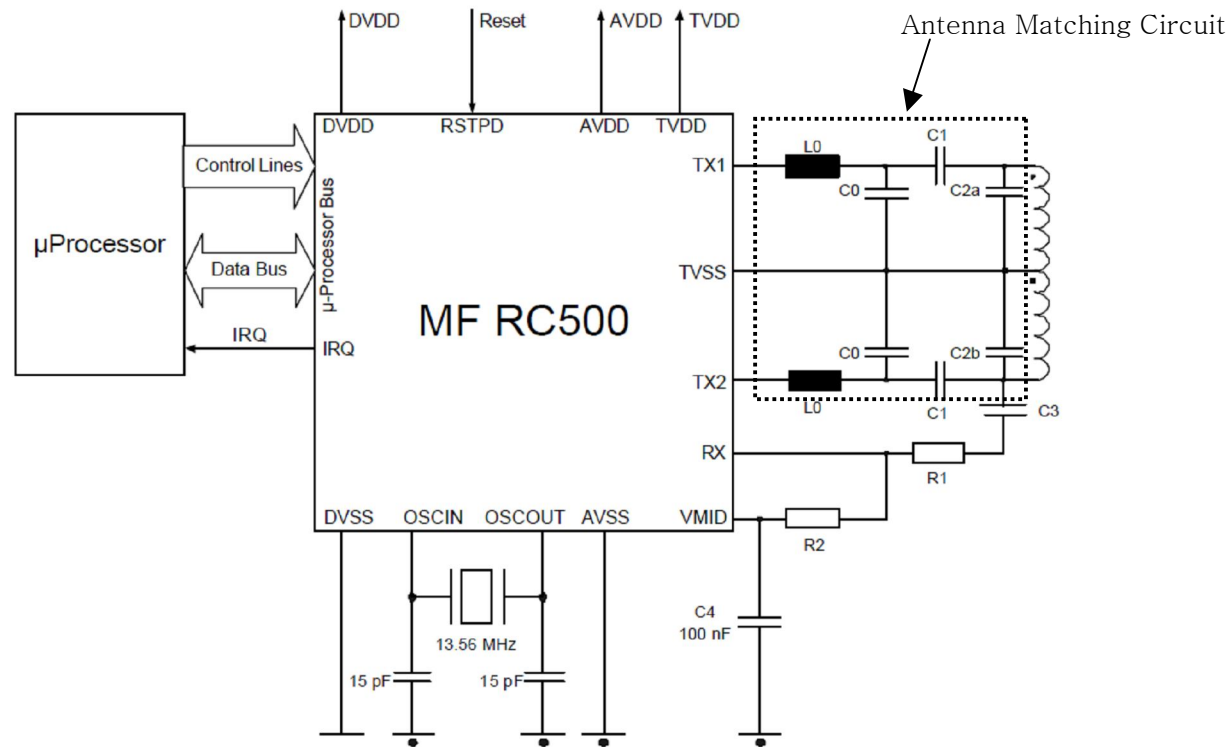


TX1: Transmitter 1, delivers the modulated 13.56 MHz energy carrier

TX2: Transmitter 2, delivers the modulated 13.56 MHz energy carrier

TVDD: Transmitter Power Supply, supplies the output stage of TX1 and TX2

TVSS: Transmitter Ground, supplies the output stage of TX1 and TX2



The signal delivered on TX1 and TX2 is the 13.56 MHz energy carrier modulated by an envelope signal. It can be used to drive an antenna directly, using a few passive components for matching and filtering . For that, the output circuitry is designed with a very low impedance source resistance. The user has the possibility to find a trade-off between maximum achievable operating distance and power consumption by using different antenna matching circuits.