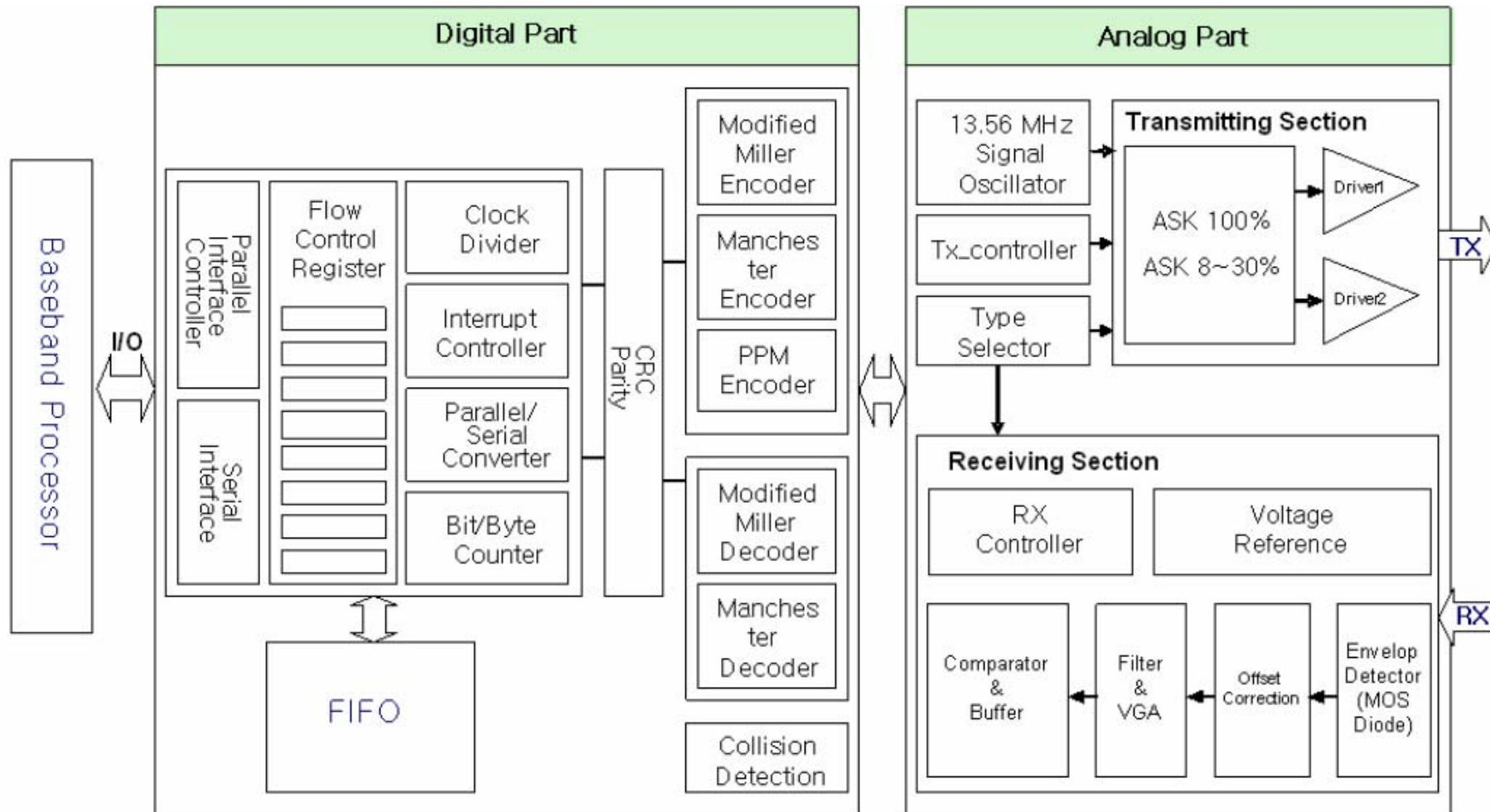


Applicant: UNIONCOMMUNITY

Model Name: AC-1000SA

1. Operation Description (Block Diagram)

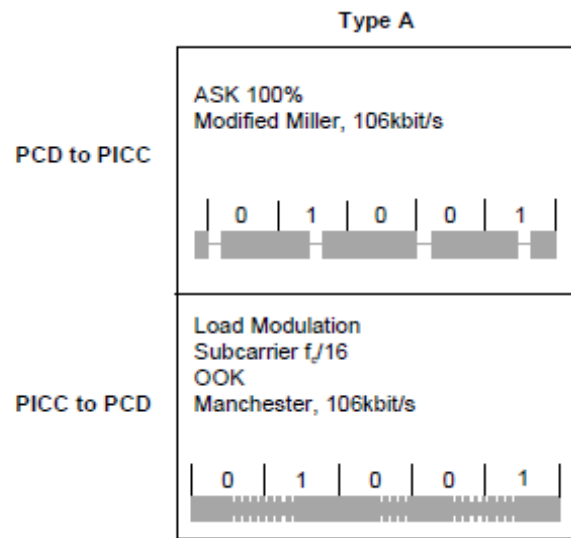


7 Signal interface

The PCD shall alternate between modulation methods when idling before detecting the presence of a PICC of Type A.

Only one communication signal interface may be active during a communication session until deactivation by the PCD or removal of the PICC. Subsequent session(s) may then proceed with either modulation method.

Figure 1 is an illustration of the concepts described in the following clauses.



If the envelope of the PCD field does not decrease monotonically, the time between a local maximum and the time of passing the same value before the local maximum shall not exceed $0,5 \mu\text{s}$. This shall only apply if the local maximum is greater than 5% of H_{INITIAL} .

Overshoots shall remain within 90% and 110% of H_{INITIAL} .

The PICC shall detect the "End of Pause" after the field exceeds 5% of H_{INITIAL} and before it exceeds 60% of H_{INITIAL} . Figure 3 shows the definition of the "End of Pause". This definition applies to all modulation envelope timings.