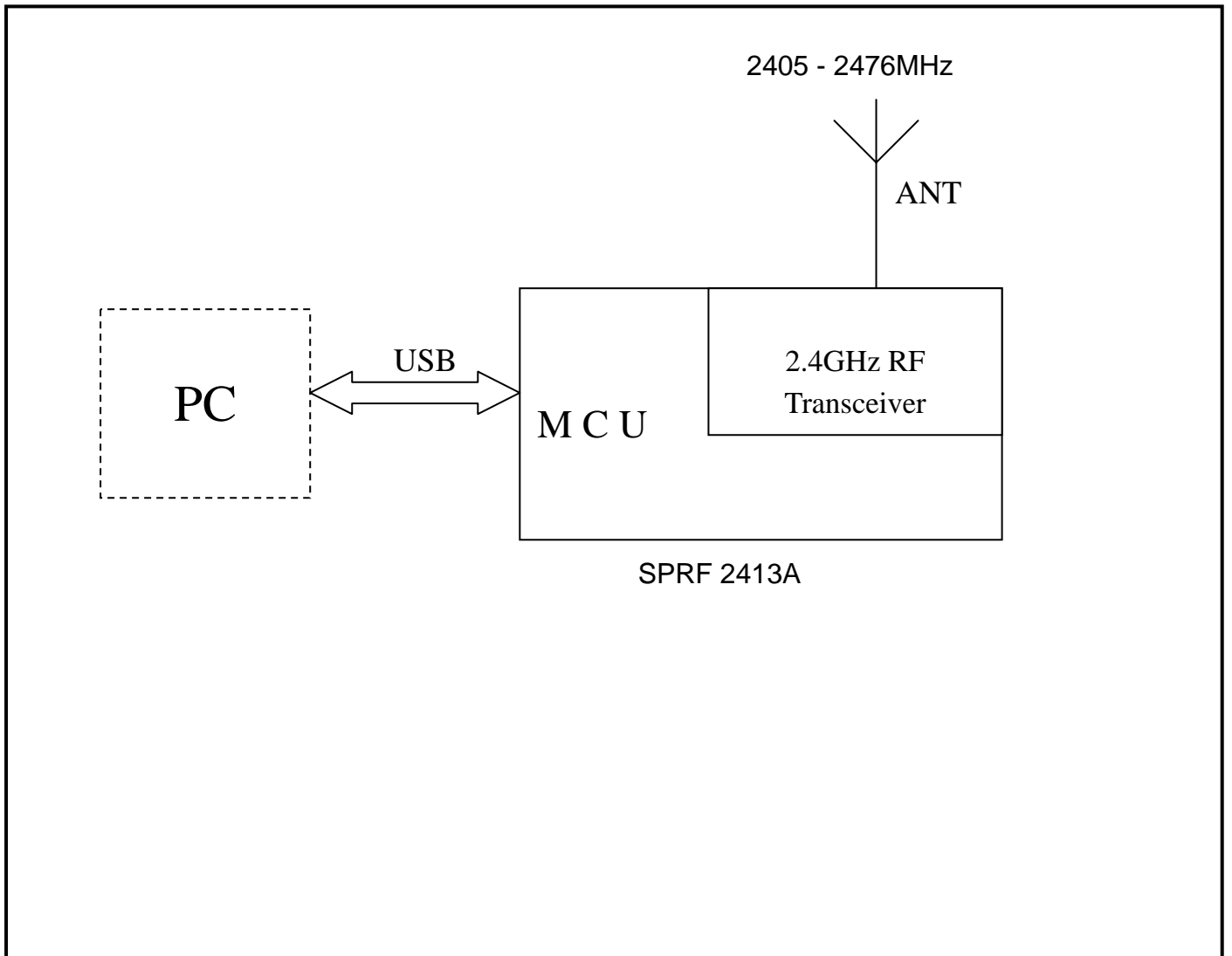


DR-9055RL Block Diagram



2.4GHz Module Block Diagram

