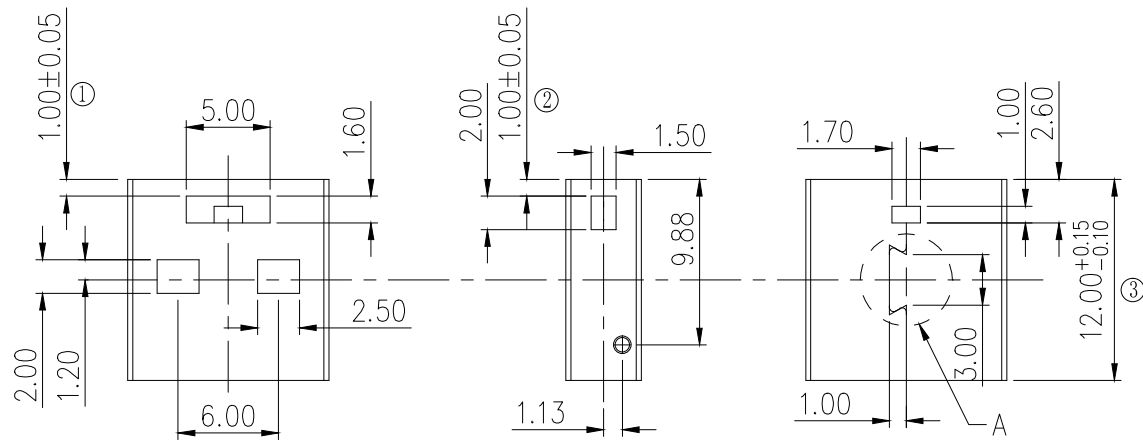
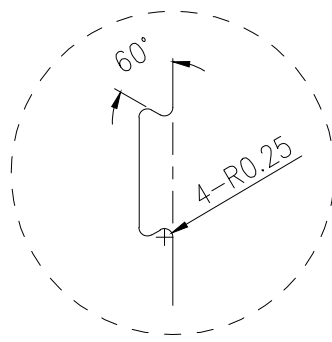
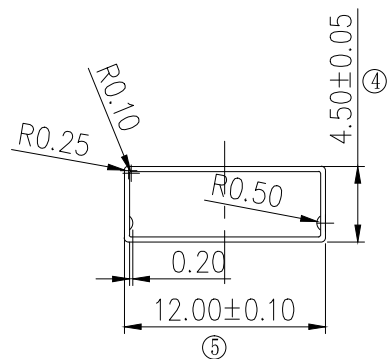


PRINT	FONT NO.	MARK	ISSUE	DATE	REVER CHECK
-------	----------	------	-------	------	-------------



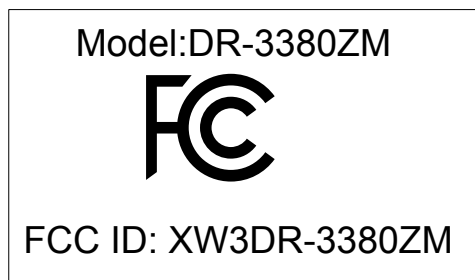
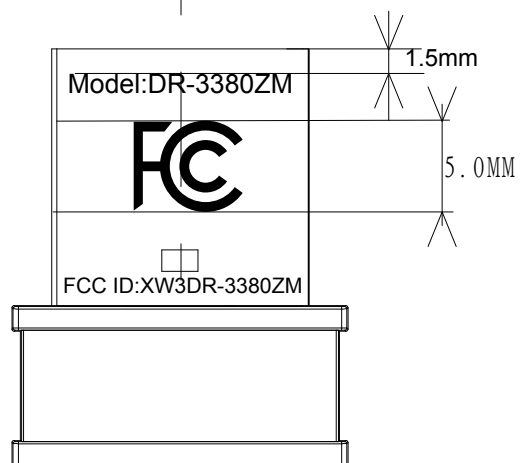
NOTES:

1. material: SPCC, 表面镀镍, 厚度0.3mm
2. ○CTA= Critical to assemble(01-05)**
□CTF= Critical to function(00-00)**



SELECT V	V			
DIM. LEVEL	A	B	C	D
~5	±0.03	±0.05	±0.08	±0.10
5~10	±0.05	±0.08	±0.10	±0.15
10~50	±0.08	±0.10	±0.15	±0.20
50~100	±0.10	±0.15	±0.20	±0.25
100~	±0.10	±0.15	±0.20	±0.25

A
SCALE 2



镭雕字样

PART NO	DESCRIPTION	Q'TY	MAT'L	TREATING	REMARK	
SCALE FREE	TOLERANCE UNSPECIFIED					
UNIT mm	XXX ± .XX ± .X ± ANGLE ±					
DRAW longlinhua	DO NOT SCALE DRAWING					TITLE
DESIGNER	SHEET OF					
CHECKED		DRAWING NO		REV.		
APPROVED		398-00388-002		A		