

Dongguan Siliten Electronics CO., LTD

Attestation for FCC Declaration of Conformity

FCC ID: XW3DR9022RL

Date: 2009-12-7

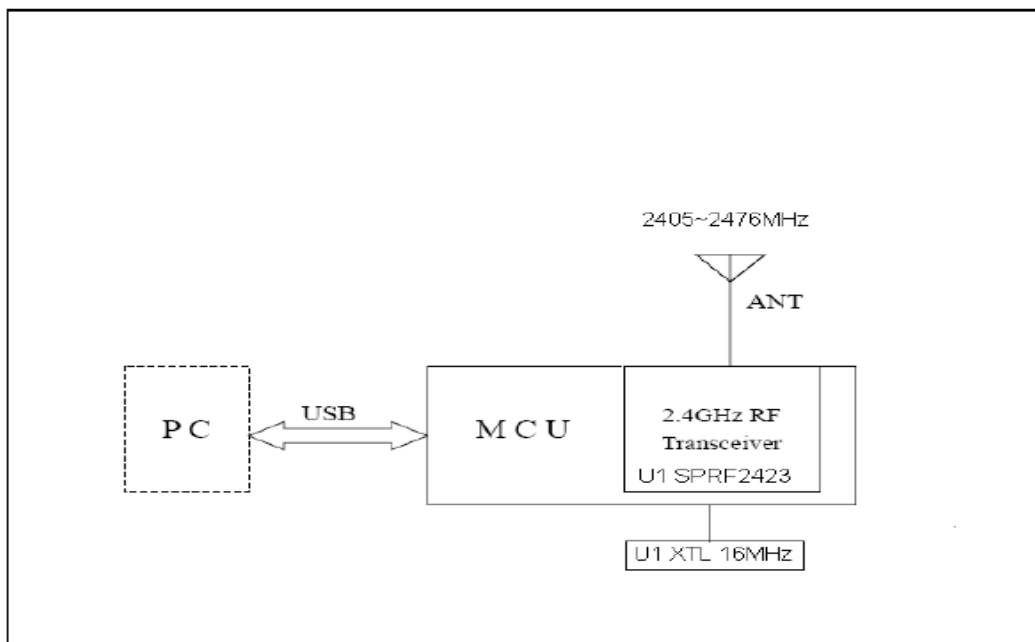
Please be notified that we, Dongguan Siliten Electronics CO., LTD the EUT (2.4G WIRELESS Transceiver) declares it meet below items:

15.247(a)(1) The system shall hop to channel frequencies that are selected at the system hopping rate from a pseudo randomly ordered list of hopping frequencies. Each frequency must be used equally on the average by each transmitter. The system receivers shall have input bandwidths that match the hopping channel bandwidths of their corresponding transmitters and shall shift frequencies in synchronization with the transmitted signals.

The EUT will make a set randomly permutation by a function program of DSP when before transmit. And the transmitter will use the randomly permutation to make hopping frequencies list, because it use the same coupler and circulator circuit to control it to receive and transmit simultaneously

Block diagram

DR-9022RL Circuit Diagram



15.247(g) Frequency hopping spread spectrum systems are not required to employ all available hopping channels during each transmission. However, the system, consisting of both the transmitter and the receiver, must be designed to comply with all of the regulations in this section should the transmitter be presented with a continuous data (or information) stream. In addition, a system employing short transmission bursts must comply with the definition of a frequency hopping system and must distribute its transmissions over the minimum number of hopping channels specified in this section.

No matter in short transmission bursts or transmission continuous data, the EUT can use DSP to make employ all available hopping channels during each transmission through analog or A/D interface. Because usually the EUT (2.4G WIRELESS Transceiver) usually use short transmission bursts, in order to meet standard request, we only use 64 hopping channels

15.247(h) The incorporation of intelligence within a frequency hopping spread spectrum system that permits the system to recognize other users within the spectrum band so that it individually and independently chooses and adapts its hopsets to avoid hopping on occupied channels is permitted. The coordination of frequency hopping systems in any other manner for the express purpose of avoiding the simultaneous occupancy of individual hopping frequencies by multiple transmitters is not permitted.

The EUT will produce one set randomly permutation before every transmitter, it will compare the 1-3 sec of the other users within the spectrum band and the randomly permutation for hopping frequencies list before transmit. If the similarity percentage is more than 50%, it will process another time randomly permutation.

Natural Zhou 12/8/2009

Dongguan Siliten Electronics CO., LTD

Name: Natural Zhou

Title: Electronic Engineer

Tel: +86-769-86338696 EXT: 8833

Email: zr_zhou@siliten.com