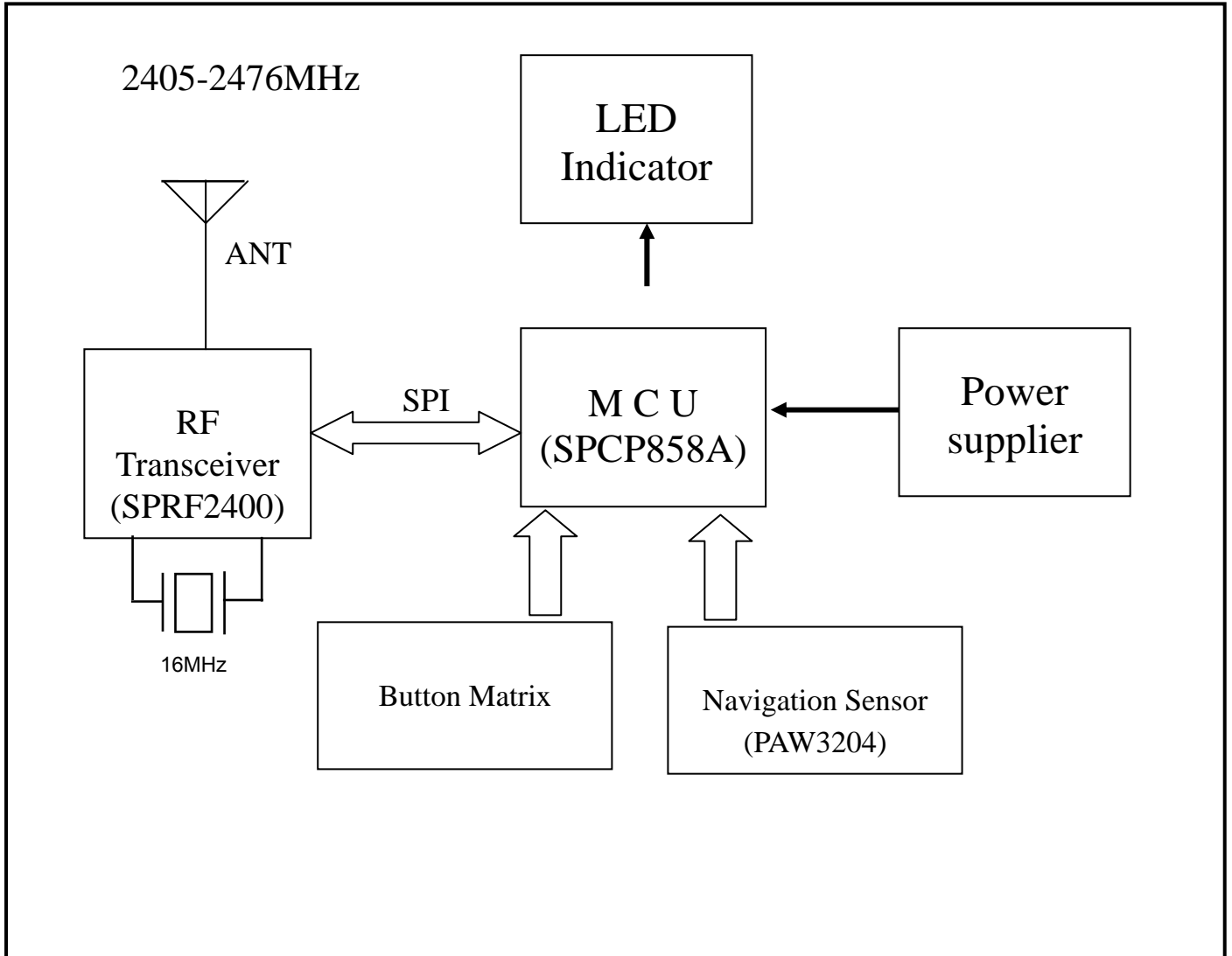
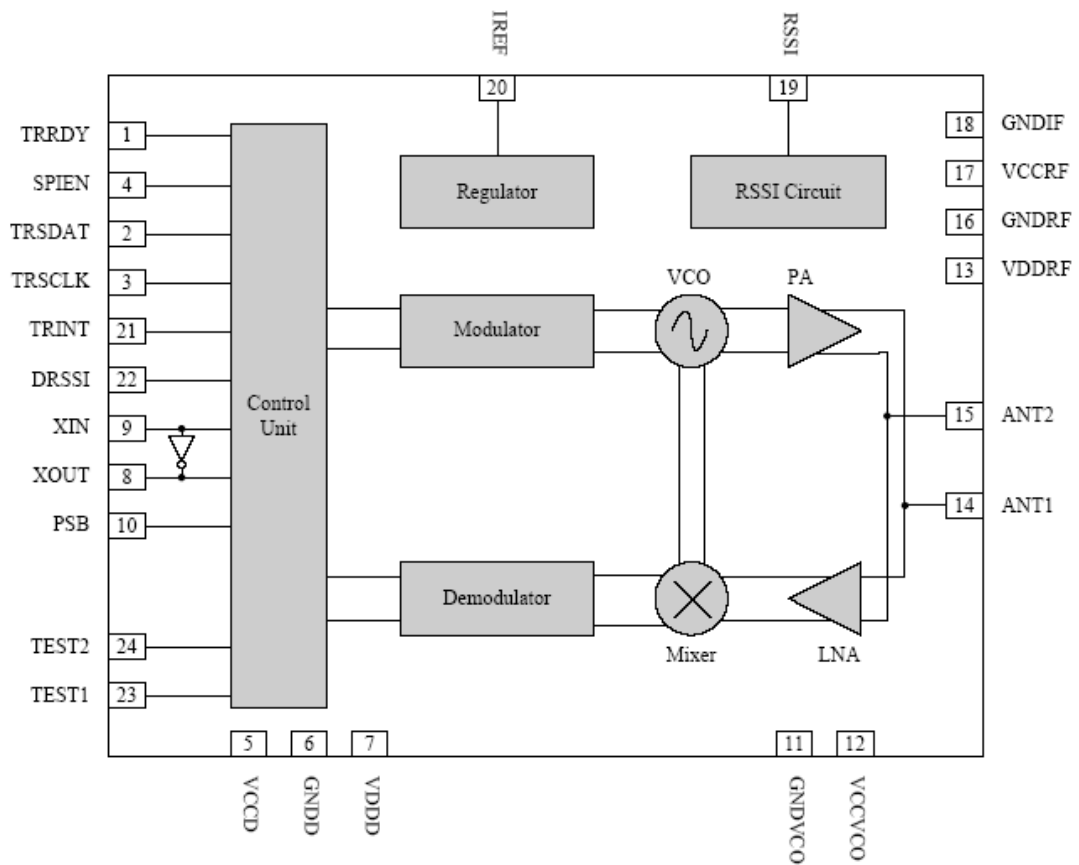


DM-3157RL Circuit Diagram





Block Diagram
 SPRF2400
 2.4GHz RF Transceiver