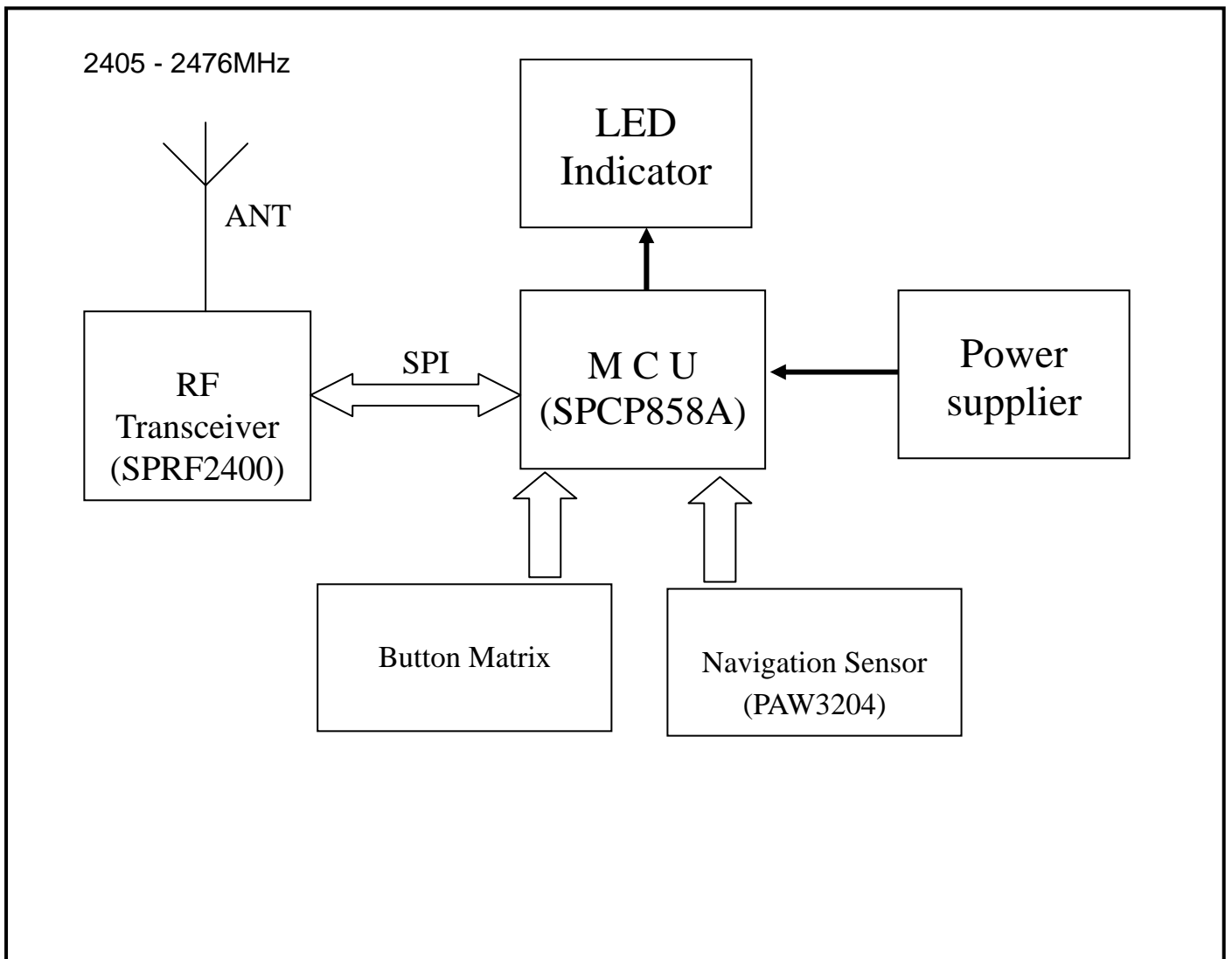
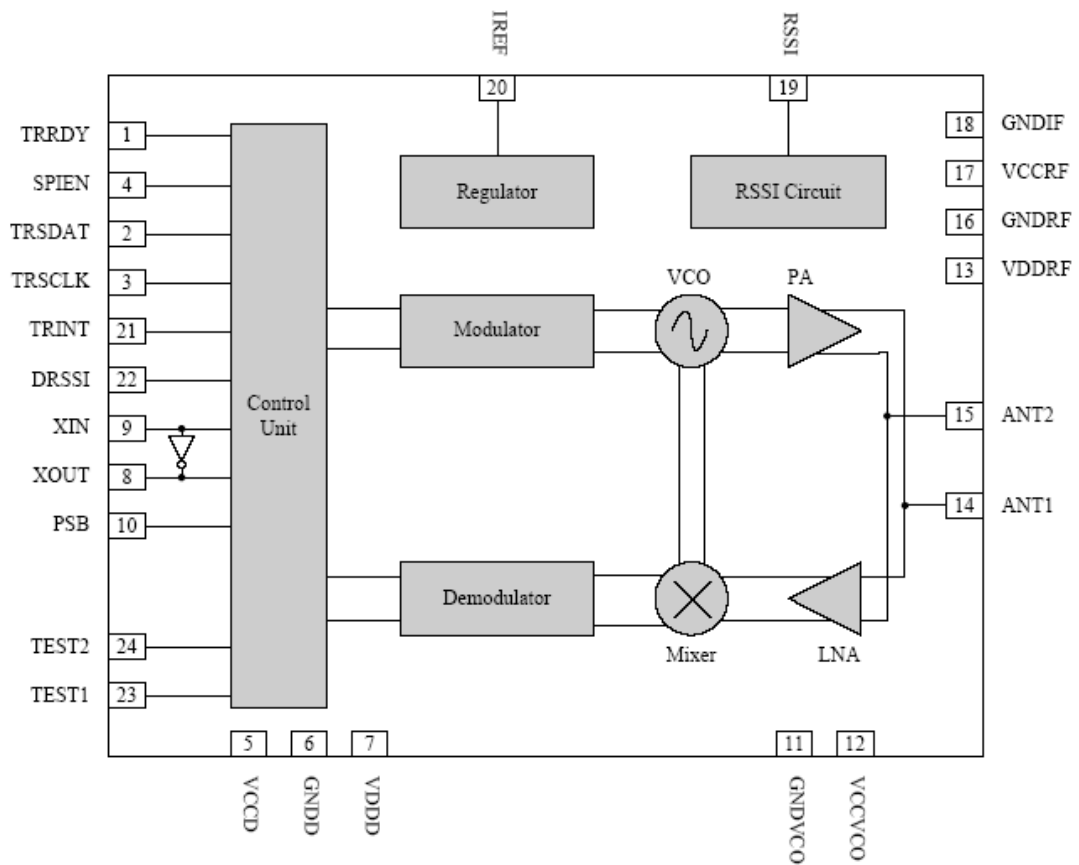


# DM-3070RL Block Diagram





Block Diagram  
 SPRF2400  
 2.4GHz RF Transceiver