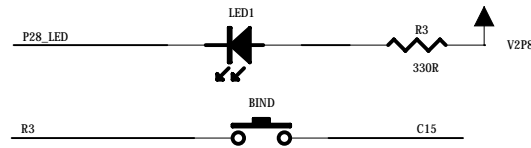
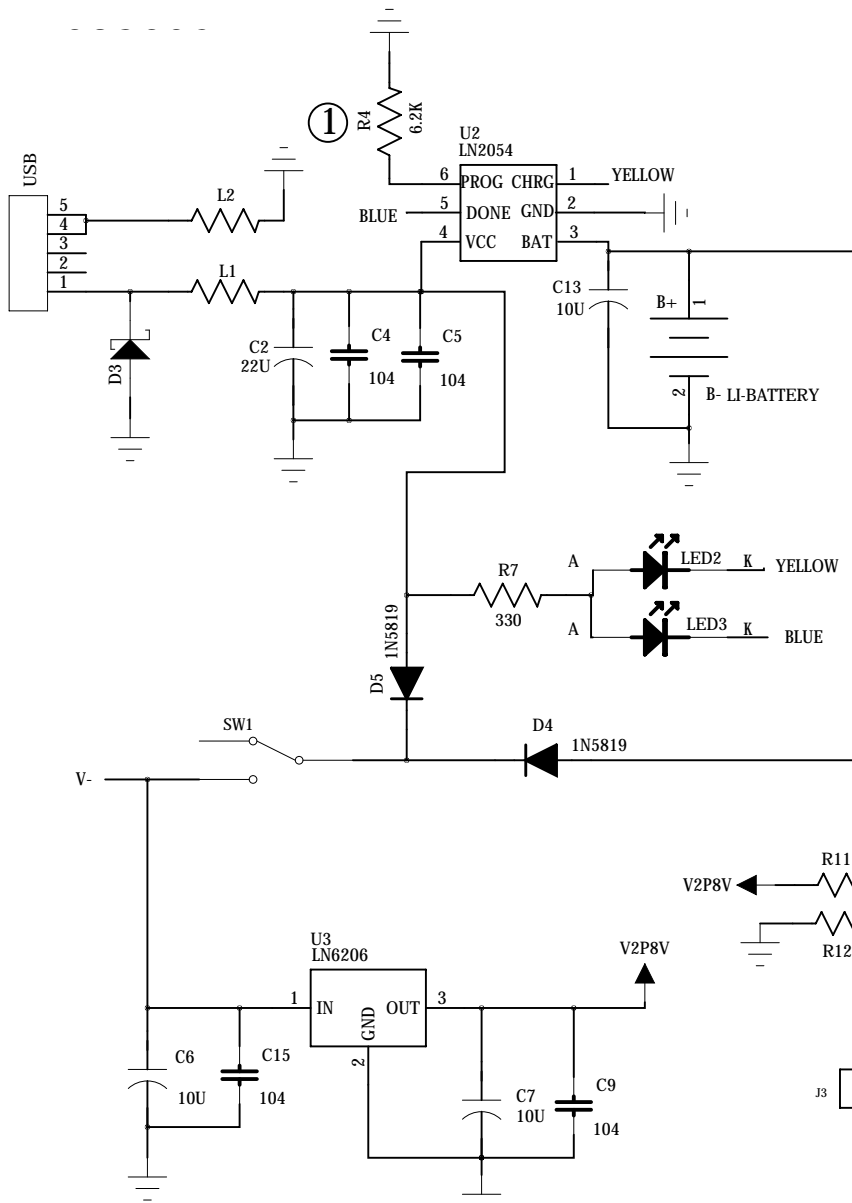
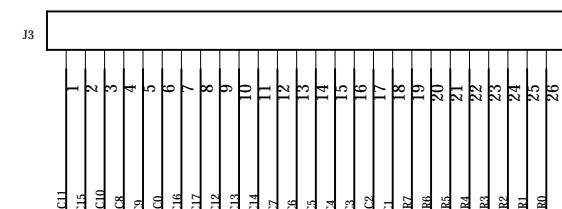
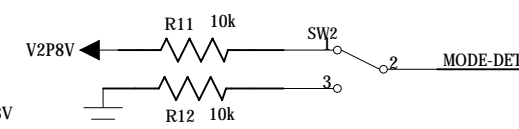
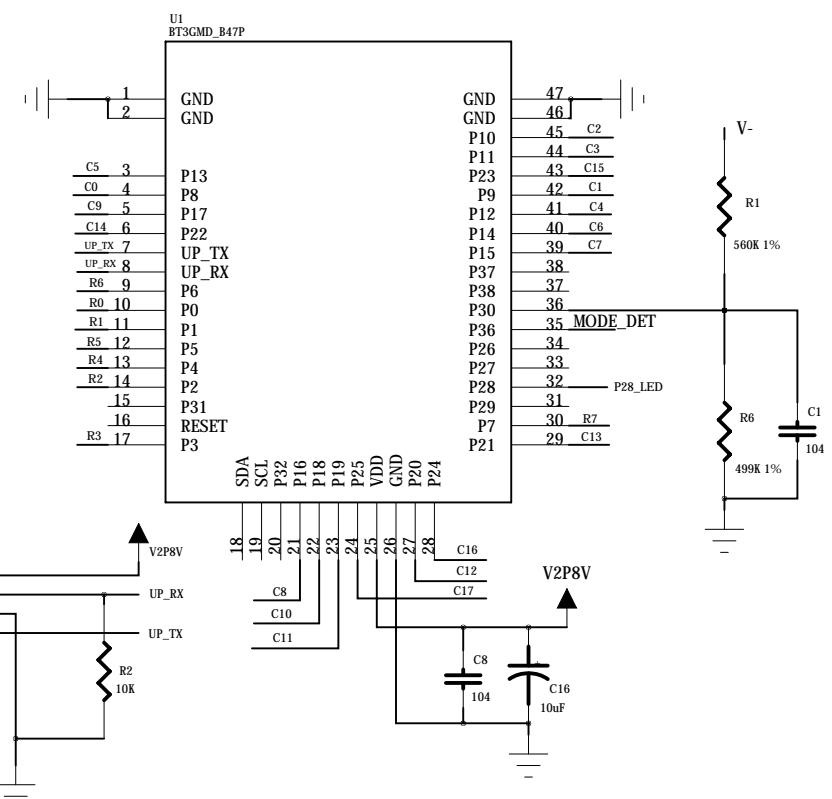


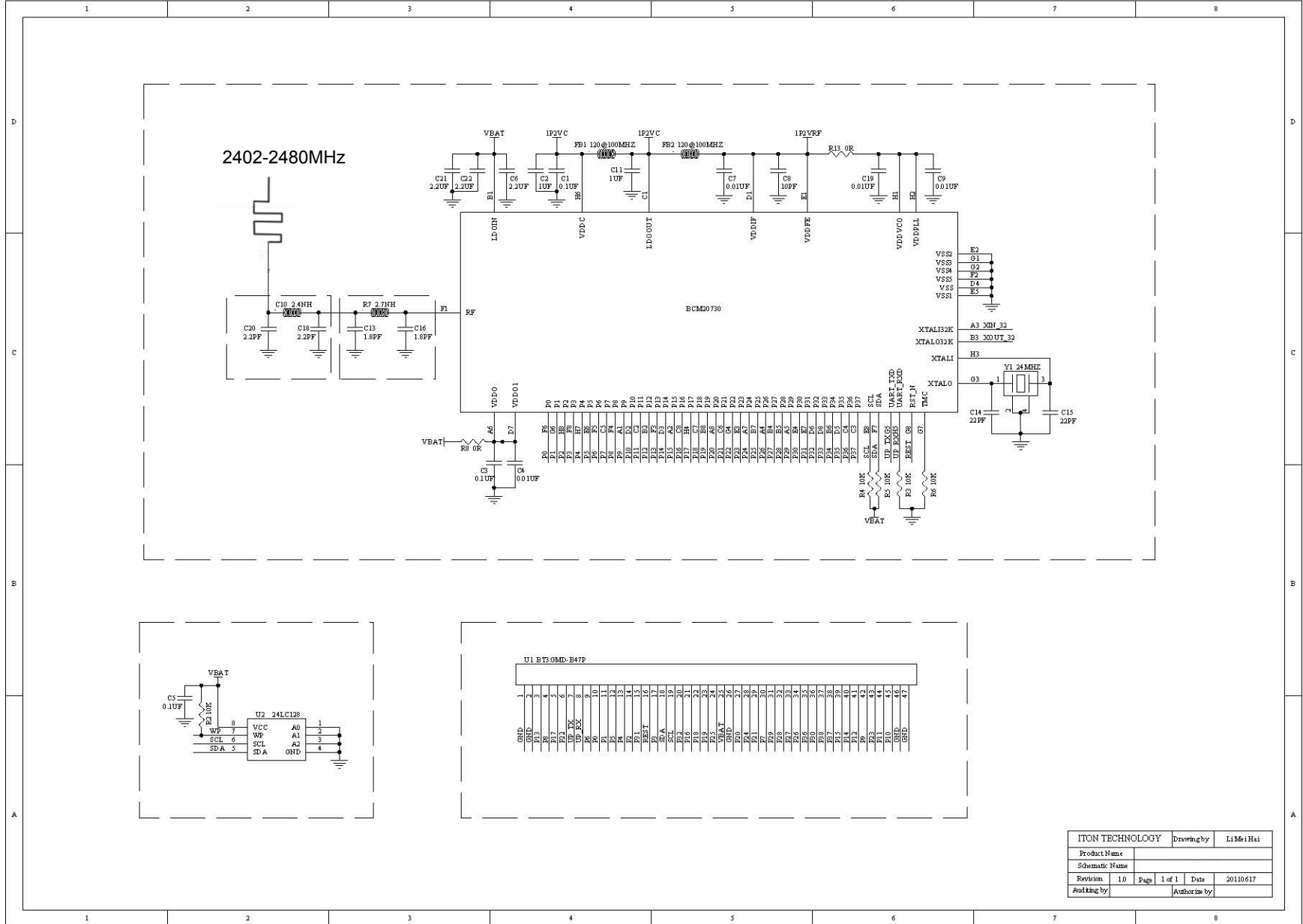
2603694



MARK	ISSUE	DATE	REVER
①	Modified R4 Value	07/17/13	B

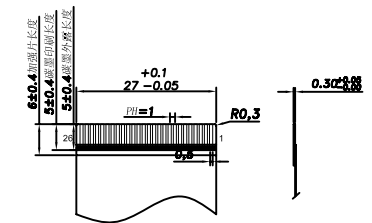
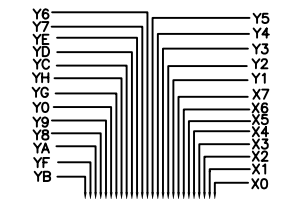
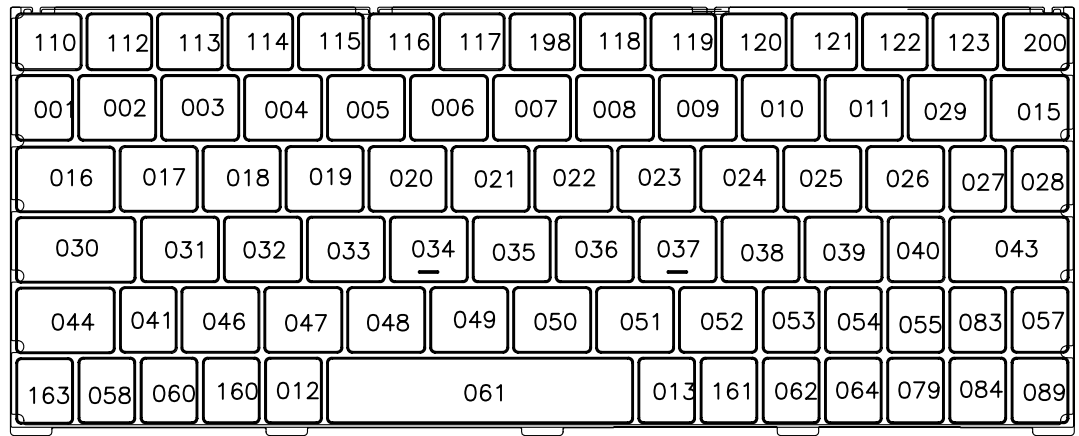


PART NO.	RK-3694BI	QTY	MATL	TREATING	REMARK
SCALE:	----				
UNIT:	----				
DRAWN:					
DESIGNER:					
CHECKED:					
APPROVED:					
SHEET: 1 of 1			TITLE: RK-3694BI Schematic		
DRAWING NO.: RK-3694BI_Schematic_B					



ITON TECHNOLOGY		Drawing by	LiMeiHai
Product Name			
Schematic Name			
Revision	1.0	Page	1 of 1
Authoring by		Date	20110617
		Authorize by	

MARK	ISSUE	DATE	REVER
⚠	Modified Membrane Length	6/5/13	0.4



carbone is down

\*LIST OF KEY MATRIX\*

	Y0	Y1	Y2	Y3	Y4	Y5	Y6	Y7	Y8	Y9	YA	YB	YC	YD	YE	YF	YG	YH
X0	<del>126</del>	017	018	019	020	023	024	025	026	<del>125</del>	<del>014</del>	<del>091</del>	<del>096</del>	<del>101</del>	<del>106</del>	<del>190</del>	<del>171</del>	<del>150</del>
X1	<del>194</del>	016	030	114	021	022	028	118	027	198	015	<del>092</del>	<del>097</del>	<del>102</del>	<del>107</del>	044	060	<del>177</del>
X2	<del>164</del>	031	032	033	034	037	038	039	040	058	029	<del>093</del>	<del>098</del>	<del>103</del>	<del>108</del>	057	<del>172</del>	064
X3	<del>197</del>	110	<del>045</del>	115	035	036	117	<del>401</del>	041	160	<del>202</del>	061	<del>099</del>	104	083	<del>180</del>	<del>173</del>	<del>192</del>
X4	062	046	047	048	049	052	053	054	<del>042</del>	<del>203</del>	043	122	<del>090</del>	<del>100</del>	<del>187</del>	<del>181</del>	<del>174</del>	<del>186</del>
X5	<del>191</del>	<del>131</del>	<del>132</del>	<del>133</del>	050	051	<del>056</del>	<del>162</del>	055	161	<del>124</del>	084	089	<del>076</del>	079	<del>182</del>	<del>175</del>	<del>193</del>
X6	163	001	112	113	006	007	013	119	012	<del>204</del>	120	200	<del>075</del>	<del>085</del>	<del>080</del>	<del>183</del>	<del>185</del>	<del>170</del>
X7	116	002	003	004	005	008	009	010	011	123	121	<del>195</del>	<del>196</del>	<del>086</del>	<del>081</del>	<del>184</del>	<del>176</del>	<del>151</del>

PART NO	QTY	MAT'L	TRETING	REMARK
SCALE: 1:1	TOLERANCE : UNSPECIFIED .XXX ±0.05 .XX ±0.1 .X ±0.15 ANGLE ±0.25			
UNIT: mm				
DRAWN:				
DESIGNER:	TITLE: RK-3694/96BI Matrix		SHEET 1 of 1	
CHECKED:	DRAWING NO:			
APPROVED:				