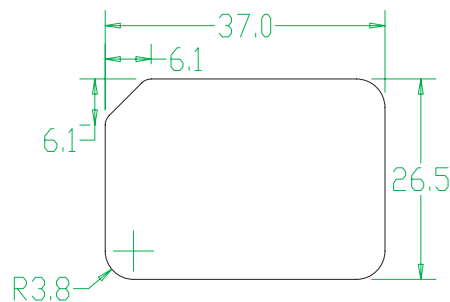
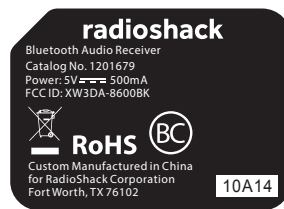


MARK	ISSUE	DATE	REV
⚠			

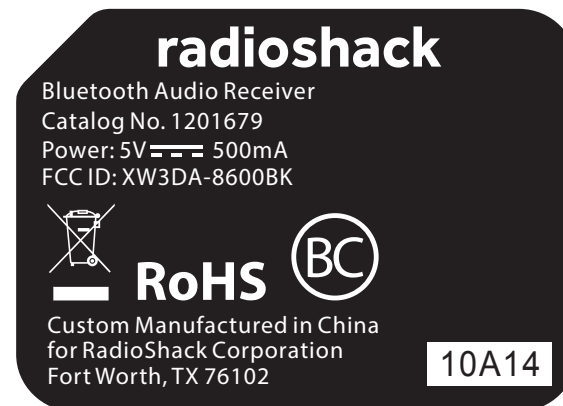
1201679



Label Die Line

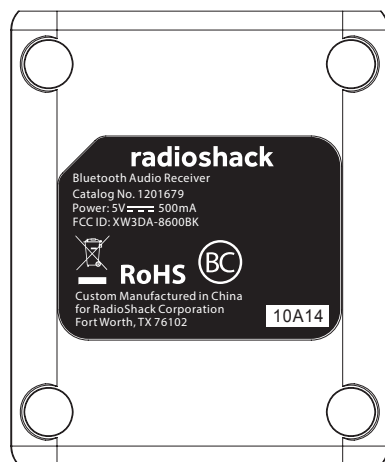


1:1



2:1

10A14
 Year(依制造年份变动)
 Customer(固定)
 Month(依制造月份变动)



NOTES:

1. MATERIAL: 80G COATED ART PAPER AND GLOSS FILM
2. Print: White text in Black background
3. SIZE: 37*26.5mm
4. Tolerance: +/- 0.1

SELECT LEVEL					PART NO.	DESCRIPTION	QTY	MAT'L	REMARK
DIM.	A	B	C	D	SCALE:FREE		SHEET		
	~5	±0.03	±0.05	±0.08	±0.20		UNIT: MM		
	5~10	±0.05	±0.08	±0.10	±0.25	DRAWN:			
	10~50	±0.08	±0.10	±0.15	±0.50	CHECKED:	TITLE	DA8600BK FCC label	
	50~100	±0.10	±0.15	±0.20	±0.80	APPROVED:	DWG NO.		
100~	±0.10	±0.15	±0.20	±1.00					