

Audio Block

layout footprint

DLT1160A

NFC Block

DC-031A

Power Block

RF01

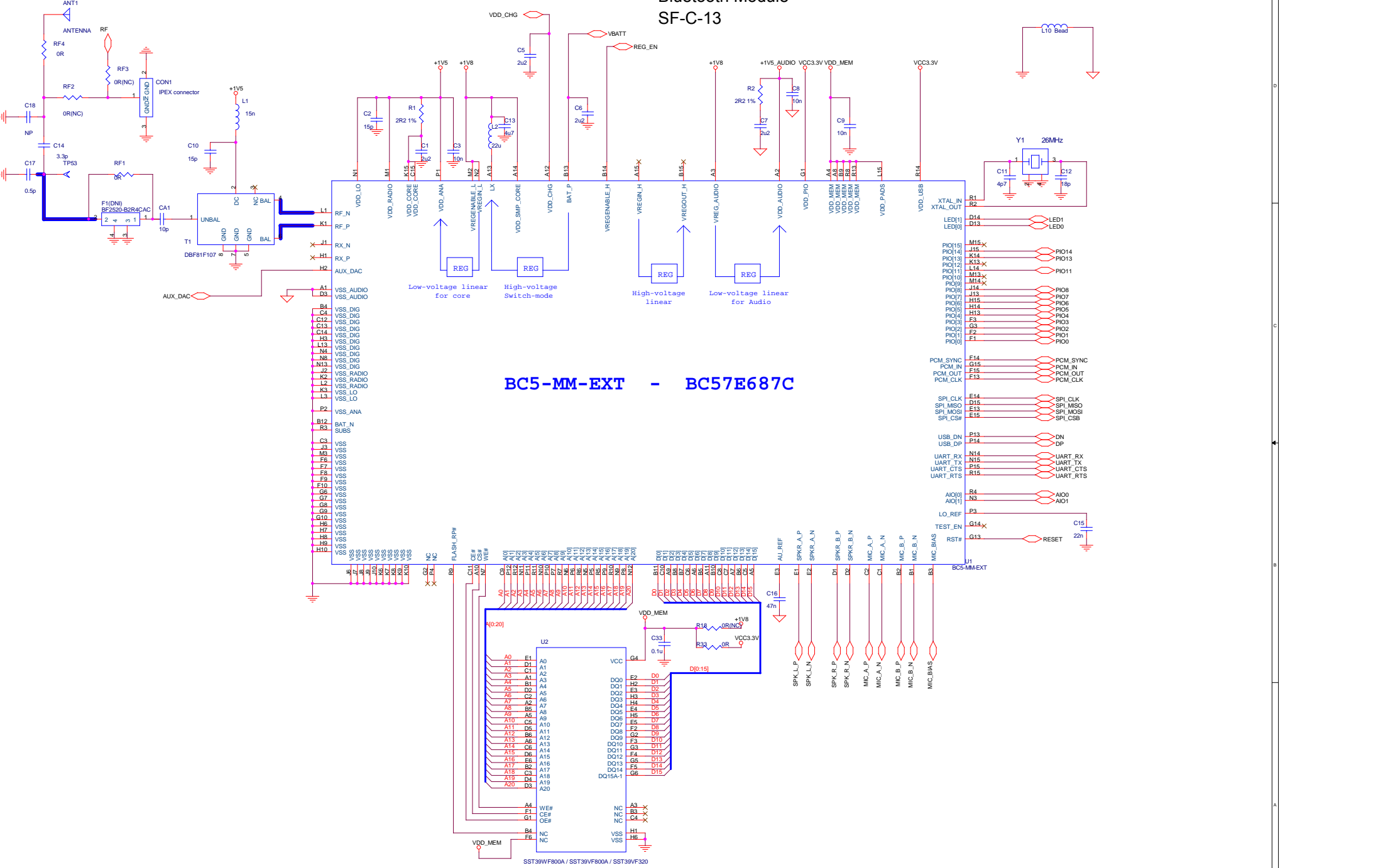
SMTAGE0R27

NFC antenna
13.56MHz

NFC Tag Module connect to J5

2402MHz - 2480MHz

Bluetooth Module SF-C-13



BC5-MM-EXT - BC57E687C

**Flash memory
(16Mbit)**

- PI0[15] M15 X
- PI0[14] J15
- PI0[13] K13 X
- PI0[12] L14
- PI0[11] M13 X
- PI0[10] M14 X
- PI0[9] J14
- PI0[8] J13
- PI0[7] H15
- PI0[6] H14
- PI0[5] H13
- PI0[4] F3
- PI0[3] F2
- PI0[2] F1
- PI0[1] F1
- PI0[0] F1
- PCM_SYNC F14
- PCM_IN G15
- PCM_OUT F15
- PCM_CLK F13
- SPI_CLK E14
- SPI_MISO D15
- SPI_MOSI E13
- SPI_CS# F15
- USB_DN P13
- USB_DP P14
- DN DP
- UART_RX N14
- UART_TX N15
- UART_CTS P15
- UART_RTS R15
- AIO[0] R4
- AIO[1] N3
- LO_REF P3
- TEST_EN G14 X
- RST# G13
- RESET

SST39WF800A / SST39VF800A / SST39VF320