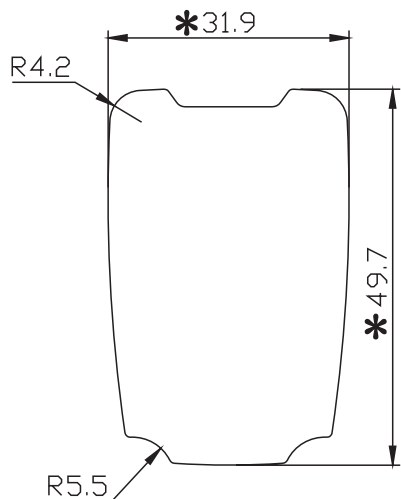


MARK	ISSUE	DATE	REV
△			

1201669



Label Die Line



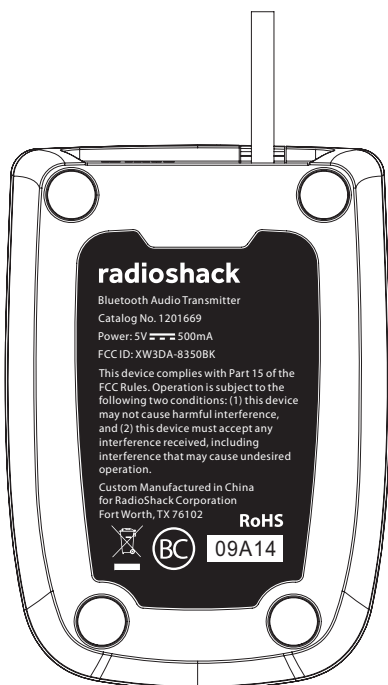
1:1



月份, 年份由PMC给出信息而定



2:1



NOTES:

- MATERIAL:80G COATED ART PAPER AND GLOSS FILM (80G铜版纸+光膜)
- 背面背胶, 粘性强度不可低于5.0kgf/inch²
- Print: White text in Black background (黑底白字)
- SIZE: 49.7*31.9mm (Tolerance:+/-0.1)
- THROUGH ALCOHOL, ADHESION TEST (能通过酒精粘合力测试)
- **为管控尺寸
- 符合旭田最新版本 产品中环境管理物质保证书

SELECT LEVEL					PART NO.	DESCRIPTION	QTY	MAT'L	REMARK
DIM.	A	B	C	D	SCALE:FREE		SHEET		
~5	±0.03	±0.05	±0.08	±0.20	UNIT: MM		01 OF 01		
5~10	±0.05	±0.08	±0.10	±0.25	DRAWN:				
10~50	±0.08	±0.10	±0.15	±0.50	CHECKED:		TITLE	DA8350BK FCC label	
50~100	±0.10	±0.15	±0.20	±0.80	APPROVED:		DWG NO.	394-00290-001	
100~	±0.10	±0.15	±0.20	±1.00					