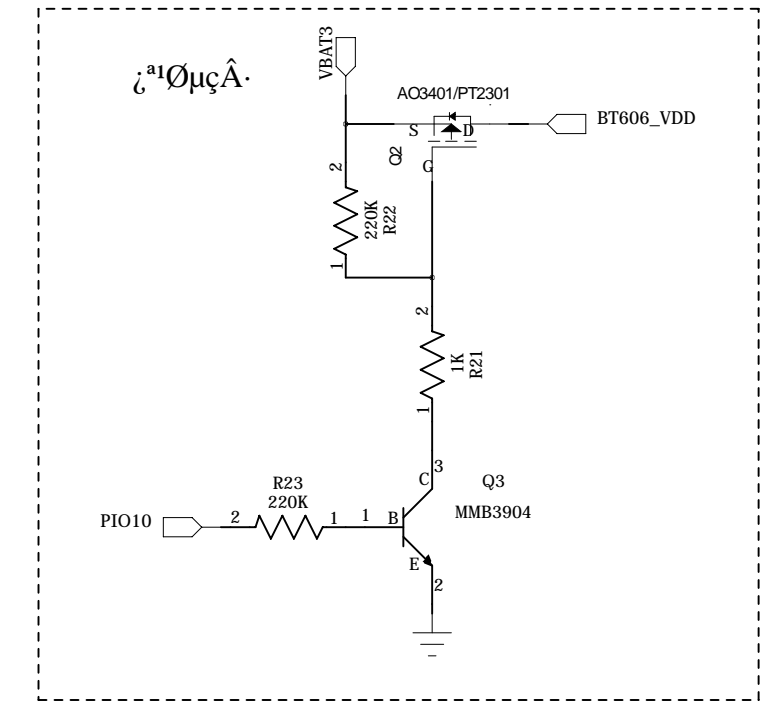
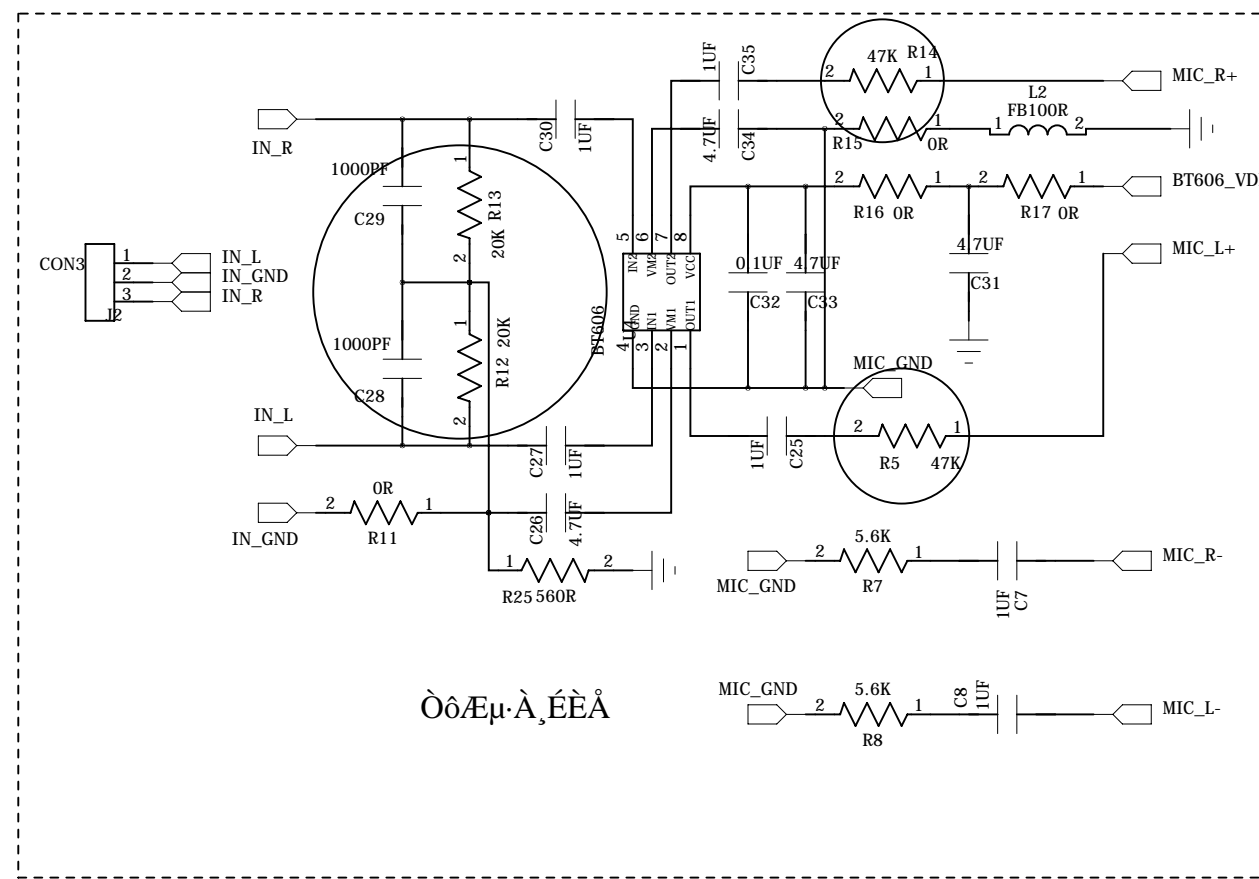
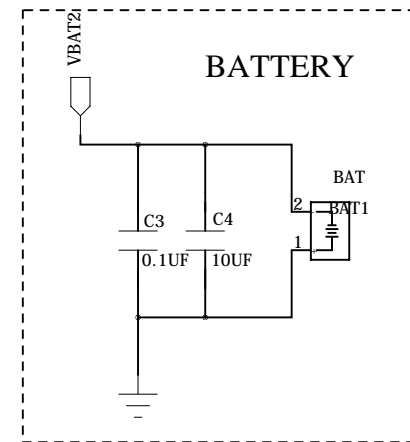
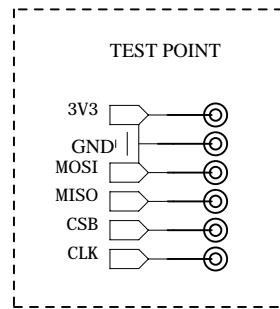
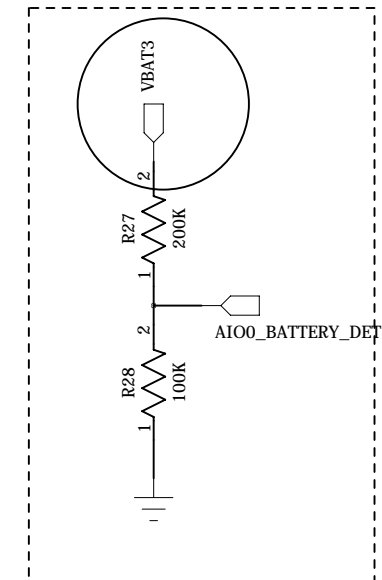
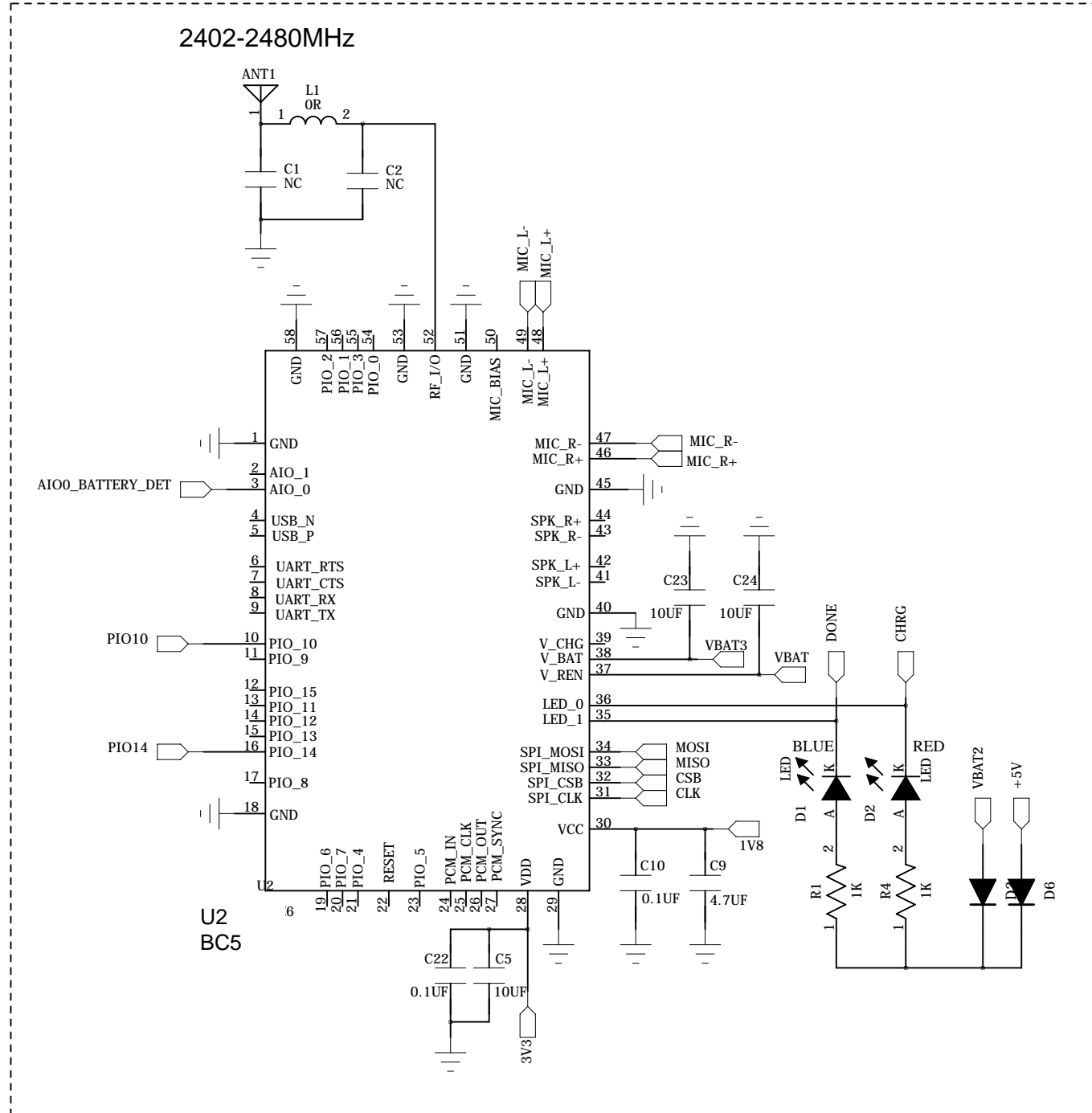
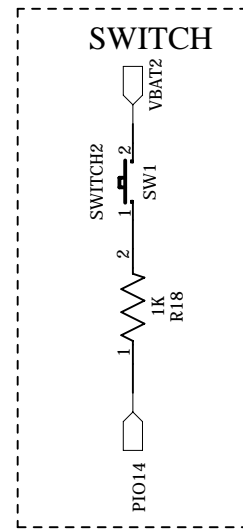
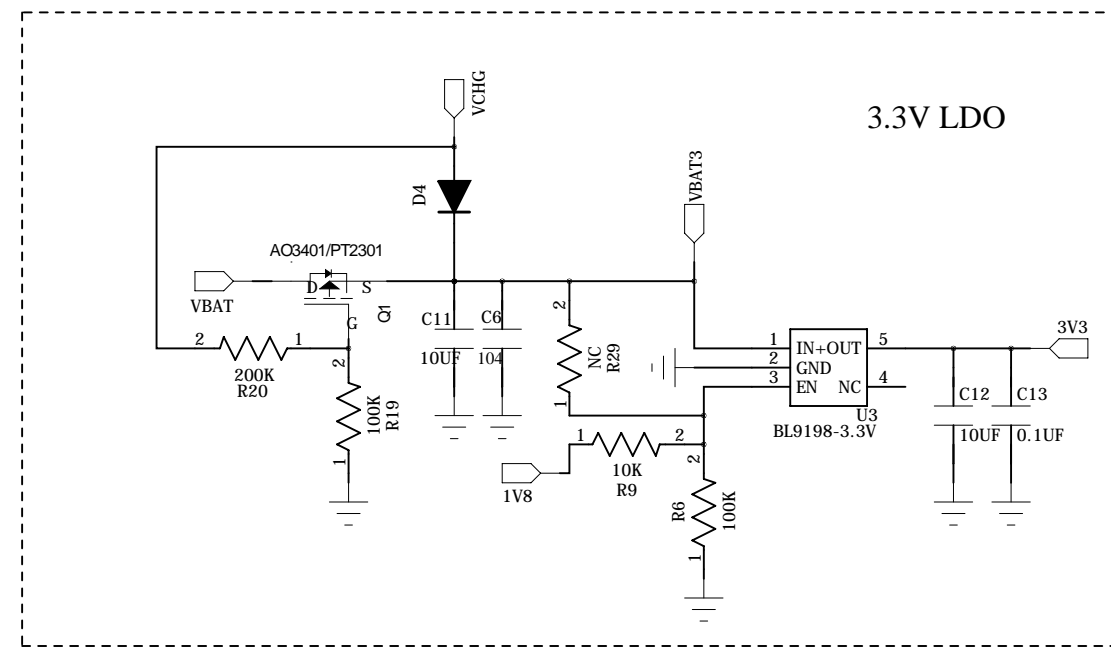
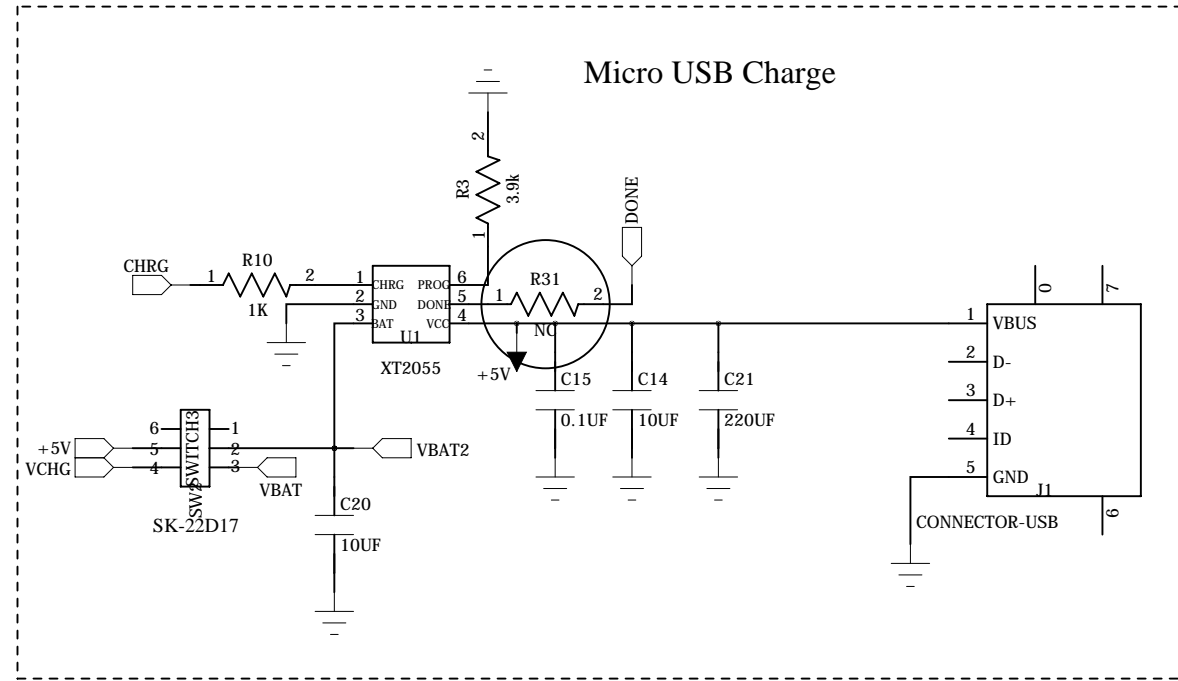


REVISION RECORD			
LTR	ECO NO:	APPROVED:	DATE:



COMPANY: **Bestzlink**

TITLE: **DA8350BK**

DRAWN: **Jason Chan**
 CHECKED: **<Checked By>**
 QUALITY CONTROL: **<QC By>**
 RELEASED: **<Released By>**

DATED: **2014.09.26**
 DATED: **<Checked Date>**
 DATED: **<QC Date>**
 DATED: **<Release Date>**

CODE: **<Code>** SIZE: **A2** DRAWING NO: **<Drawing Number>** REV: **<Revision>**

