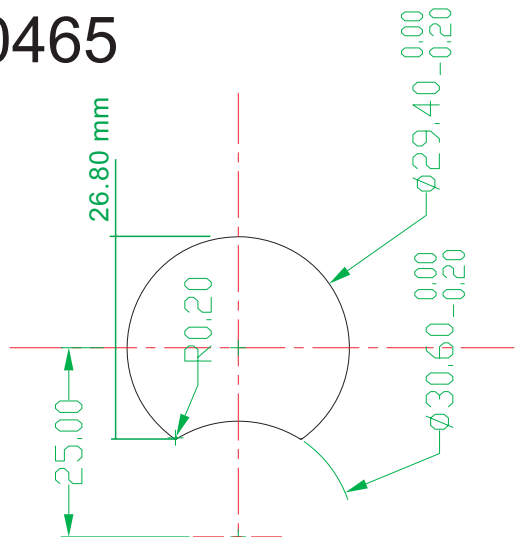


1500465



1:1



2:1



10B13

代表年份(随制造年份变动)
代表版本(固定)
代表月份(随制造月份变动)

NOTES:

- 1.MATERIAL:80G COATED ART PAPER AND FILM (80G铜版纸+亮膜)
- 2.Print: White text in Black background
- 3.SIZE:26.8*29.4mm(公差 : +/-0.1)
- 4.THROUGH ALCOHOL, ADHESION TEST(能通过酒精粘合力测试)

MARK	ISSUE	DATE	REVER
△			

PART NO	DESCRIPTION	QTY	MAT'L	TRETING	REMARK
SCALE: 1:1	TOLERANCE : UNSPECIFIED				
UNIT: mm	.XXX ±0.05 .XX ±0.1 .X ±0.15 ANGLE ±0.25 +0.5°				
DR AWN:	DESIGNER:			TITLE: DA-8300BK	
CHECKED:	APPROVED:	SHEET 1 of 1		FCC LABEL	
		DR AWING NO:		394-00249-001	