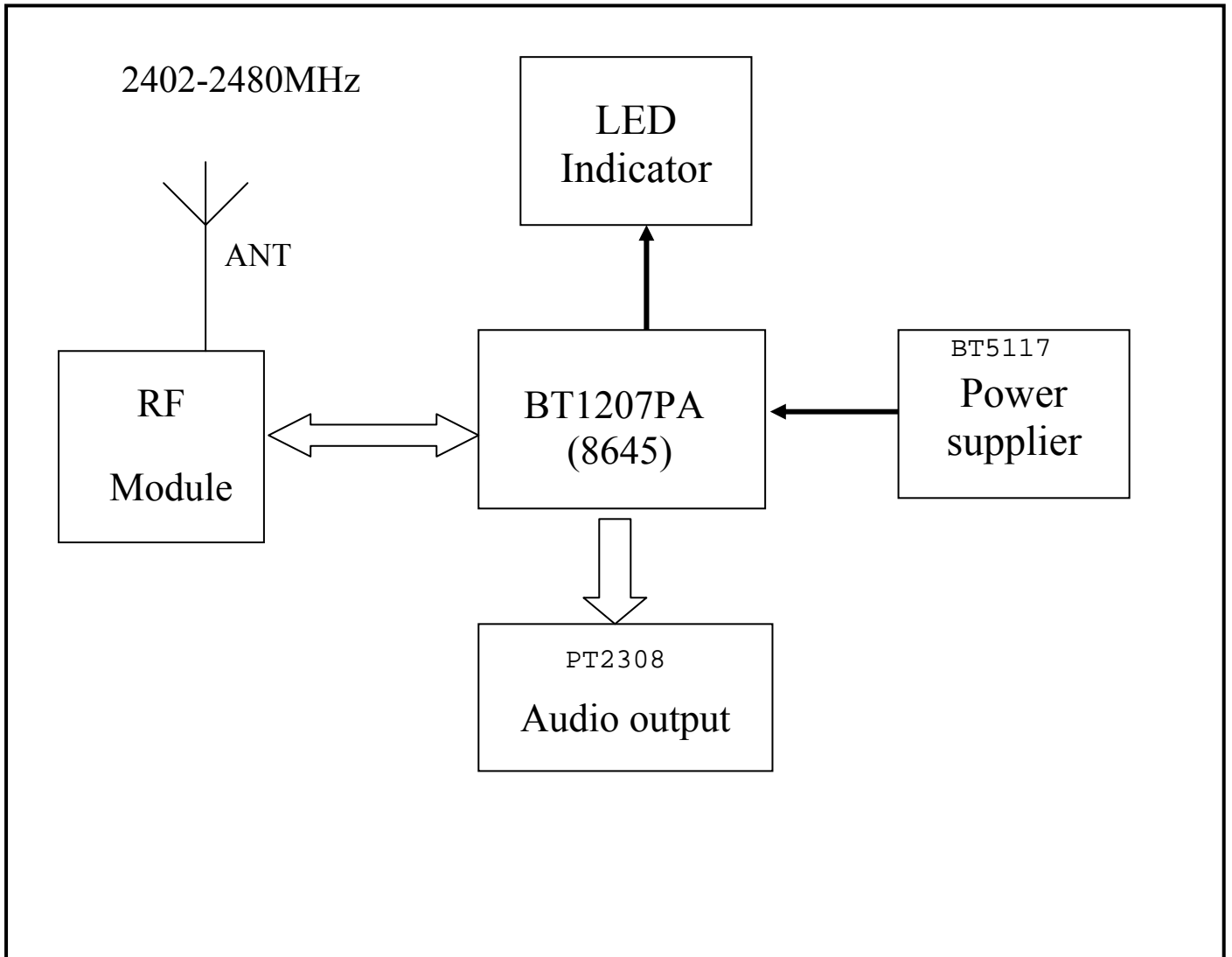


# 1500465(DA-8300BK) Block Diagram



# RF Module portion

