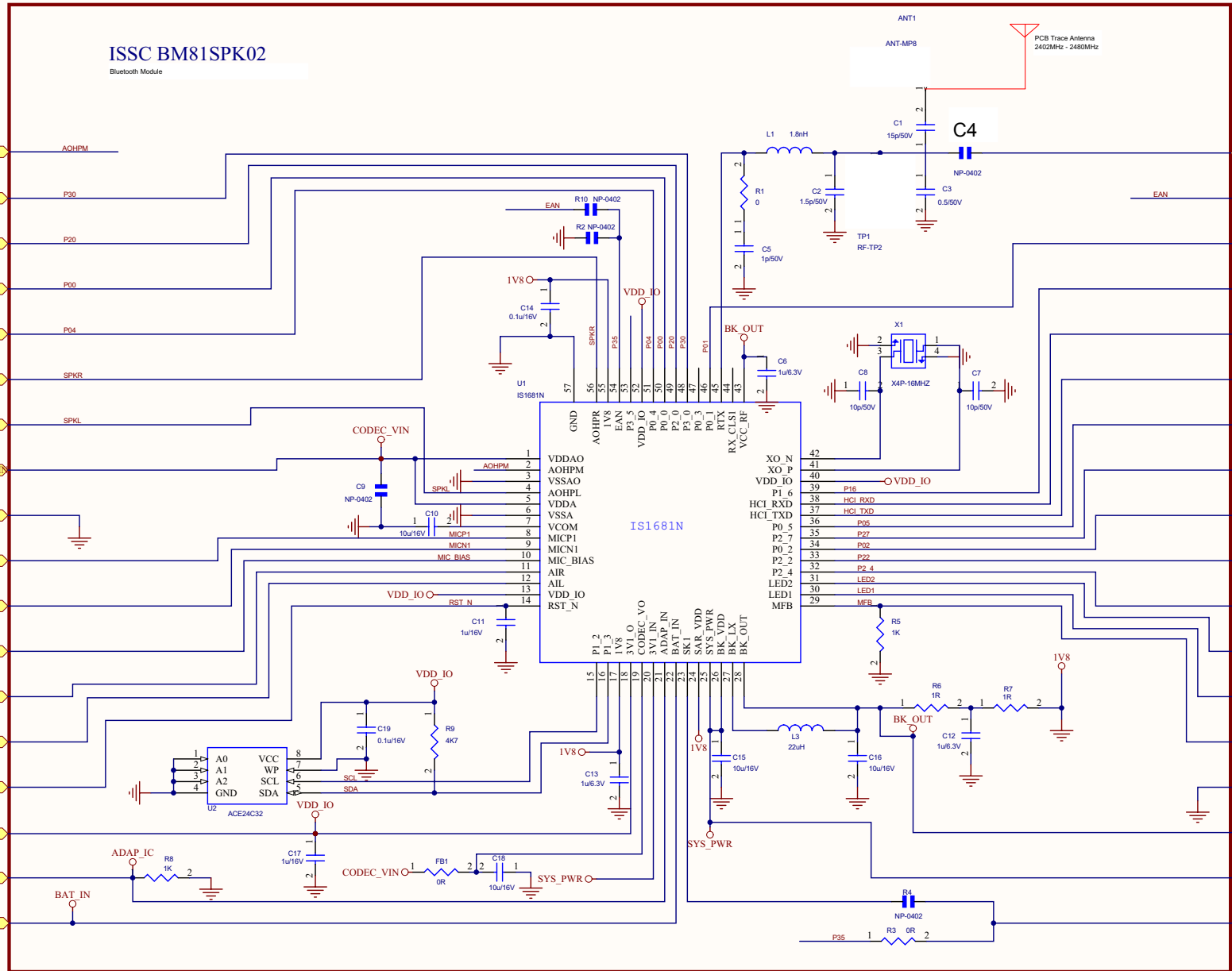


Title		
Size	Number	Revision
A4		
Date:	20-Feb-2013	Sheet of
File:	E:无线音响案子蓝牙模组方案PCB file	01.dwg



Title		
Size	Number	Revision
A3		
Date:	2013/2/26	Sheet of
File:	D:\1681\BM81SPK02 CIRCUIT.SCHDD	Drawn By: