

XRocker[®]

Torque



User Manual Item no: 5105801

Need Help? Email: Service@XRockerNation.co.uk

Phone: 01274 683 109 **www.XRockerNation.co.uk**

IMPORTANT: You must keep your original retail receipt as proof of purchase.

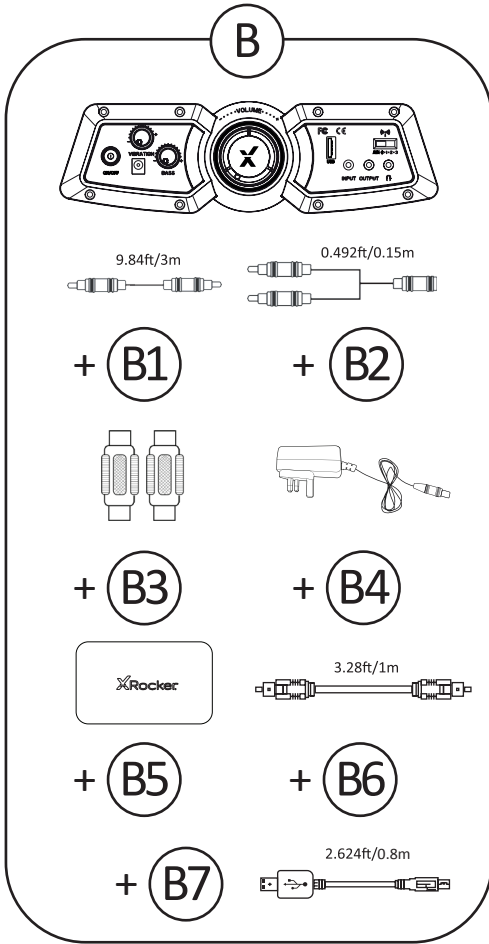
Welcome to X Rocker!

Thank you for purchasing this X Rocker gaming chair. You are now close to enhancing your favourite games with **glorious audio!**

To get started, please assemble the chair using the assembly instructions on the separate leaflet and then follow the instructions in this manual to **get rocking!**

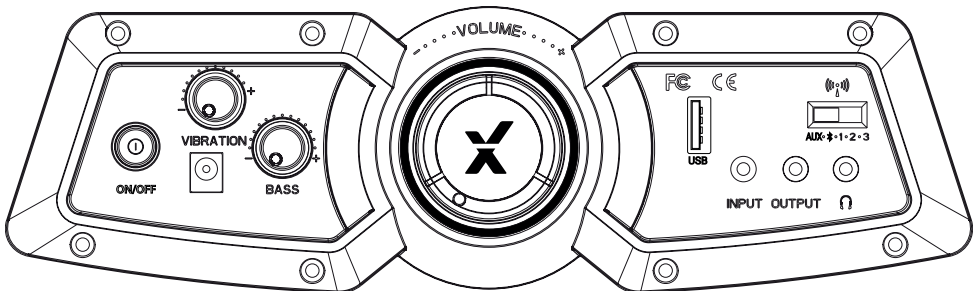
Table of contents

- 3** Box contents and control panel overview
- 4** Wireless connection guide: PS4
- 5** Wireless connection guide: Xbox One
- 6** Wireless connection guide: TV (All systems)
- 7** Wired connection guide: TV (All consoles)
- 8** Wired connection guide: PS4 Controller only
- 9** Bluetooth connection guide
- 10** Troubleshooting tips
- 11** Health and safety information
- 12** Power supply safety information



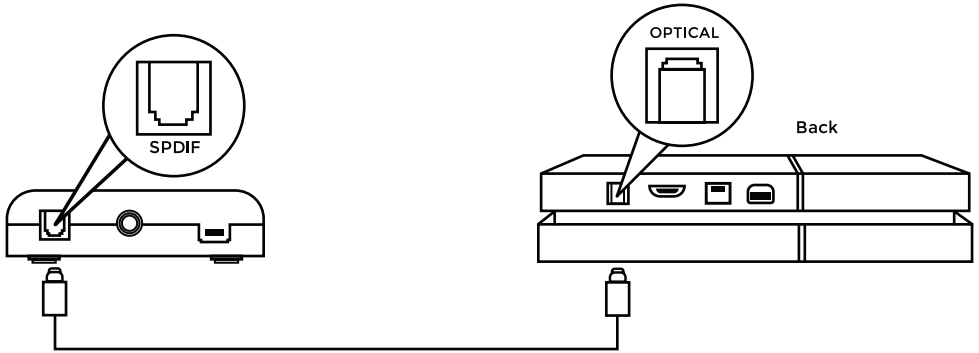
- B1 - 3m 3.5mm to 3.5mm Audio cable
- B2 - 15cm RCA to female 3.5mm audio cable
- B3 - RCA female to female adapters
- B4 - Power supply Cable
- B5 - Wireless DAC Transmitter
- B6 - 1m Optical Toslink Audio Cable
- B7 - Micro USB Cable

Control panel overview

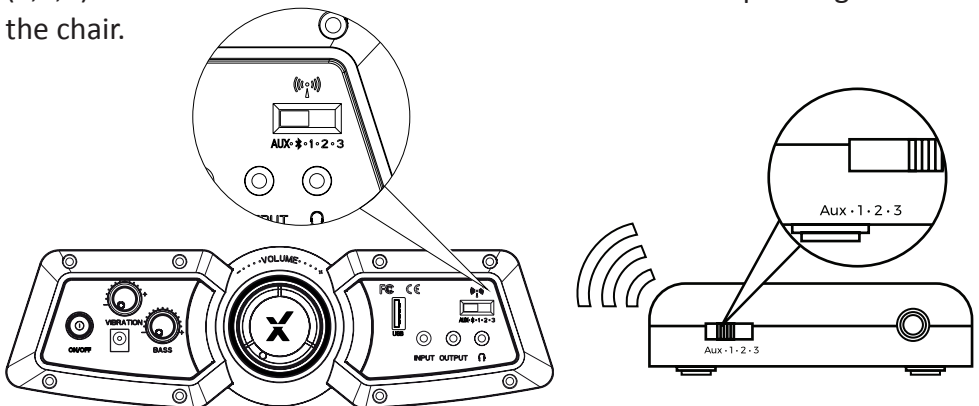


Wireless connection guide: PS4

Step 1: Make sure that the PS4™ system is switched OFF. Insert the micro USB cable into the X Rocker DAC converter and the other end into one of the front USB ports on the PS4™ system. Remove the clear plastic covers from both ends of the optical cable. Input one end of the optical cable into the X Rocker Wireless DAC (Slot titled SPDIF) and the other into the Optical SPDIF connector on the PS4™ system.



Step 2: Turn the PS4™ system back on. Select one of the wireless bands (1,2,3) on the wireless DAC and then switch to the corresponding band on the chair.

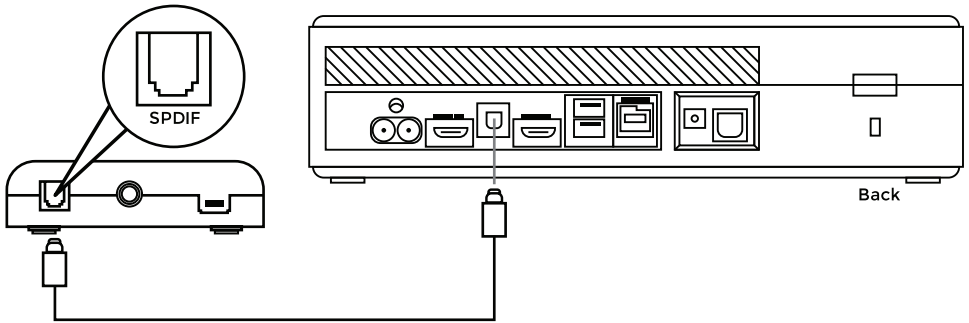


Step 3: On the main PS4™ menu screen Select (Settings) > [Sound and Screen] > [Audio Output Settings] > [Primary Output Port] Change this to [Digital Optical] > choose AAC.

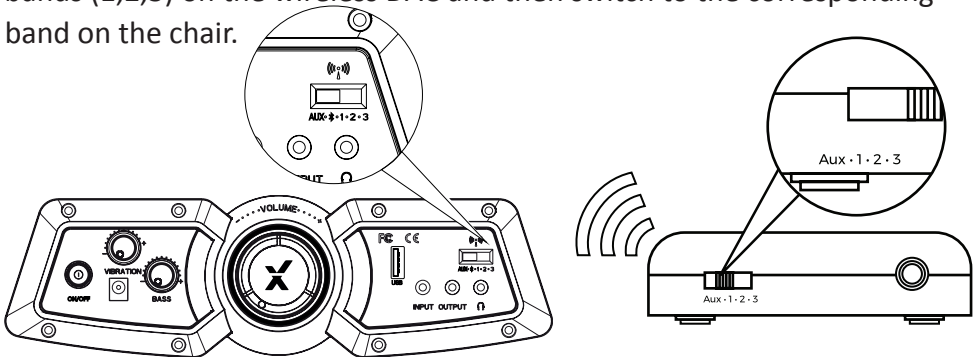
Save, exit and enjoy!

Wireless connection guide: Xbox One

Step 1: Make sure that the Xbox One™ system is switched OFF. Insert the micro USB cable into the X Rocker DAC converter and the other end into one of the back USB ports on the Xbox One™ system. Remove the clear plastic covers from both ends of the optical cable. Input one end of the optical cable into the X Rocker Wireless DAC Slot (labelled SPDIF) and another into the Optical SPDIF connector on the Xbox One™ system.



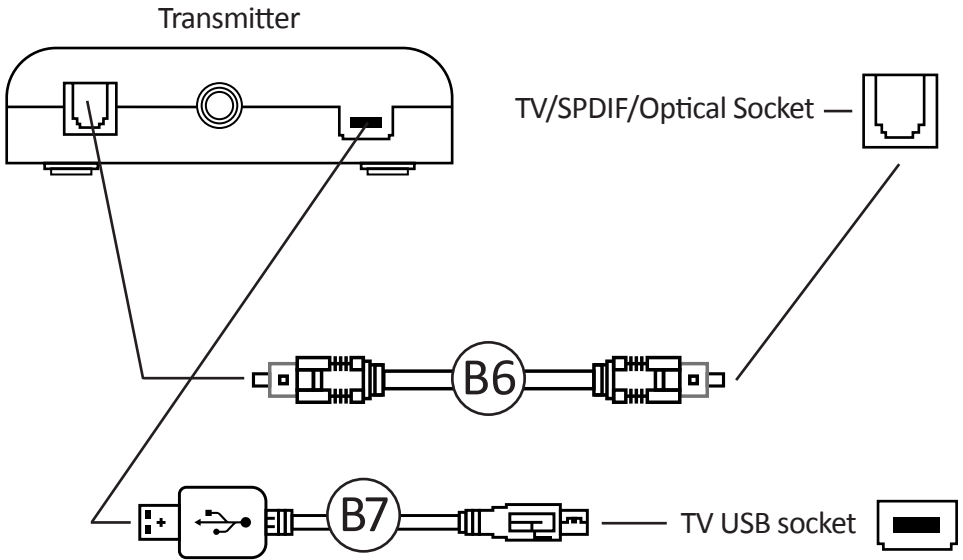
Step 2: Turn the Xbox One™ system back on. Select one of the wireless bands (1,2,3) on the wireless DAC and then switch to the corresponding band on the chair.



Step 3: On the Xbox One™ menu screen, Select (Settings) > [All Settings] > [Display and Sound] > [Audio Output] > under [Digital Audio], select [Optical Audio] and set it to [Stereo Uncompressed]

Save, exit and enjoy!

Wireless connection guide: TV (All systems)

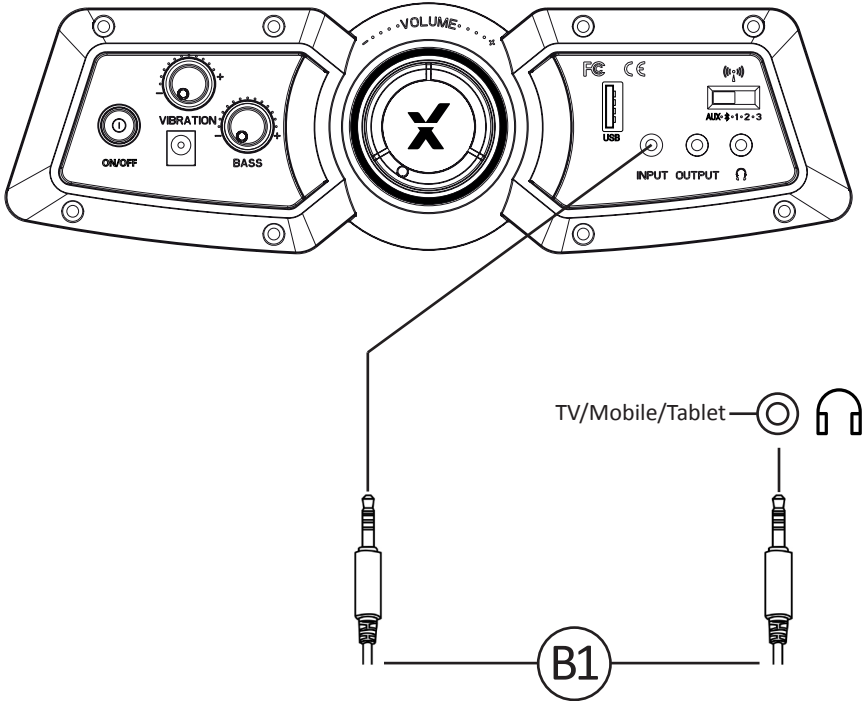


1. Connect **B6** Optical Cable to the **B5** Wireless DAC transmitter's SPDIF Port.
2. Connect other end of **B6** Optical Cable to the TV Optical socket.
3. Connect Micro USB Cable to the transmitter and other end to an available USB socket on the TV.
4. Once connected to your TV, increase volume to 50% of the maximum for the best sound level.**

* N.B: If your TV does not feature an SPDIF or OPTICAL OUT Socket then you can instead use the 3.5mm audio connection to connect to a headphone socket.

** Depending on your TV you may need to enable the Optical output separately.

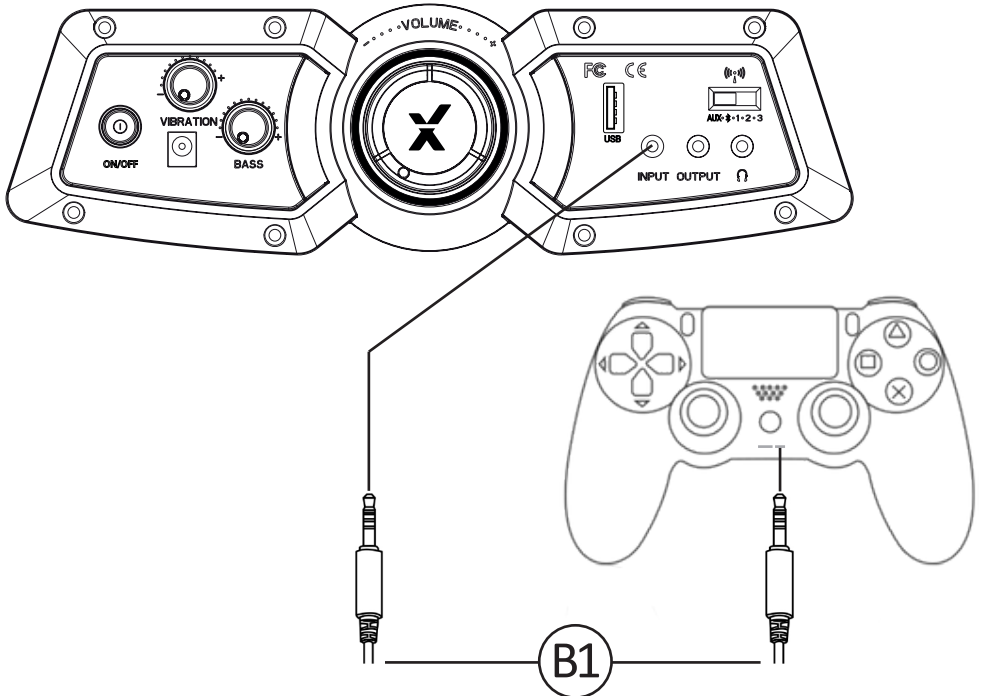
Wired connection guide: TV (All consoles)



1. Connect **B1** Cable to X Rocker control panel MP3 INPUT sockets.
2. Connect other end of **B1** 3.5mm end into the headphone socket of your television.
3. Once connected to your TV, increase volume to 50% of the maximum for the best sound level. **

** Depending on your TV you may need to increase the headphone volume separately in the TV sound settings.

Wired connection guide: PS4 Controller only

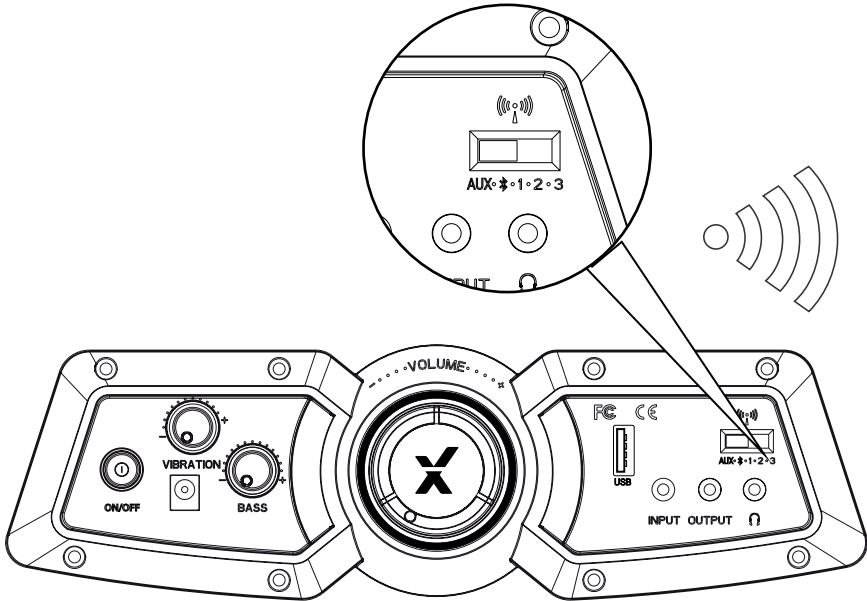


1. Connect the **B1** cable to the bottom of the PS4 controller via the headset socket.
2. Connect the other end of the **B1** cable to the chair via the green port.
3. With the PS4 turned on, go to the main menu (or locate the main menu screen). **Press and hold** the PS button on the PS4 controller until the quick menu appears on screen.
4. In this menu select **[Adjust sound and devices]**
5. Then select **[output to headphones]**
6. Change the setting from **[Chat Only]** to **[All audio]**
7. Make sure the volume in the previous menu is set to the maximum.
8. Set the control panel Wireless switch to the 'OFF' position.

Bluetooth connection guide

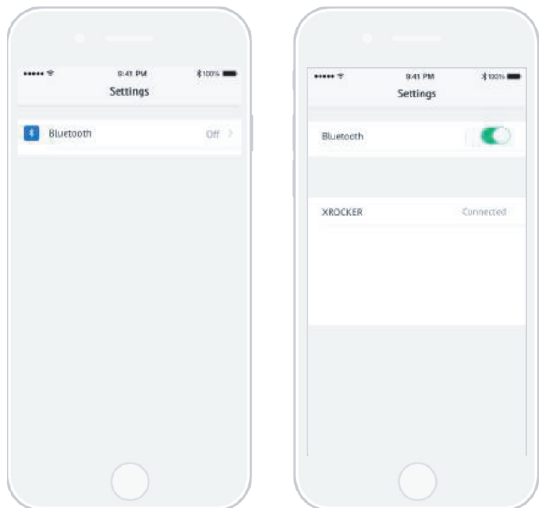
Step 1:

Switch the X Rocker Avanti's wireless switch to the Bluetooth position.



Step 2:

On the Audio output device go into its Bluetooth settings, turn Bluetooth on if it is not on already and search for **XROCKER**. Upon finding this, select the **XROCKER** option. If a passcode is required the four digit code will be **'0000'**.



Troubleshooting tips

| Issue | Troubleshooting steps |
|---|--|
| No power going to control panel | <ul style="list-style-type: none">• Make sure that the power cable is connected correctly.• Make sure that the power supply at the power source is working correctly.• With the chair turned to the ON position, give the power cable a slight wiggle in the port. If any lights flicker (or not) then please contact support (details below). |
| No sound | <ul style="list-style-type: none">• Review the connection methods on the previous page and try alternative connection methods if possible.• Confirm that the device/system is correctly configured as per previous connection guide.• Make sure that the wireless channel switcher is in the corresponding position that suits your connection method. (1,2,3 for wireless and AUX for wired connections). |
| Wireless transmitter cuts out during gameplay/No vibration or subwoofer sound via analogue connection | <ul style="list-style-type: none">• Please make sure that the volume of the source device is at a higher level to strengthen the audio signal. |
| The cables connected to my X Rocker have been broken accidentally | <ul style="list-style-type: none">• Please contact X Rocker support (service@XRockerNation.co.uk) regarding this issue. |
| Interference over wireless connection | <ul style="list-style-type: none">• In this case, try another of the three wireless bands to isolate the signal. |

Health and safety information

- Avoid immersing or allowing the X Rocker to come into contact with liquids.
- Please consult X Rocker Support before unscrewing any of the electrical components on the chair.
- Please be mindful of any cabling laid out between the X Rocker and power source/audio device.
- Please be mindful of cabling attached when moving/swivelling the X Rocker.
- If the cables or electrical equipment are broken then this may present a choking risk, please contact Support for replacements and dispose of these parts safely.
- Do not stand on the X Rocker or exceed the 120kg weight limit via other means.
- Do not lean back on the chair to the point in which the pedestal would lift off the ground.
- X Rocker armrests are designed for support and comfort during gameplay, please do not use these as support for getting in/out of the chair.
- Playing audio for long periods at loud volumes may contribute to difficulties in hearing.
- Please be considerate to others when playing audio through the X Rocker speakers at higher volumes.

Power supply safety information

ATTENTION:

- A. For Power Adapter, the apparatus shall not be exposed to dripping or splashing and that no objects filled with liquids, such as vases, shall be placed on the apparatus;
- B. For Power Adapter, the MAINS plug is used as the disconnect device, the disconnect device shall remain readily operable;
- C. Only use the attachments/accessories specified by manufacturer.

Power Supply unit trademark: BI;

Model name: B18-090200-I;

Input: 100-240V~, 50/60 Hz, 0.8 A;

Output: 9 VDC, 2A;

WARRANTY PAGE

Limited Warranty:

Ace Bayou warrants this product (including any accessories) against defects in material and workmanship for a period of 90 days from the date of purchase. This warranty is enforceable only by the original purchaser.

ALL DAMAGED OR MISSING PARTS MUST BE REPORTED WITHIN 14 DAYS OF PURCHASE.

This warranty covers all defects in material and workmanship in this product, but DOES NOT COVER the following:

1. Damage, deterioration or malfunction resulting from:
 - a. Acts of God, accident, misuse, abuse, negligence, improper installation, maintenance or operation, or failure to follow the instructions contained in this owner's manual.
 - b. Any damage in the shipment of the product. (Claims must be presented to the carrier.)
 - c. Repair, attempted repair, or modifications by anyone other than the Ace Bayou Service Center.
2. Any unit which has been modified or attempted to be modified or altered in any way whatsoever.
3. Normal wear and periodic maintenance.
4. Any unit used for industrial or commercial purposes (including rental).
5. Products sold AS IS or WITH ALL FAULTS, or consumables (such as fuses, batteries, etc)
6. Customer installation, set up adjustments, or signal reception problems.

Ace Bayou will repair or replace (at its discretion) units covered by this warranty without charge to the consumer for labor or materials. YOU ARE RESPONSIBLE FOR INITIAL SHIPPING CHARGES. However, we will pay the return shipping charges to any destination within the USA if repairs are covered by the warranty.

REPAIR OR REPLACEMENT AS PROVIDED UNDER THIS WARRANTY IS THE EXCLUSIVE REMEDY OF THE CONSUMER. ACE BAYOU SHALL NOT BE LIABLE FOR ANY INCIDENTAL OR CONSEQUENTIAL DAMAGES FOR BREACH OF ANY EXPRESSED OR IMPLIED WARRANTY ON THIS PRODUCT. EXCEPT TO THE EXTENT PROHIBITED BY APPLICABLE LAW, ANY IMPLIED WARRANTIES, INCLUDING WARRANTIES OF MERCHANTABILITY AND FITNESS FOR A PARTICULAR PURPOSE, ARE LIMITED IN DURATION TO THE LENGTH OF THIS WARRANTY.

Some states do not allow the exclusion or limitation of incidental or consequential damages, or allow limitations on how long an implied warranty lasts, so the above limitations may not apply to you.

Caution: The user is cautioned that changes or modifications not expressly approved by the party responsible for compliance could void the user's authority to operate the equipment.

FCC NOTE: This equipment has been tested and found to comply with the limits for a Class B digital device, pursuant to Part 15 of the FCC Rules. These limits are designed to provide reasonable protection against harmful interference in a residential installation. This equipment generates, uses and can radiate radio frequency energy and, if not installed and used in accordance with the instructions, may cause harmful interference to radio communications. However, there is no guarantee that interference will not occur in a particular installation.

If this equipment does cause harmful interference to radio or television reception, which can be determined by turning the equipment off and on, the user is encouraged to try to correct the interference by one or more of the following measures:

- Reorient or relocate the receiving antenna.
- Increase the separation between the equipment and receiver.
- Connect the equipment into an outlet on a circuit different from that to which the receiver is connected.
- Consult the dealer or an experienced radio/TV technician for help.

FCC Radiation Exposure Statement:

This equipment complies with FCC radiation exposure limits set forth for an uncontrolled environment.

This transmitter must not be co-located or operating in conjunction with any other antenna or transmitter.

IC

This device complies with Industry Canada licence-exempt RSS standard(s). Operation is subject to the following two conditions:

- (1) this device may not cause interference, and
- (2) this device must accept any interference, including interference that may cause undesired operation of the device.

Le présent appareil est conforme aux CNR d'Industrie Canada applicables aux appareils radio exempts. L'exploitation est autorisée aux deux conditions suivantes :

- (1) l'appareil ne doit pas causer d'interférences, et
- (2) l'utilisateur de l'appareil doit accepter tout brouillage radioélectrique subi, même si le brouillage est susceptible d'en compromettre le fonctionnement.

IC Radiation Exposure Statement:

This equipment complies with Canada radiation exposure limits set forth for uncontrolled environments.

This transmitter must not be co-located or operating in conjunction with any other antenna or transmitter.

Déclaration d'IC sur l'exposition aux radiations:

Cet équipement est conforme aux limites d'exposition aux radiations définies par le Canada pour des environnements non contrôlés.

Cet émetteur ne doit pas être installé au même endroit ni utilisé avec une autre antenne ou un autre émetteur.

Need Help? Email: service@acecasual.com Web: www.xrockernation.com Phone: 866-969-2603

**Need Help? Email: Service@XRockerNation.co.uk
Phone: 01274 683 109
www.XRockerNation.co.uk**

IMPORTANT: You must keep your original retail receipt as proof of purchase.