



Thank you for purchasing the X Rocker!

Welcome to the world of interactive audio. With your new X Rocker you can not only hear your music but actually FEEL it. Whether you are listening to music, watching a movie, or playing a game, you will become a part of it. We know you will enjoy your X Rocker experience!

Get ready to experience sound as you never have before!

**Do not return this product to the store.
Email service@acebayou.com or call
866-969-2603/931.359.2603 for trouble shooting advice.**

IMPORTANT: You must keep your original retail receipt as proof of purchase.

HAVE THIS ITEM NUMBER READY WHEN CONTACTING CUSTOMER SERVICE: # 9325301, 9325401, 9325501, 9325601, 9325701

Need Help? Email: service@acebayou.com Web: www.thexrocker.com Phone: 866-969-2603



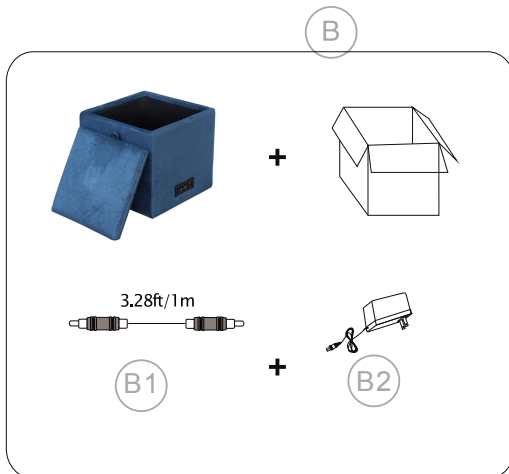
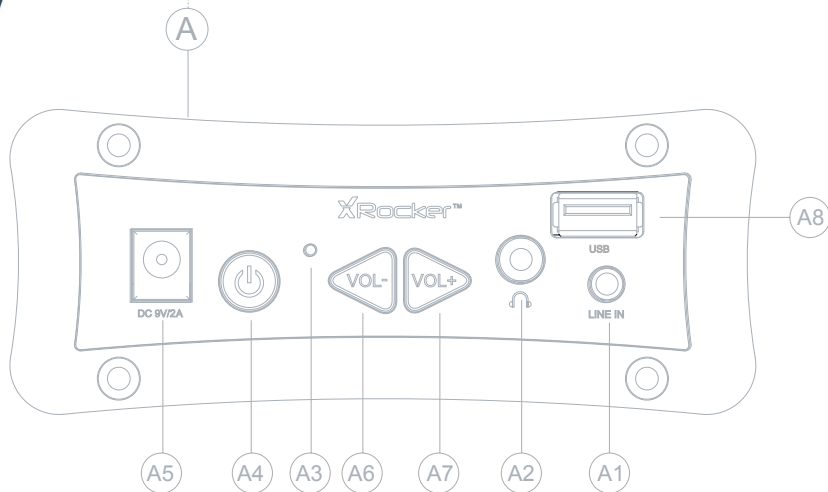
FEATURES

A-Control panel

- A1-Audio Input Jack
- A2-Headphone Jack
- A3-Power Indicator Light
- A4-Power On / Off Button
- A5-9V DC Power input jack
- A6-Volume "+" Button
- A7-Volume "-" Button
- A8-USB Power Port

B-Accessories Supplied

- B1-1m 3.5mm stereo male to 3.5mm stereo male cable(1PC)
- B2- INPUT:100-240V AC 50/60Hz
OUTPUT:9V DC 2000mA Main POWER Adapter.



C-Audio Specifications

1.The unit specifications:

- 1)Signal -to-Noise Ratio(Amplifier):
Subwoofer:> 50dB
Satellite:>60dB
- 2)Frequency Response:60Hz~15kHz
- 3)Distortion:Subwoofer:< 4%(F= 100Hz)
Satellite:< 1%(F= 1 kHz)
- 4)Input:DC9V ---2A

* Some parts may vary slightly

FUNCTIONS:

- Doubles as storage with the top lifting off to give you added storage space inside.
- Side control panel with volume, input/output jacks, and band switch.
- Headphone Jack for personal use.
- Connect most Bluetooth devices to your X Rocker.
- Control your music from your Bluetooth device.
- Easily connect your Bluetooth device without going near the X Rocker.

ATTENTION:

- USB port only can be used to charge electronic devices.
- Bluetooth connection has a 30 feet / 10 meters range of virtually unlimited wireless listening in your home.
- Your X-Rocker Bluetooth enabled ottoman is enabled to pair with the majority of Bluetooth enabled devices, however certain gaming consoles limit the ability of their Bluetooth technology to connect with 3rd party devices.

READ BEFORE USE:

- Keep these instructions for future reference.
- Heed all warnings.
- Follow all instructions.
- Do not use the chair near water.
- Clean only with dry cloth.
- Do not block any ventilation openings, Install in accordance with these instructions.
- Do not install near any heat sources such as radiators, heat registers, stoves, or other apparatus(including amplifiers) that produce heat.
- Do not defeat the safety purpose of the polarized or grounding-type plug. A polarized plug has two blades with one wider than the other. A grounding type has two blades and a third grounding prong. The wide blade or the third prong are provided for your safety. If the provided plug does not fit into your outlet, consult an electrician for replacement of the obsolete outlet.
- Protect the power cord from being walked on or pinched particularly at plugs, convenience receptacles, and the point where they exit from the chair.
- Only use attachments/accessories specified by the manufacturer.
- Use only with the cart, stand, tripod, bracket, or table specified by the manufacturer, or sold with the chair, When a cart is used, use caution when moving the cart/chair combination to avoid injury from tip-over.
- Unplug this chair during lightning storms or when unused for long periods of time.
- Refer all servicing to qualified service personnel, Servicing is required when the chair has been damaged in any way, such as power-supply cord or plug is damaged, liquid has been spilled or objects have been fallen into the chair, the chair has been exposed to rain or moisture, does not operate normally, or has been dropped.
- Always make sure the top is in position before sitting in the ottoman.
- Excessive use of audio equipment could lead to hearing loss.
- Excessive sound pressure from earphones and headphones can cause hearing loss.
- Children under the age of 13 should not use this product without adult supervision.
- Strictly for indoor use. Do not expose to direct sunlight,moisture or extreme temperatures.
- if the cover becomes wet, disconnect the power immediately and don't use until it is completely dry.
- Do not attempt to remove the cover or any components. Removal of the cover or tampering with components puts you at risk for injury or death from electrical shock.
- The apparatus shall not be exposed to dripping or splashing and that no objects filled with liquids, such as vases, shall be placed on the chair.
- The MAINS plug or an appliance coupler is used as the disconnect device, the disconnect device shall remain readily operable.

SET UP:

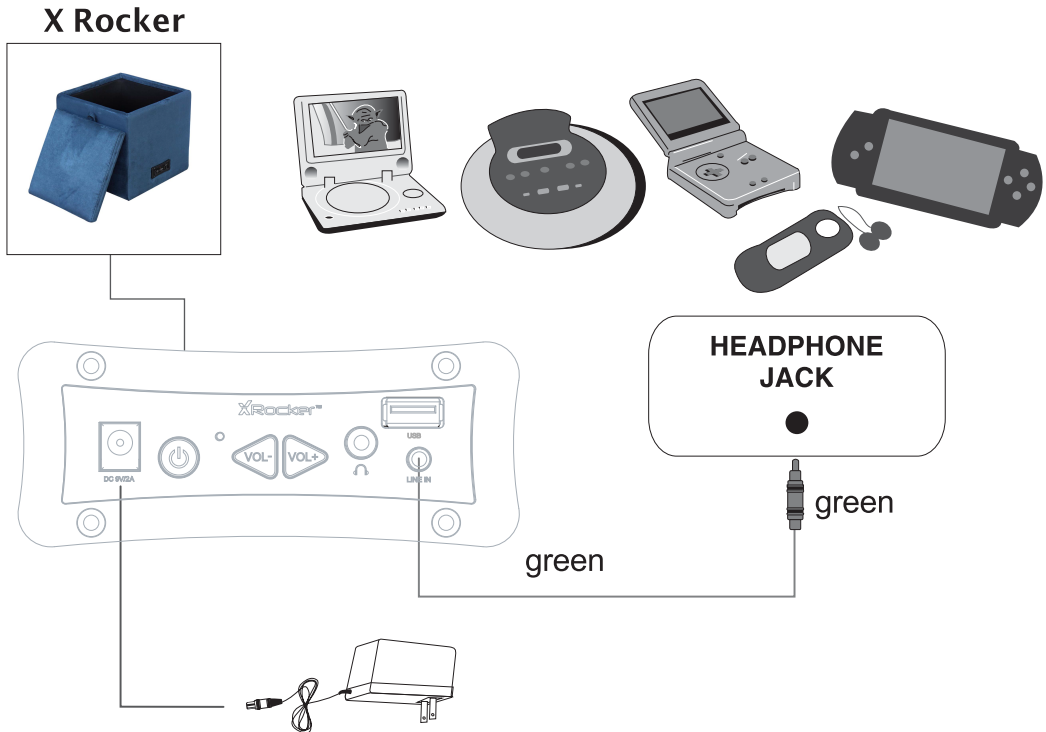
1. Lift X Rocker ottoman out of box.
2. Review the set up diagrams to familiarize yourself with the X Rocker's components, accessories, and set-up.
3. Unpack the power adapter and connect it to the main power outlet, then to the power jack on the control panel(A5).
4. Press the power button(A4) and confirm that the power indicator light(A3) is on.
5. Follow the connection diagrams. They show how to connect the X Rocker to the audio source of your choice.
6. Adjust the volume levels to your preference...start rocking.

WIRE MODE CONNECTION GUIDE

DIAGRAM

PORTABLE DEVICES

MP3/CD/DVD/GAMES/PSP/IPOD/IPAD



Need Help? Email: service@acebayou.com Web: www.thexrocker.com Phone: 866-969-2603

BLUETOOTH MODE CONNECTION GUIDE

DIAGRAM

BLUETOOTH DEVICE



Pairing your X Rocker:

Only 1 device can be paired to X Rocker at a time, to pair X Rocker with a mobile device, refer to the Bluetooth pairing procedurs in corresponding mobile phone or music player user manual and follow the steps below:

- Make sure there are no wires or leads that are inserted into your device before using Bluetooth.
- Make sure the blue Bluetooth indicator light on the control panel is flashing quickly.
- Select the device name " X Rocker " on the screen of your device, add the unit to your device's paired device list.
- When pairing is successful, the blue indicator(A3) will stay on, if you play music, the indicator(A3) will be flashing slowly.
- Confirm the connection on your device.
- Your X Rocker is now connected and ready to play music! Just play music on your device as you normally would and the sound will came out of X Rocker!

Keep in mind that X Rocker has a 30 feet / 10 meters range.

Reconnecting your device:

If you move out of range, or turn off the Bluetooth feature on your mobile device, X Rocker will disconnect from your device. To reconnect, simply move back into the range and / or turn on the Bluetooth feature on your mobile device.

Changing connected device:

If you want to switch from one device to another, follow the steps below:

- End the existing Bluetooth connection with the connected device, access the Bluetooth Manager and disable the Bluetooth function of the device.
- The X Rocker can now be connected to a different device.
- Follow the directions in " Pairing your X Rocker " to connect a different device.

Out of range or lost signal:

If the music device is out of range (beyond 30 feet / 10 meters) of the X Rocker, or there is something blocking the Bluetooth siginal, the LED light will be flashing quickly to indicate that the Bluetooth connection with the music device has been lost.

To avoid a lost connection:

- Move the music device back into the range (within 30 feet / 10 meters), and / or make sure there is a clear line of sight and that there are no obstructions between the X Rocker and the music device.
- The connection will automatically be re-established and the blue LED light will be turn on, for your own device, you need to re-start your music player.

Bluetooth License

The Bluetooth® word mark and logos are registered trademarks owned by Bluetooth SIG Inc. and any use of such marks by Ace Bayou Corporation is under license. Other trademarks and trade names are those of their respective owners.

Need Help? Email: service@acebayou.com Web: www.thexrocker.com Phone: 866-969-2603

TROUBLE SHOOTING

-Unable to connect to game console-

Most gaming consoles are shipped from the manufacturers with an Audio/Video RCA cable. The A/V RCA cable has three RCA plugs: a video plug(yellow) and two audio plugs(red and white). If your gaming console came with an A/V RCA cable, please follow the instructions supplied by the manufacturer for setting it up and connecting it to the TV. Please note that you must leave the red and white audio jacks on the A/V cable UNCONNECTED. Once the console is properly connected to your TV, please follow the diagram in the illustrated X Rocker Set-up guide to connect the gaming console to the X Rocker. If your gaming console was shipped with a coaxial cable, Instead of an A/V RCA cable, you must follow an alternate set-up procedure (coaxial cable is the same type of cable that is used to connect a VCR to the TV). You will quickly recognize if your gaming console uses this type of cable. It connects the gaming console directly to the television and carries both the audio and video signal over a single cable, if your gaming console uses a coaxial cable, you CAN NOT connect it directly to the X Rocker. Instead, you must use an intermediary A/V device(such as a TV,VCR,DVD,TIVO,etc).

- a. Connect your gaming console to the intermediary A/V device via the coaxial cable.
- b. Connect the X Rocker to the 'Audio Out' jack on the intermediary A/V device.
- c. Follow diagram 2 in the X Rocker Set-up guide to connect the X Rocker to the intermediary A/V device and finalize the setup.

If your gaming console is attached to an HD TV with an HDMI cable, you will need to connect the chair using either the audio out jacks on the back of the TV or by plugging into the headphone jack on the front of the TV.

-Unable to hear any sound from the X Rocker-

1. Check to ensure that the power adapter is properly connected to the power jack(A5). When properly connected, the indicator light(A3) on the control panel should be flashing quickly when the power button(A4) is turned on. If the indicator light(A3) does not light up, try to use another power outlet in your home.
2. Make sure the power unit is turned on and indicator light on the control panel is lit. If it is flashing quickly, please press the power switch on the control panel.
3. When you use Bluetooth mode:
 - Make sure that there is no wired line that insert in your device before using Bluetooth.
 - Make sure the volume of X Rocker and the volume of mobile music device is set to a comfortable listening level.
 - Make sure you are within range of the X Rocker and your mobile music device is connected via Bluetooth technology with the X Rocker.
4. Once you have successfully completed 1 – 3. Please review the X Rocker illustrated set-up guide. Double check all audio connections. Finally, check that the volume on the hand remote is turned to an audible level on both the TV and the chair.
5. If you have completed 1 – 4 and still do not hear sound, try connecting another audio source(CD player, television,VCR or game console) and go through the steps again. Still not working? Help is as easy as 1.2.3:
 1. Go to www.thexrocker.com for FAQ answers.
 2. Email service@acebayou.com
 3. Call our customer service department at 866.969.2603 or 931.359.2603. Office hours are 8:30am to 5:00pm central standard time.

DO NOT SHIP ANYTHING TO US WITHOUT CONTACTING US FIRST. DO NOT SHIP ANY PARTS OR WHOLE UNITS TO THIS ADDRESS FOR REPAIR WITHOUT OUR CONFIRMATION.

For service assistance, product information, or to locate a dealer nearest you, please call or write to:

Ace Bayou Corp.
PO Box 1853
Lewisburg, TN 37091
1-866-969-2603
Service@acebayou.com

Need Help? Email: service@acebayou.com Web: www.thexrocker.com Phone: 866-969-2603

WARRANTY PAGE

Limited warranty:

Ace Bayou warrants this product(including any accessories) against defects in material and workmanship for a period of 90 days from the date of purchase. This warranty is enforceable only by the original purchaser. ALL DAMAGED OR MISSING PARTS MUST BE REPORTED WITHIN 14 DAYS OF PURCHASE .

This warranty covers all defects in material and workmanship in this product, but DOES NOT COVER the following:

1. Damage, deterioration or malfunction resulting from:
 - a. Acts of God, accident, misuse, abuse, negligence, improper installation, maintenance or operation, or failure to follow the instructions contained in this owner's manual.
 - b. Any damage in the shipment of the products. (Claims must be presented to the carrier).
 - c. Repair, attempted repair, or modifications by anyone other than the Ace Bayou Service Center.
2. Any unit which has been modified or attempted to be modified or altered in anyway whatsoever.
3. Normal wear and periodic maintenance.
4. Any unit used for industrial or commercial purposes (including rental).
5. Products sold AS IS or WITH ALL FAULTS, or consumables (such as fuses, batteries, etc).
6. Customer installation, set up adjustments, or signal reception problems.

Ace Bayou will repair or replace (at its discretion) units covered by this warranty,without charge to the consumer for labor or materials, YOU ARE RESPONSIBLE FOR INITIAL SHIPPING CHARGES, However, we will pay the return shipping charge to any destination within USA if repairs are covered by the warranty.

REPAIR OR REPLACEMENT AS PROVIDED UNDER THIS WARRANTY IS THE EXCLUSIVE REMEDY OF THE CONSUMER. ACE BAYOU SHALL NOT BE LIABLE FOR ANY INCIDENTAL OR CONSEQUENTIAL DAMAGES FOR BREACH OF ANY EXPRESSED OR IMPLIED WARRANTY ON THIS PRODUCT. EXCEPT TO THE EXTENT PROHIBITED BY APPLICABLE LAW, ANY IMPLIED WARRANTIES, INCLUDING WARRANTIES OF MERCHANTABILITY AND FITNESS FOR A PARTICULAR PURPOSE, ARE LIMITED IN DURATION TO THE LENGTH OF THIS WARRANTY.

Some states do not all the exclusion or limitation of incidental or consequential damages, or allow limitations on how long a implied warranty lasts, so the above limitations may not apply to you.

Caution: The user is cautioned that changes or modifications not expressly approved by the party responsible for compliance could void the user's authority to operate the equipment.

FCC NOTE: This equipment has been tested and found to comply with the limits for a Class B digital device, pursuant to Part 15 of the FCC Rules. These limits are designed to provide reasonable protection against harmful interference in a residential installation. This equipment generates, uses and can radiate radio frequency energy and, if not installed and used in accordance with the instructions, may cause harmful interference to radio communications. However, there is no guarantee that interference will not occur in a particular installation.

If this equipment does cause harmful interference to radio or television reception, which can be determined by turning the equipment off and on, the user is encouraged to try to correct the interference by one or more of the following measures:

- Reorient or relocate the receiving antenna.
- Increase the separation between the equipment and receiver.
- Connect the equipment into an outlet on a circuit different from that to which the receiver is connected.
- Consult the dealer or an experienced radio/TV technician for help.

FCC Radiation Exposure Statement:

This equipment complies with FCC radiation exposure limits set forth for an uncontrolled environment. This transmitter must not be co-located or operating in conjunction with any other antenna or transmitter.

Operation is subject to the following two conditions:

1. This device may not cause harmful interference,
2. This device must accept any interference received, including interference that may cause undesired operation.

IC

This device complies with Industry Canada licence-exempt RSS standard(s). Operation is subject to the following two conditions:

- (1) this device may not cause interference, and
- (2) this device must accept any interference, including interference that may cause undesired operation of the device.

Need Help? Email: service@acebayou.com Web: www.thexrocker.com Phone: 866-969-2603