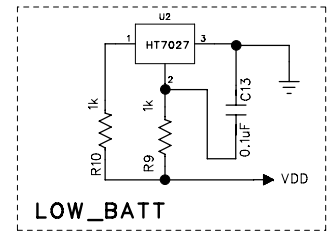
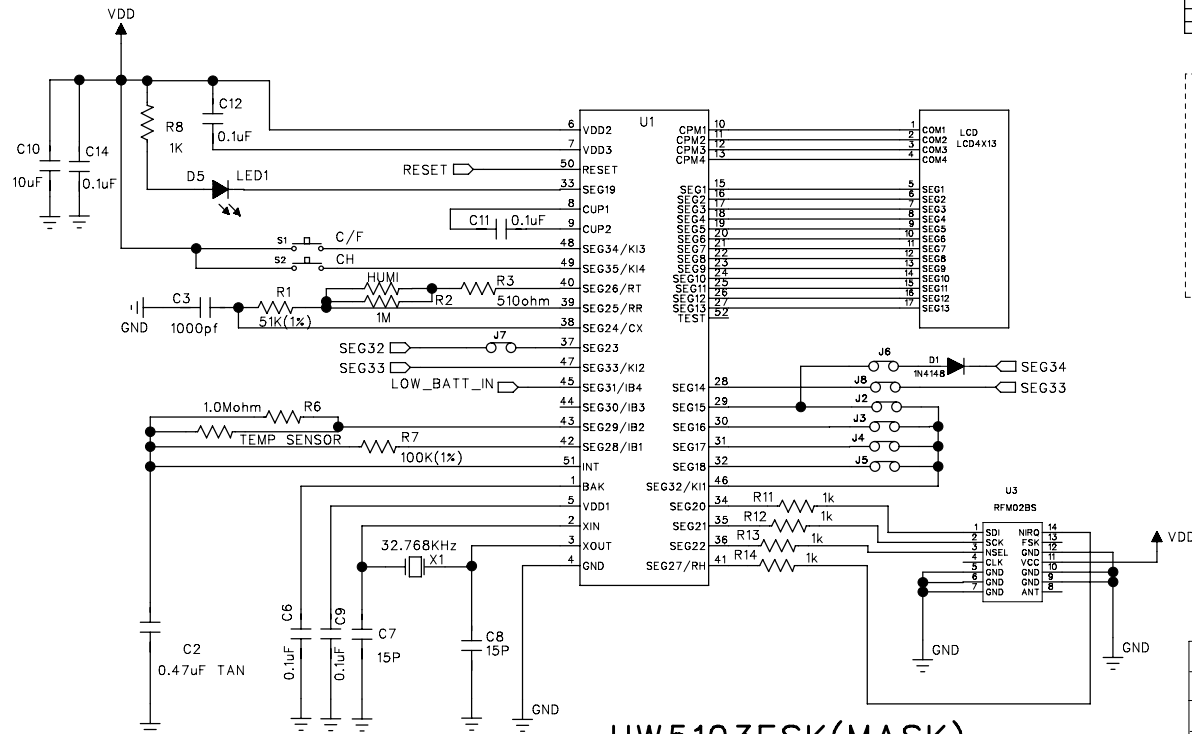
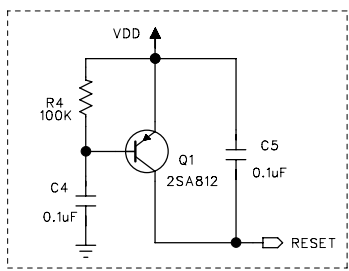


REVISION RECORD			
REV	ECO/Reason	APPRD	DATE
0	Release for production		



### HW5103FSK(MASK)



J6 J8 J7	000	0x
J6 J8 J7	001	+2%
J6 J8 J7	010	+4%
J6 J8 J7	011	+6%
J6 J8 J7	100	-2%
J6 J8 J7	101	-4%
J6 J8 J7	110	-6%
J6 J8 J7	111	-6%

### RH\_OFFSET

J1	OPEN	C
J1	CLOSE	F
J4 J5	0 0	Channel 1
J4 J5	1 0	Channel 2
J4 J5	0 1	Channel 3
J4 J5	1 1	KEY CORTROL CHANNEL
J2 J3	1 0	FSK4.33MHZ
J2 J3	0 1	FSK868MHZ
J2 J3	1 1	FSK915MHZ
J2 J3	0 0	-----

DESIGN:	DATE:	Only Well ELECTRICAL CO.LTD	
CHECKED:	DATE:	MODELNO:	HW5103FSK(MASK) REV:0
APPROVAL:	DATE:	FILE NAME:	HW5103FSK(MASK).SCH PAGE NO.